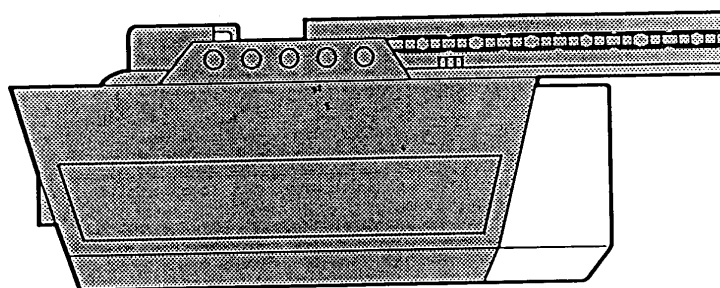


SEARS / CRAFTSMAN®

Garage Door Opener

Owner's Manual

FOR RESIDENTIAL USE ONLY



Models:

- 139.536251SR - 1/2 HP
- 139.536181SR - 1/2 HP
- 139.536191SR - 1/2 HP
- 139.536151SR - 1/2 HP
- 139.536141SR - 1/2 HP

CAUTION! PLEASE READ THIS MANUAL CAREFULLY

The MODEL NUMBER label is located on the front panel of your opener.
 THIS DEVICE COMPLIES WITH FCC RULES PART 15. Operation of this device is subject to the following two conditions: 1. This device may not cause harmful interference. 2. This device must accept any interference that may be received, including interference that may cause undesired operation.

CONTENTS	PAGE	CONTENTS	PAGE
Safety Rules.....	2	Force Adjustments.....	21
Features of Your Opener	3	Safety Reverse Test.....	22
Specifications	3	The Protector System Accessory	22
Tools You'll Need	3	Setting/Changing Code.....	23
Completed Installation Illustrations	4	Having a Problem?.....	24
Operation of Your Opener	5	Carton Contents & Hardware Illustrated.....	26
Accessories.....	5	Repair Parts, Rail Assembly	26
Care and Maintenance of Your Opener.....	6	Repair Parts, Installation	26
Assembly Instructions.....	7	Repair Parts, Chassis Assembly	27
Installation Instructions	10	How to Order Repair Parts	28
Travel Limit Adjustments	20	Warranty	28

PERIODIC CHECKS OF THE OPENER ARE REQUIRED TO INSURE SATISFACTORY OPERATION.
 FASTEN THIS MANUAL NEAR THE GARAGE DOOR AFTER INSTALLATION.

START BY READING THESE IMPORTANT SAFETY RULES



THIS SAFETY ALERT SYMBOL MEANS **CAUTION—PERSONAL SAFETY OR PROPERTY DAMAGE INSTRUCTION**. READ THESE INSTRUCTIONS CAREFULLY.

THIS GARAGE DOOR OPENER IS DESIGNED AND TESTED TO OFFER REASONABLY SAFE SERVICE PROVIDED IT IS INSTALLED AND OPERATED IN STRICT ACCORDANCE WITH THE FOLLOWING SAFETY INSTRUCTIONS.

FAILURE TO COMPLY WITH THE FOLLOWING INSTRUCTIONS MAY RESULT IN SERIOUS PERSONAL INJURY OR PROPERTY DAMAGE.

CAUTION: IF YOUR GARAGE HAS NO SERVICE ENTRANCE DOOR, INSTALL MODEL 7702 EMERGENCY RELEASE KEYLOCK. THIS ACCESSORY ALLOWS MANUAL OPERATION OF THE GARAGE DOOR FROM OUTSIDE IN CASE OF POWER FAILURE.



KEEP GARAGE DOOR BALANCED. Sticking or binding doors must be repaired. Garage doors, door springs, cables, pulleys, brackets and their hardware are under extreme tension and can cause serious personal injury. **DO NOT ATTEMPT TO LOOSEN, MOVE OR ADJUST THEM.** Call for garage door service.



THE SAFETY REVERSE SYSTEM TEST IS VERY IMPORTANT (page 22). Your garage door **MUST** reverse on contact with a 1-inch obstacle placed on the floor. Failure to properly adjust the opener may result in serious personal injury from a closing garage door. **REPEAT THE TEST ONCE A MONTH AND MAKE ANY NEEDED ADJUSTMENTS.**



DO NOT WEAR RINGS, WATCHES OR LOOSE CLOTHING while installing or servicing a garage door opener.



Fasten the **CAUTION LABEL** adjacent to the door control button as a reminder of safe operating procedures.



To avoid serious personal injury from entanglement, **REMOVE ALL THE ROPES CONNECTED TO GARAGE DOOR** before installing the garage door opener.



Install door control button (or any additional push buttons) **IN A LOCATION WHERE GARAGE DOOR IS VISIBLE, BUT OUT OF THE REACH OF CHILDREN.** **DO NOT ALLOW CHILDREN TO OPERATE PUSH BUTTON(S) OR REMOTE CONTROL TRANSMITTER.** Serious personal injury from a closing garage door may result from misuse of the opener.



DISENGAGE ALL EXISTING GARAGE DOOR LOCKS to avoid damage to garage door.



Installation and wiring must be in compliance with your local building and electrical codes. **CONNECT THE POWER CORD ONLY TO A PROPERLY GROUNDED OUTLET.**



CAUTION: Activate opener only when the door is in full view, free of obstructions and opener is properly adjusted. **NO ONE SHOULD ENTER OR LEAVE THE GARAGE WHILE DOOR IS IN MOTION. DO NOT ALLOW CHILDREN TO PLAY NEAR THE DOOR.**



LIGHTWEIGHT DOORS OF FIBERGLASS, ALUMINUM OR STEEL MUST BE SUBSTANTIALLY REINFORCED TO AVOID DOOR DAMAGE. (See page 17.) The best solution is to check with your garage door manufacturer for an opener installation reinforcement kit.



Use manual release **ONLY** to disengage the trolley and, if possible, **ONLY** when the door is closed. **DO NOT USE THE RED HANDLE TO PULL DOOR OPEN OR CLOSED.**



DO NOT USE THE FORCE ADJUSTMENTS TO COMPENSATE FOR A BINDING OR STICKING garage door. Excessive force will interfere with the proper operation of the safety reverse system or damage the garage door (page 21).



DISCONNECT ELECTRIC POWER TO GARAGE DOOR OPENER BEFORE MAKING REPAIRS OR REMOVING COVERS.

Before you begin, please check the contents of the carton. Illustrations of parts and hardware are shown on Pages 26 and 27. Separate the hardware for assembly and installation as shown.

FEATURES OF YOUR OPENER

- 1. Opener Light(s):** Turns on and off automatically with 4-1/2 minute illumination for your safety and convenience.
- 2. Manual Release Handle:** Pull cord disconnect permits manual door operation in case of an emergency or power failure.
- 3. Safety System:** Independent up and down force adjustment. The door REVERSES automatically when obstructed in DOWN direction. The door STOPS when obstructed in UP direction.
- 4. Motor Power:** Permanently lubricated motor with automatic reset.
- 5. Automatic Reconnect:** Trolley halves reconnect for automatic operation when opener is activated after a manual disconnect.
- 6. Digital Radio Controls:** Codes can be set and changed easily and as often as you would like.
- 7. Easy Limit Adjustment:** Limits of door opening and closing adjusted by turning screws without removing opener covet.

MOTOR

TypePermanent split capacitor
 Speed1500 rpm
 Volts.....120 Volts AC - 60 Hz. Only
 Current.....4.5 amperes

DRIVE MECHANISM

Gears.....16:1 worm gear reduction
 Drive.....Chain & cable with two-piece trolley on steel T-rail
 Length of travel..... Adjustable to 7 1/2 feet
 Travel rate..... 6 to 8 inches per second
 Lamp.....On when door starts to travel. off 4/2 minutes after stop, Model 5000 has separate Light Switch feature.
 Door linkage.....Adjustable door arm. Pull cord trolley release.

SAFETY

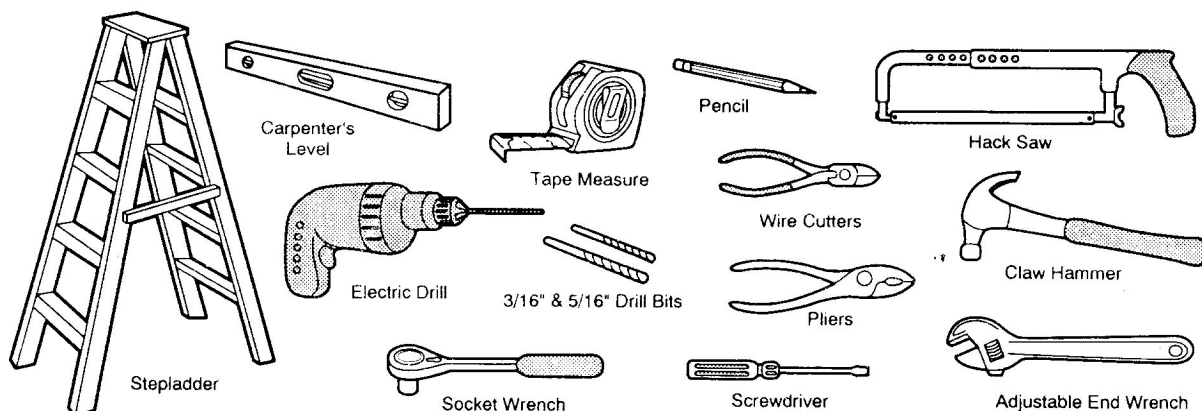
Personal.....Push button and automatic reversal in DOWN direction. Push button and automatic stop in UP direction
 Electronic.....Independent UP and DOWN force adjustment screws
 Electrical.....Motor overload protector & low voltage push button wiring
 Limit device.....Circuit actuated by limit nut
 Limit adjustment.....screwdriver adjustment on side panel
 Start circuit.....Low voltage door button or radio control

DIMENSIONS

Length (overall).....124 inches
 128 inches
 Headroom required.....2 inches
 Hanging weight.....32 pounds

YOU'LL NEED TOOLS

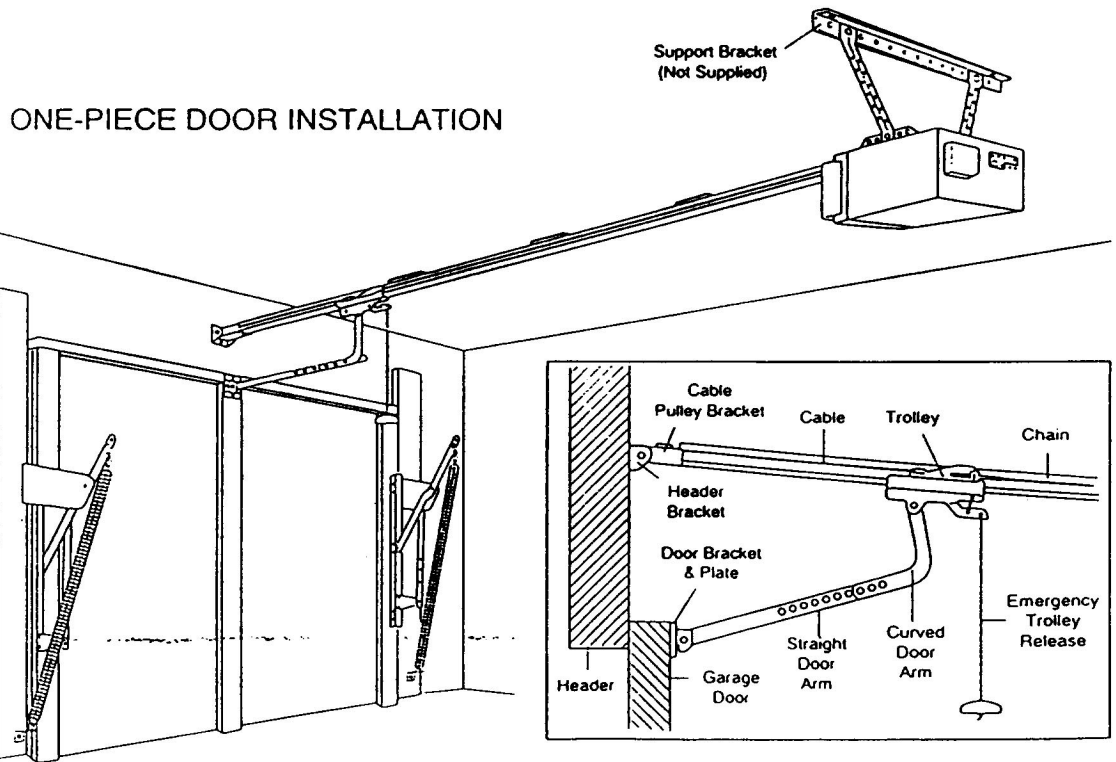
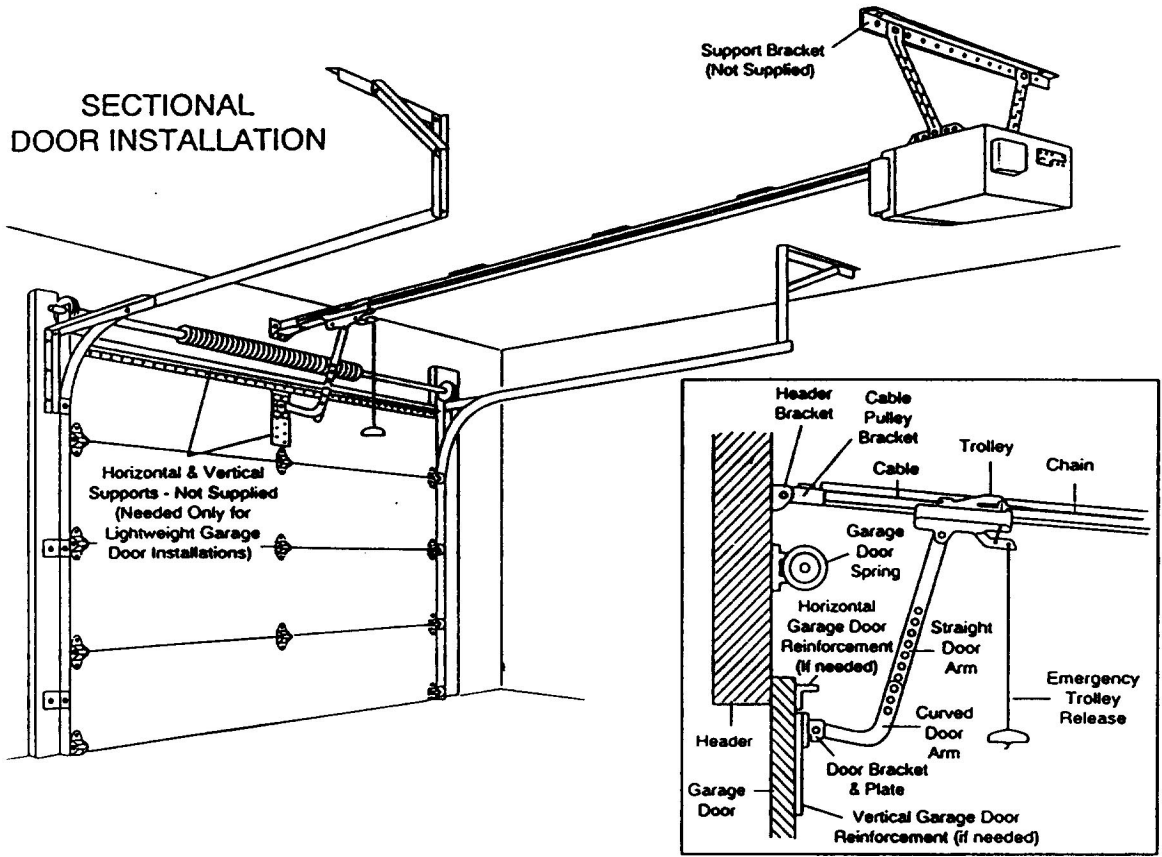
During assembly and installation of your opener, instructions will call for the use of various hand tools shown below



BEFORE YOU BEGIN, PLEASE TAKE SOME TIME TO CAREFULLY EXAMINE THE ILLUSTRATIONS OF A TYPICAL GARAGE DOOR OPENER INSTALLATION ON BOTH A SECTIONAL AND A ONE-PIECE DOOR.

Some installation instructions vary for sectional and one-piece doors. Follow only those Instructions which apply to your door type. Do you have a finished ceiling in your garage? If so, you will need a support bracket and additional fastening hardware. Refer to Step 4, Page 13 for specific requirements.

Do you have a lightweight or metal door (or does it have glass panels)? If so, horizontal and vertical reinforcement is required. Refer to Step 8, Page 17.



Operation of Your Opener

CAUTION

- *BEFORE YOU PROCEED, PLEASE READ SAFETY RULES ON PAGE 2 AND THE OPERATING INSTRUCTIONS ON THIS PAGE CAREFULLY*
- *TO AVOID DIFFICULTY DURING INSTALLATION, DO NOT RUN OPENER UNTIL INSTRUCTED TO DO SO.*

- *DO NOT PERMIT CHILDREN TO PLAY IN THE AREA OF THE DOOR.*
- *OPERATE ONLY WHEN OPENER IS PROPERLY ADJUSTED AND THE DOOR IS VISIBLE AND UNOBSTRUCTED.*

HOW TO ACTIVATE THE OPENER

Use any of the following devices:

1. **The Remote Control Transmitter.** Hold the push button down until the door starts to move.
2. **The Door Control Button.** Hold the button down until the door starts to move.
3. **The Key Switch or Wireless Keyless Entry System** (if you have installed either of these accessories).

HOW TO OPERATE THE DOOR MANUALLY

DOOR SHOULD BE FULLY CLOSED IF POSSIBLE. WEAK OR BROKEN SPRINGS COULD ALLOW AN OPEN DOOR TO FALL RAPIDLY. PROPERTY DAMAGE OR SERIOUS PERSONAL INJURY COULD RESULT. DO NOT USE MANUAL RELEASE HANDLE TO PULL DOOR OPEN OR CLOSED.

Disconnect door from opener by pulling down sharply on red handle. Lift door manually. To automatically reconnect door to opener, press Door Control Button.

LOCKOUT FEATURE: prevents trolley from reconnecting automatically. If you need to use this feature, pull Manual Release Handle down and back (toward opener). Trolley will remain "Locked-Out" and door can be raised and lowered manually. To reconnect trolley, Dull Manual Release Handle straight down.

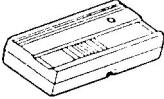
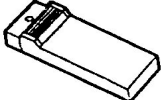


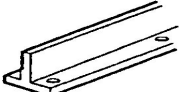

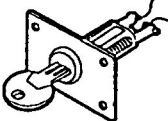
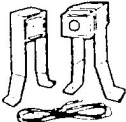
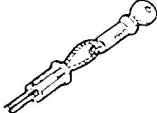
OPENER LIGHT(S) will turn on under the following conditions: when the opener is initially plugged in; when the power is interrupted; when the opener is activated. Light(s) turns off automatically after minutes. Bulb size is 75 Watts maximum.

If the Multi-Function Control Panel (with the Light Switch Feature) is installed, the light can remain ON or turn OFF before the automatic cycle is completed, if desired.

HOW DOOR MOVES WHEN OPENER ACTIVATES:

1. If open, door will close. If closed, door will open.
2. if closing, the door will reverse.
3. It opening, the door will stop (allowing space for entry and exit of pets and for fresh air).
4. If the door has been stopped in a partially open position, it will close.
5. If an obstruction is encountered while closing, the door will reverse.
6. If an obstruction is encountered while opening, the door will stop.
7. The optional Protector System™ uses an invisible beam which, when broken by an obstruction, causes a closing door to open and prevents an open door from closing. It is **STRONGLY RECOMMENDED** for homeowners with young children

ACCESSORIES AVAILABLE FOR YOUR OPENER

<p>Model 753CB</p> 	<p>Standard Multi-Function Remote The Multi-function remote control transmitter can activate one or more door openers and/or light controls.</p>	<p>Model 740CB</p> 	<p>Wireless Keyless Entry System Enables homeowner to operate garage door opener from outside by entering code on specially designed keypad.</p>
<p>Models 756CB & 756GMH Mini Multi-Function Remote</p> 	<p>Model 750CB Single-Function Remote with visor clip</p> 	<p>Model 7704CB - 8' Model 7710CB -10'</p> 	<p>T-rail Extension Kit With a longer section of T-rail & a chain/cable assy. to allow 8 foot or 10 foot doors to open fully.</p>
<p>Model 745CB</p> 	<p>Multi-Function Control Panel Provides a Lock Switch which prevents operation of garage door opener from remotes and a Light Switch for constant light.</p>	<p>Model 760CB</p> 	<p>Outdoor Key Switch Opens garage door automatically from outside when remote control transmitter is not handy.</p>
<p>Model 70</p> 	<p>'The Protector System' Provides auxiliary support to the safety features built into your opener. The system's invisible beam, when broken by an obstruction, causes a closing door to open and prevents an Open door from closing.</p>	<p>Model 7702CB</p> 	<p>Emergency Release Keylock REQUIRED for a garage with NO service door. Allows manual operation of garage door from outside in case of power failure.</p>

CARE OF THE OPENER

When properly installed on a door which is in balance and in good repair, opener will provide high performance with a minimum of maintenance. The opener does not require additional lubrication.

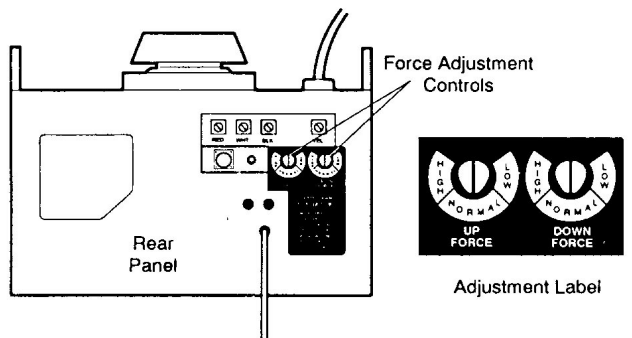
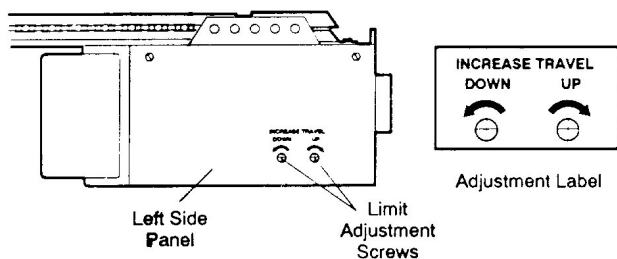
Most complaints of unsatisfactory opener operation can be traced to problems with the door itself. When operated manually, a properly balanced door will stay in any point of travel while being supported entirely by its springs.

THE OPENER IS NOT INTENDED TO CORRECT ANY PROBLEMS THAT ARE CAUSED BY AN UNBALANCED OR BINDING DOOR, BROKEN DOOR SPRINGS OR BY FAULTY DOOR HARDWARE.

LIMIT AND FORCE ADJUSTMENTS: These adjustments must be checked and properly set when opener is installed. Only a screwdriver is required. Pages 20 and 21 refer to the limit and force adjustments. Follow the instructions carefully.

REPEAT THE SAFETY REVERSE TEST AFTER ANY ADJUSTMENT. Weather conditions may cause some minor changes in the door operation, requiring some readjustments, particularly during the first YEAR of operation.

THE SAFETY REVERSE SYSTEM IS IMPORTANT (SEE Pg.22). GARAGE DOOR MUST REVERSE ON CONTACT WITH A 1-INCH OBSTACLE PLACED ON THE FLOOR. FAILURE TO PROPERLY ADJUST OPENER MAY RESULT IN SERIOUS PERSONAL INJURY FROM A CLOSING GARAGE DOOR.



CHAIN TENSION ADJUSTMENT: After installation of the opener and adjustment of forces and limits, the chain may appear loose. This is normal.

TO CHECK THE Chain TENSION: Disconnect the trolley by pulling the red handle. If the chain returns to the position described and illustrated in Step 4 page 9. DO NOT make ANY further adjustments.

REMOTE CONTROL TRANSMITTER: The portable remote control may be secured to a car sun visor with the clip provided. Additional remotes can be purchased at any time for use in all vehicles using garage. Refer to Accessories on page 5.

Any new remotes must be set to the same code as the original remote. Code setting procedures are described on page 23.

REMOTE CONTROL BATTERY: The 12 Volt battery should produce power for at least one year. As long as there is adequate power, the transmitter battery test light will glow when the push button is pressed (and the opener will operate). When the light becomes dim or does not come on, replace the battery. If transmission range lessens, check the battery test light.

TO CHANGE BATTERY: Slide the battery compartment cover back. Discard the old battery and position the new battery as indicated on the case.

MAINTENANCE OF YOUR OPENER

ONCE A MONTH

MANUALLY OPERATE DOOR. If it is unbalanced or binding, call for professional garage door service.

CHECK TO BE SURE DOOR OPENS & CLOSES FULLY. Adjust Limits and/or Force if necessary.

REPEAT SAFETY REVERSE TEST. Make any necessary adjustments (See Page 22).

TWICE A YEAR

CHECK CHAIN TENSION. Adjust if necessary.

ONCE A YEAR

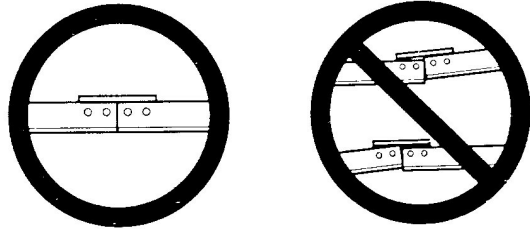
OIL DOOR ROLLERS, BEARINGS AND HINGES

ASSEMBLY STEP 1

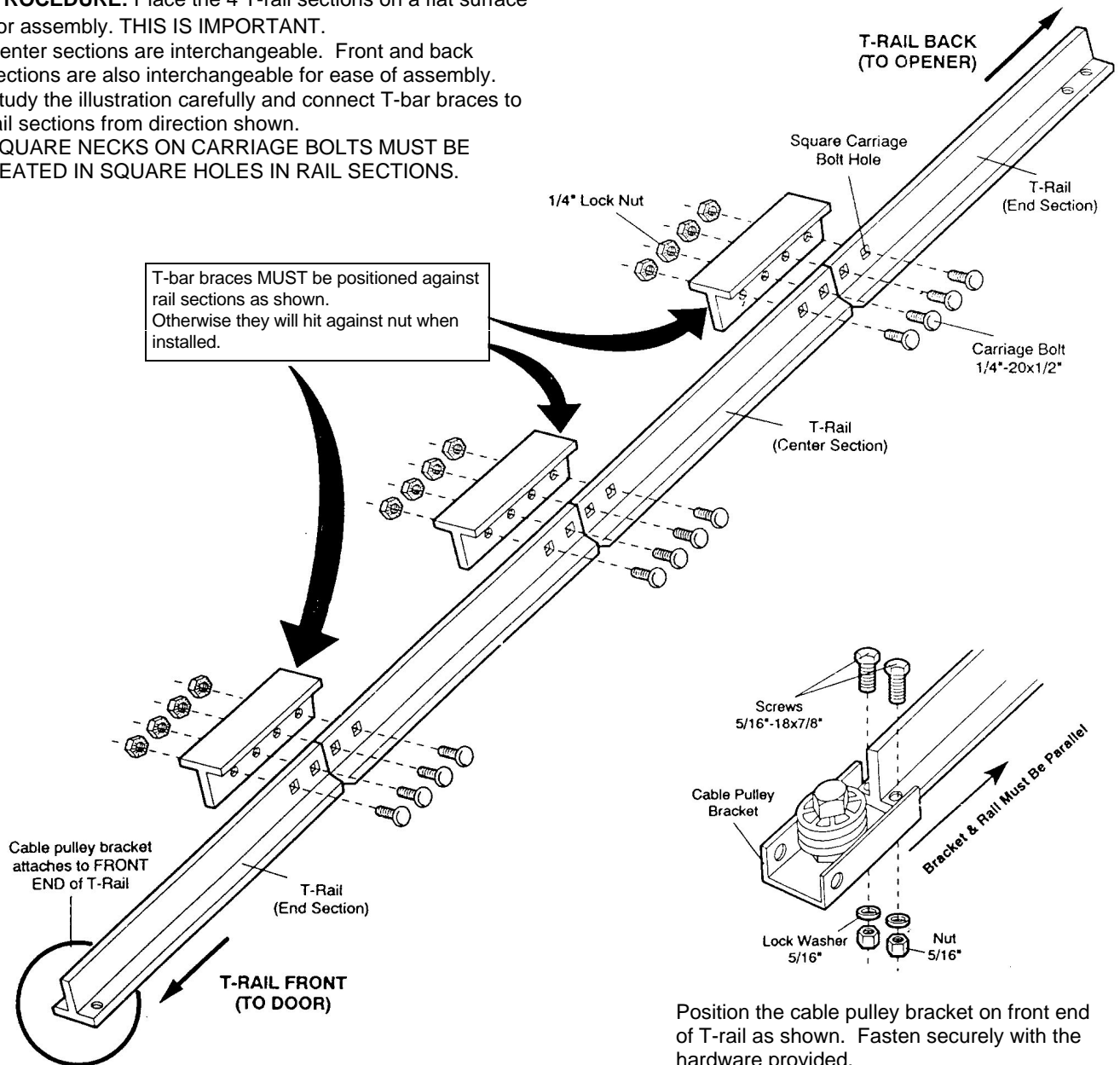
Assemble T-rail & Attach Cable Pulley Bracket

TO AVOID INSTALLATION DIFFICULTIES, DO NOT RUN THE GARAGE DOOR OPENER UNTIL INSTRUCTED TO DO SO.

CAUTION: Do not tighten the lock nuts until bolt necks are seated in square holes and rail sections are positioned correctly (see right and wrong views below).



PROCEDURE: Place the 4 T-rail sections on a flat surface for assembly. **THIS IS IMPORTANT.** Center sections are interchangeable. Front and back sections are also interchangeable for ease of assembly. Study the illustration carefully and connect T-bar braces to rail sections from direction shown. **SQUARE NECKS ON CARRIAGE BOLTS MUST BE SEATED IN SQUARE HOLES IN RAIL SECTIONS.**



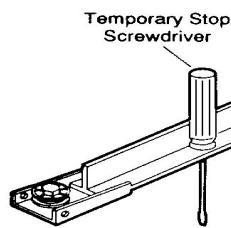
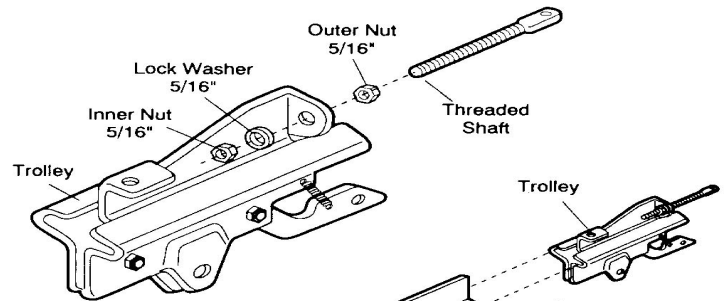
Position the cable pulley bracket on front end of T-rail as shown. Fasten securely with the hardware provided. **IMPORTANT: When tightening screws, be sure to keep bracket parallel to rail. Otherwise, rail may bow when opener is operated.**

ASSEMBLY STEP 2

Assemble & Install Trolley

AS A TEMPORARY STOP, INSERT A SCREWDRIVER INTO HOLE IN FRONT END OF T-RAIL.

Attach threaded shaft to trolley with lock washer and nuts as shown.



Slide trolley assembly along rail to screwdriver stop.
NOTE: If trolley hits against nut on T-rail, bolts and nuts were attached from the wrong side and must be repositioned. Review Step 1.

ASSEMBLY STEP 3

Fasten T-Rail to Opener

PROCEDURE: Place the opener on packing material to protect the cover. For convenience, place a support under the cable pulley bracket.

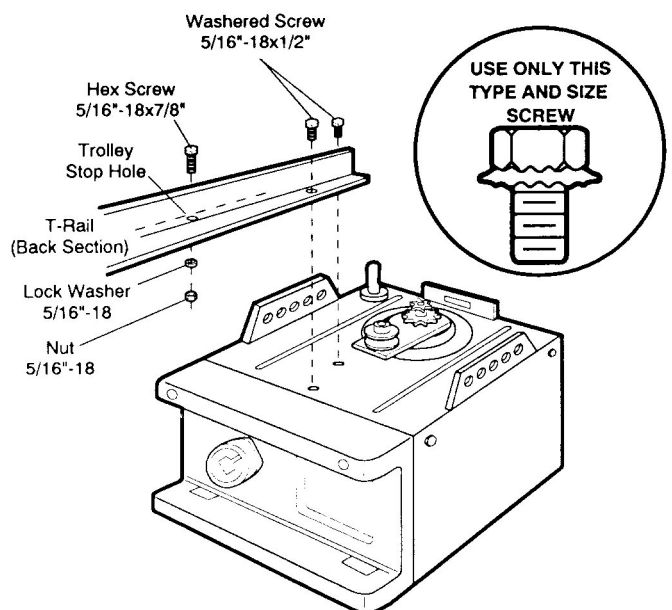
Remove the (2) 5/16"-18x1/2" washered screws mounted in the top of the opener. Align holes in back end of T-rail with holes in opener. Fasten the rail with the (2) washered screws previously removed and tighten securely.

CAUTION: USE ONLY THESE SCREWS! Use of any other screws will cause serious damage to door opener.

Insert a 5/16"-18x7/8" hex screw into trolley stop hole in T-rail as shown. Tighten securely with a 5/16" lock washer and nut.



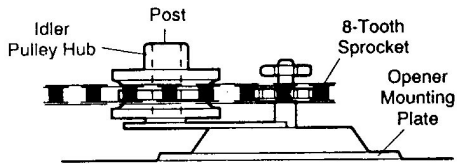
USE ONLY THOSE SCREWS MOUNTED IN TOP OF OPENER. FAILURE TO DO SO WILL CAUSE SERIOUS DAMAGE TO OPENER.



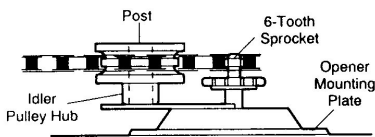
ASSEMBLY STEP 4

Install Idler Pulley, Chain/ Cable
& Sprocket Cover

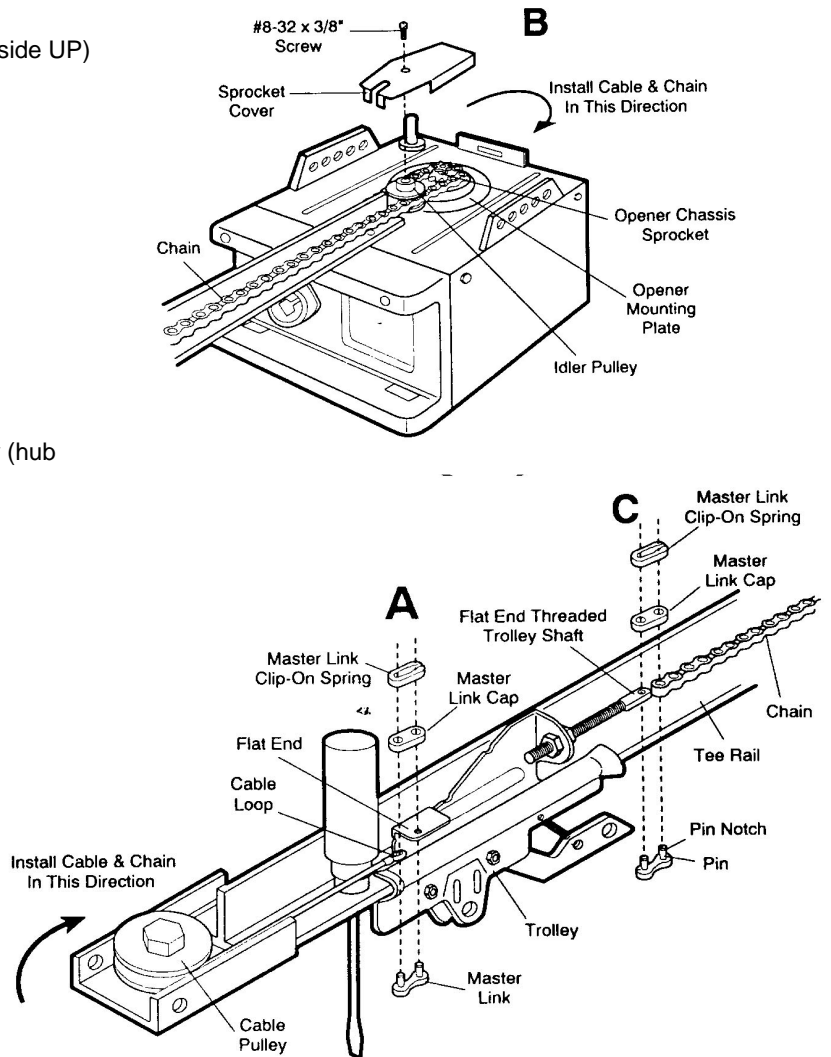
FOR SECTIONAL DOOR: Place idler pulley (hub side UP) over post as shown.



FOR ONE-PIECE DOOR: Place the idler pulley (hub side DOWN) over post as shown.



Detach cable loop from carton and faster to trolley with a master link from coin envelope.
MASTER LINK PROCEDURE: Push pins of master link bar through cable loop and hole in front end of trolley (SEE Figure A.) Push cap into notches. Slide clip-on spring over cap and into notches until both pins are securely locked



With the trolley against screwdriver, dispense cable around pulley. **Caution: Keep the chain and cable taut during installation to help prevent kinking.**

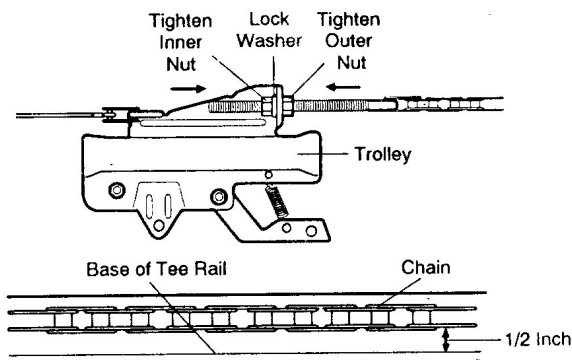
SECTIONAL DOOR: Proceed around the 8-tooth (bottom) opener sprocket (Fig.B).

ONE-PIECE DOOR: Proceed around the 6-tooth (top) opener sprocket (FIG.B) and forward to trolley (Fig.C.)

Use second master link to connect chain to flat end of shaft. Check to make sure the chain is not twisted.

REMOVE THE SCREWDRIVER.

Position sprocket cover over mounting plate as shown and fasten with #8-32x3/8" screw.



TIGHTEN CHAIN/CABLE

CAUTION: Keep chain from twisting when turning nuts.

Thread inner nut in direction shown. (loosen outer nut first, if necessary.)

Tension is correct when chain is approximately 1/2" above base of T-rail, midway between pulley bracket and opener. To maintain proper tension, be sure to tighten inner nut.

Sprocket noise can result if chain is either too loose or too tight.

CAUTION: Do not overtighten chain. (See Page 6).

BEFORE BEGINNING INSTALLATION OF GARAGE DOOR OPENER, BE SURE TO COMPLY WITH ALL SAFETY RULES IT IS RECOMMENDED THAT THE OPENER BE INSTALLED 7 FEET OR MORE ABOVE FLOOR WHERE SPACE PERMITS.



KEEP GARAGE DOOR BALANCED. STICKING OR BINDING DOORS MUST BE REPAIRED. THE GARAGE DOOR, DOOR SPRINGS, CABLES, PULLEYS, BRACKETS AND THEIR HARDWARE ARE UNDER EXTREME TENSION AND CAN CAUSE SERIOUS PERSONAL INJURY. DO NOT ATTEMPT TO LOOSEN, MOVE OR ADJUST THEM. CALL FOR GARAGE DOOR SERVICE.



DO NOT WEAR WATCHES, RINGS OR LOOSE CLOTHING WHILE INSTALLING OR SERVICING A DOOR OPENER.

INSTALLATION STEP 1

Position and Install Header Bracket

Installation procedures vary according to garage door types. Follow the instructions which apply to your door.



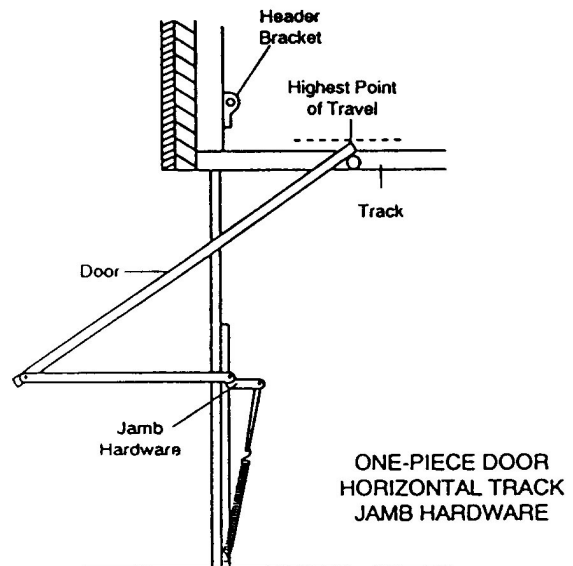
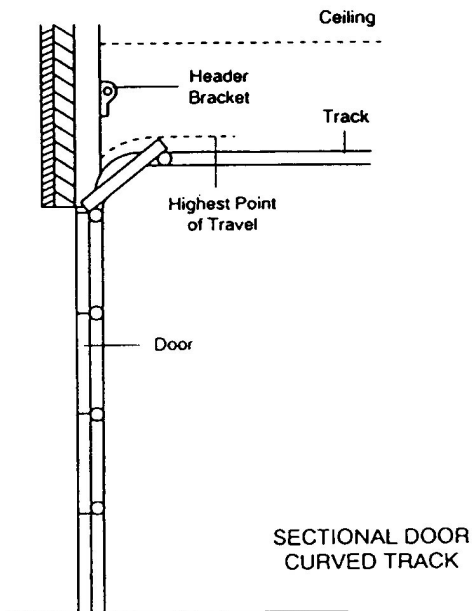
THE HEADER BRACKET MUST BE RIGIDLY FASTENED TO HEADER WALL REINFORCE WALL WITH A 2x4 IF NECESSARY. FAILURE TO COMPLY MAY RESULT IN IMPROPER OPERATION OF SAFETY REVERSE SYSTEM (SEE PAGE 22).

SECTIONAL DOOR & 1-PIECE DOOR WITH TRACK

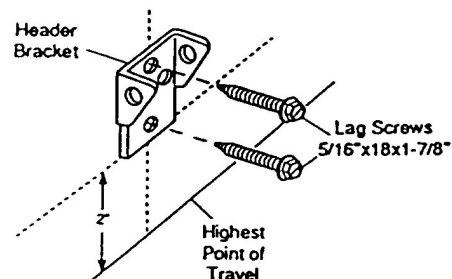
1. Close door and mark the inside vertical centerline of garage door.
Extend the line onto header wall above door.

2. Open door to highest point of travel as shown. Draw an intersecting horizontal line on header wall 2" above high point. This height will provide travel clearance for top edge of door.

NOTE: When the headroom is not sufficient for 2" clearance, the bottom edge of bracket may be placed in line with the door's high point of travel.



3. Position bracket as shown (centered on vertical guideline with bottom edge of bracket on horizontal line). Mark either top and bottom or left and right bracket holes. drill 3/16" pilot holes and fasten bracket.



Proceed to Step 2, Page 11.

ONE-PIECE DOOR WITHOUT TRACK

PLEASE READ AND COMPLY WITH THE WARNINGS ON PAGE 10. THEY APPLY TO THE INSTALLATION OF THE HEADER BRACKET REGARDLESS OF DOOR TYPE.

1. Close door and mark inside vertical centerline of garage door. Extend line onto header wall above door.
2. Open door to highest point of travel as shown. Measure the distance from top of door to floor. Subtract actual height of door. Add 8" to remainder (see example).

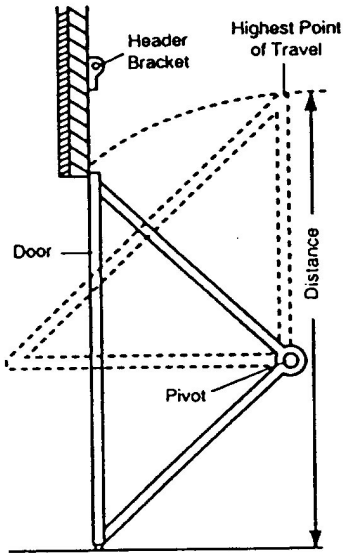
NOTE: If the total number of inches exceeds height available in garage use the maximum height possible. On finished ceilings do not position the bracket closer than 1/2" from ceiling.

EXAMPLE

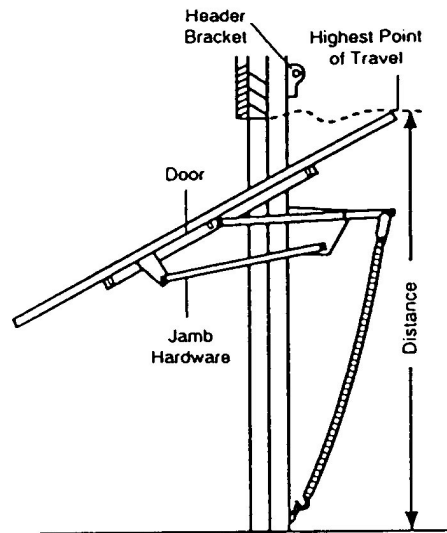
Distance from top of door (at highest point of travel) to floor.....	92"
Actual height of door	-88"
Remainder	4"
Add	+ 8"
Bracket height on header wall	=12"
(Measure UP from top of CLOSED door.)	

POSITION AND FASTEN HEADER BRACKET AS DESCRIBED AND SHOWN IN NO. 3 ON PAGE 10.

**ONE-PIECE DOOR - NO TRACK
PIVOT HARDWARE**

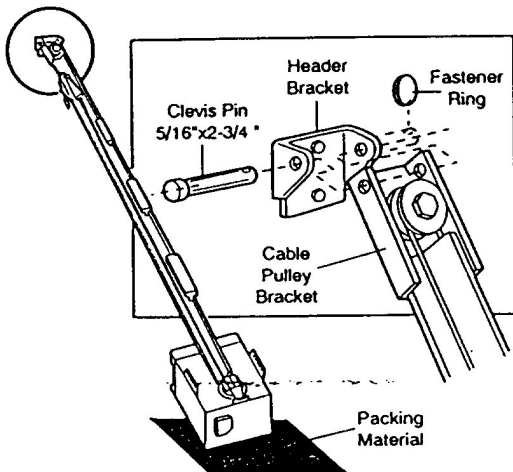


**ONE-PIECE DOOR - NO TRACK
JAMB HARDWARE**



INSTALLATION STEP 2

Attach the T-Rail to Header Bracket



PROCEDURE: Position opener on garage floor below header bracket. Use packing material as a protective base.

NOTE: To enable T-rail to clear sectional door springs it may be necessary to lift opener onto a temporary support.

CAUTION: The opener must either be secured to a support or held firmly in place by another person.

Raise T-rail until pulley and header brackets come together. Align bracket holes and join with clevis pin as shown. Insert ring fastener to secure.

INSTALLATION STEP 3

Position the Opener

Follow instructions which apply to your door type as illustrated.

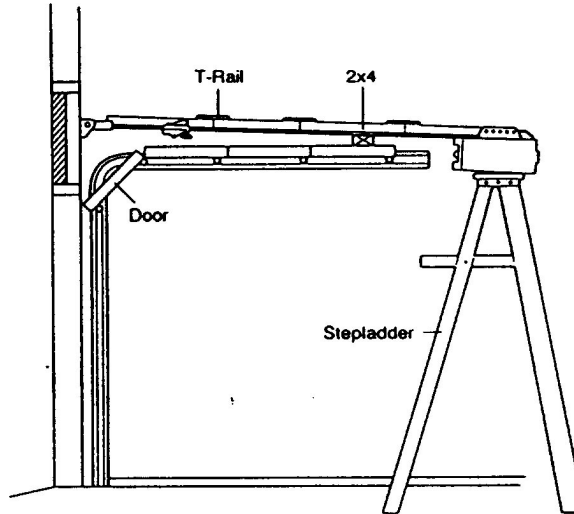


TO PREVENT DAMAGE TO LIGHT WEIGHT DOORS AND/OR DOORS WITH WINDOWS, DO NOT REST THE OPENER ON THE DOOR.

INSTALLATION—SECTIONAL DOOR & 1-PIECE DOOR WITH TRACK

NOTE: A 2x4 is convenient for setting an Ideal door-to-T-rail distance. It is not necessary where headroom is insufficient.

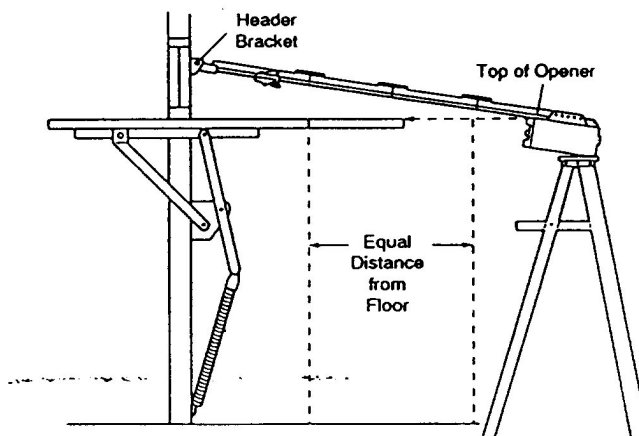
PROCEDURE: Raise the opener onto a stepladder. Open garage door. Place a 2x4 on the top section of door near centerline as shown. Rest T-rail on 2x4 as shown.



INSTALLATION—1-PIECE DOOR WITHOUT TRACK

PROCEDURE: Measure the distance from floor to top of door (in fully open position and parallel to the floor). Using a stepladder as a support, raise opener to the same distance from the floor (it will have a slight angle as shown).

The top of the door should be level with the top of opener. For maximum efficiency, do not position opener more than 2 inches above this point.



INSTALLATION STEP 4

Hang the Opener

THE OPENER MUST BE SECURELY FASTENED TO A STRUCTURAL SUPPORT OF THE GARAGE.

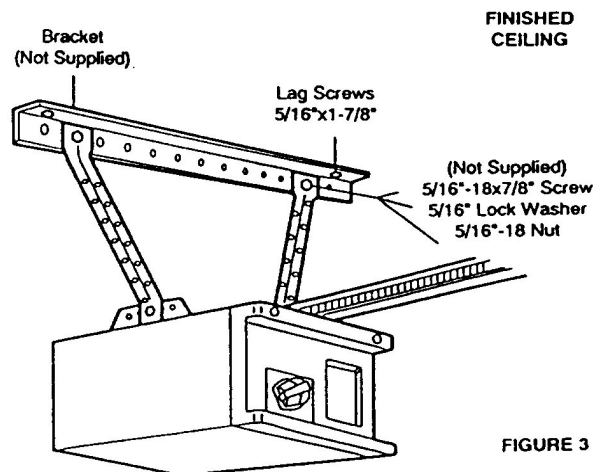
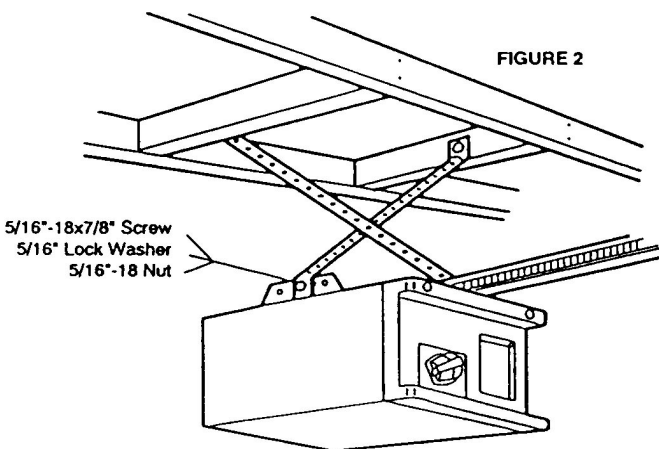
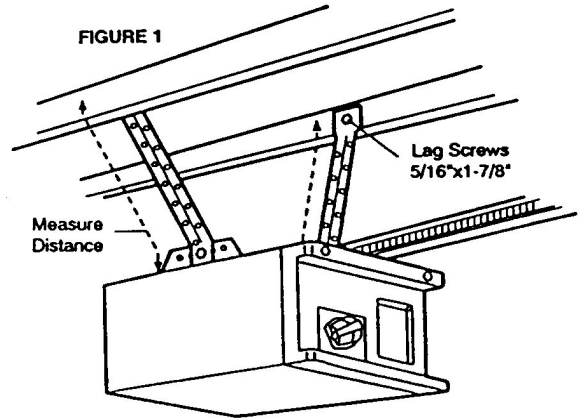
Three representative installations are shown. Yours may be different. Hanging brackets should be angled (Fig.1) or crossed (Fig.2) to provide rigid support. On finished ceilings (Fig.3), attach a sturdy metal bracket (not supplied) to ceiling joists before installing opener. On finished joists before installing opener.

PROCEDURE: Measure the distance from EACH side of the opener to the structural support.

Cut both pieces of the hanging bracket to required lengths. Flatten one end of each bracket and bend or twist to fit the fastening angles. **Do not bend at the bracket holes.** Drill 3/16" pilot holes in the structural supports. Attach flattened ends of brackets to supports with 5/16" x1-7/8" lag screws.

Lift opener and fasten to hanging bracket as shown. **Check to make sure T-rail is centered over door.** **REMOVE 2x4.** Operate door manually. If door hits the rail, raise header bracket.

Grease the top and underside of rail surface on which trolley slides. A tube of grease is supplied.





LOCATE DOOR CONTROL BUTTON (OR ANY ADDITIONAL PUSH BUTTONS) WHERE THE GARAGE DOOR IS VISIBLE, AWAY FROM DOOR AND DOOR HARDWARE AND OUT OF THE REACH OF CHILDREN. SERIOUS PERSONAL INJURY FROM A MOVING GARAGE DOOR MAY RESULT FROM MISUSE OF OPENER.

DO NOT ALLOW CHILDREN TO OPERATE DOOR CONTROL BUTTON(S) OR REMOTE CONTROL TRANSMITTER. FASTEN THE CAUTION LABEL ON THE WALL NEAR DOOR CONTROL BUTTON AS A REMINDER OF SAFE OPERATING PROCEDURES.

INSTALLATION STEP 5

Install Lighted Door Control Button

Remove about 1/4" of insulation from both ends of 2-strand bell wire. Connect one end to both screw terminals on back of lighted door control as shown.

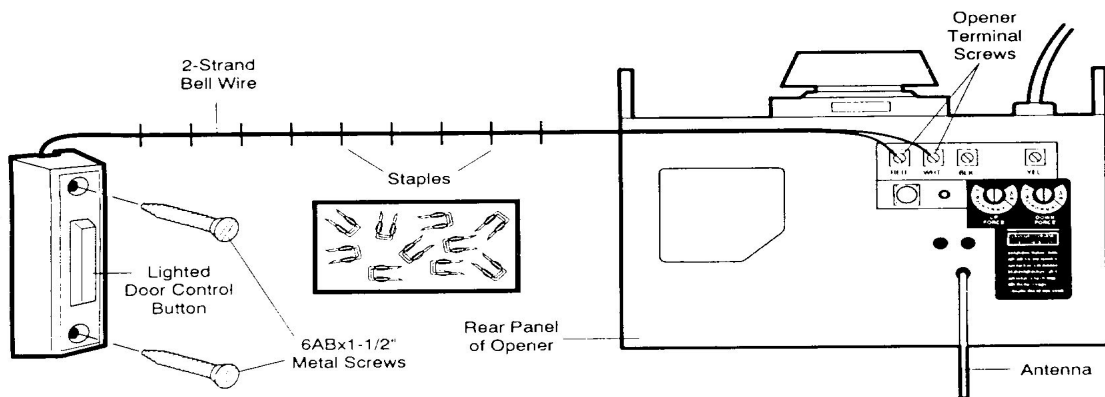
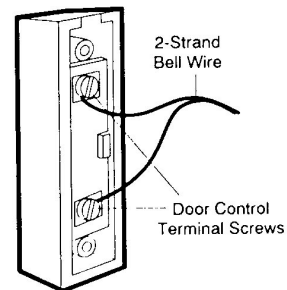
NO POLARITY IS REQUIRED.

Install the door control button on an inside garage wall as shown. Use anchors if installing into drywall. A convenient place is alongside the service door and

OUT OF REACH OF CHILDREN.

Run bell wire up the wall and across the ceiling to the opener. Secure with insulated staples.

Receiver terminals and antenna are located on back panel of opener. Position antenna wire as shown. Then connect the wire by color to the white and red opener terminal screws.



OPERATION OF LIGHTED DOOR CONTROL BUTTON

Press to open or close door.

Press again to REVERSE door during the CLOSING cycle or to STOP door during OPENING cycle.

WIRING INSTRUCTIONS FOR ACCESSORIES

The Protector System

To white and black opener terminals

Outdoor Key Switch:

To red and white opener terminals

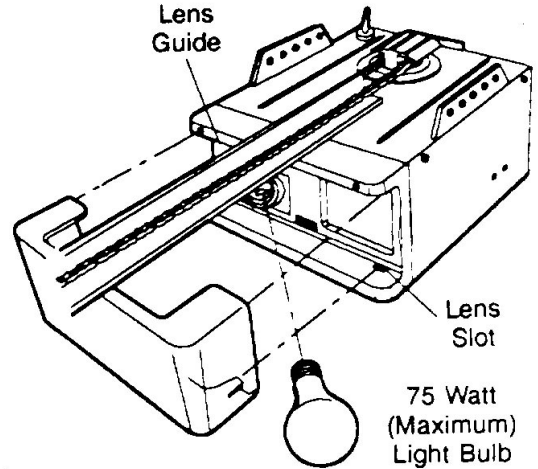
INSTALLATION STEP 6

Install Light and Lens

INSTALLING LIGHT: Install a 75 watt maximum light bulb in socket as shown. The light will turn on and remain lit for 4-1/2 minutes when power is connected. After 4-1/2 minutes it will turn off.

If bulb burns out prematurely due to vibration, replace with bulb specifically packaged for "Garage Door Openers".

INSTALLING LENS: Slide the lens into the guides as shown. Snap the bottom tabs into lens slots.



INSTALLATION STEP 7

Attach Manual Release Rope and Handle

PROCEDURE: Thread one end of rope through hole in top of red handle so 'NOTICE' reads right side up as shown. Secure with an overhand knot.

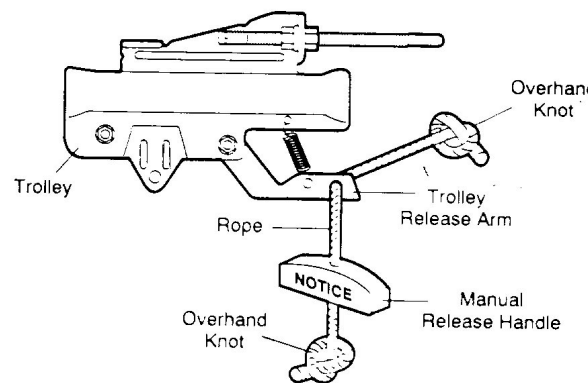
NOTE: Knot should be at least 1" from end of the rope to prevent slipping.

Thread other end of rope through hole in release arm of outer trolley. Adjust rope length so that handle is 6 feet above the floor. Secure with an overhand knot as above.

NOTE: If it is necessary to cut rope, heat seal cut end with match or lighter to prevent fraying and/or raveling.

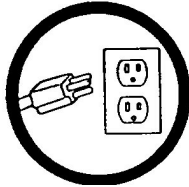


USE THE MANUAL RELEASE ROPE ONLY TO DISENGAGE TROLLEY. DO NOT USE ROPE AND HANDLE TO PULL THE DOOR OPEN OR CLOSED.

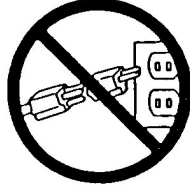


INSTALLATION STEP 8

Connect Electric Power



RIGHT



WRONG



TO AVOID SERIOUS PERSONAL INJURY FROM ENTANGLEMENT, REMOVE ALL THE ROPES CONNECTED TO GARAGE DOOR BEFORE OPERATING OPENER TO AVOID DAMAGE TO GARAGE DOOR AND OPENER, MAKE DOOR LOCKS INOPERATIVE BEFORE CONNECTING ELECTRIC POWER. USE A WOOD SCREW OR NAIL TO HOLD LOCKS IN "OPEN" (UNLOCKED) POSITION. THE INSTALLATION & THE WIRING MUST BE IN COMPLIANCE WITH LOCAL ELECTRICAL AND BUILDING CODES. OPERATION AT OTHER THAN 120V 60Hz WILL CAUSE OPENER MALFUNCTION AND DAMAGE.

Opener Must be permanently wired or plugged into a grounded 3-prong receptacle wired according to local electrical codes. **DO NOT** use a 2-wire adapter. **DO NOT USE** an extension cord.

PROCEDURE FOR PERMANENT WIRING (if required by local codes)



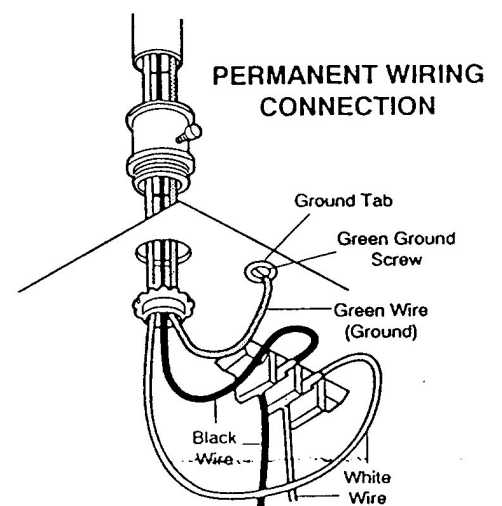
DISCONNECT THE POWER AT THE FUSE BOX BEFORE PROCEEDING.

Refer to illustration. Make connection through the 7/8 diameter hole in top of opener.

1. Remove opener cover screws and set cover aside.
2. Remove attached 3-prong cord.
3. Connect black (line) wire to black wire on terminal block; white (neutral) wire to white terminal wire; green (ground) wire to green ground screw.

CAUTION: BE SURE THE UNIT IS GROUNDED ACCORDING TO LOCAL CODE.

IMPORTANT NOTE TO AVOID INSTALLATION DIFFICULTIES, DO NOT RUN OPENER NOW.



INSTALLATION STEP 9

Fasten Door Bracket and Plate

Follow instructions which apply to your door type as illustrated below.



TO PREVENT DAMAGE TO LIGHTWEIGHT AND METAL GARAGE DOORS (OR ONES WITH GLASS PANELS).

ALWAYS REINFORCE THE INSIDE OF DOOR BOTH VERTICALLY AND HORIZONTALLY WITH 2x4 BOARDS OR ANGLE IRON.

The horizontal brace should be at least 6 feet long. The vertical brace should cover height of top panel. The best solution is to check with your garage door manufacturer for an opener Installation door reinforcement kit.

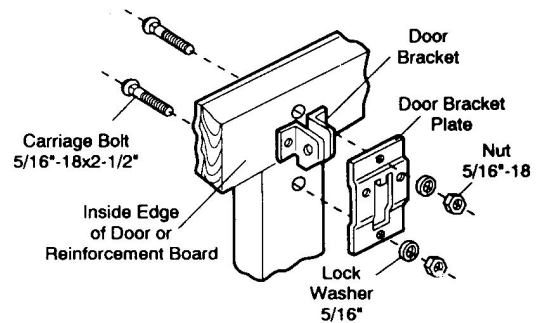
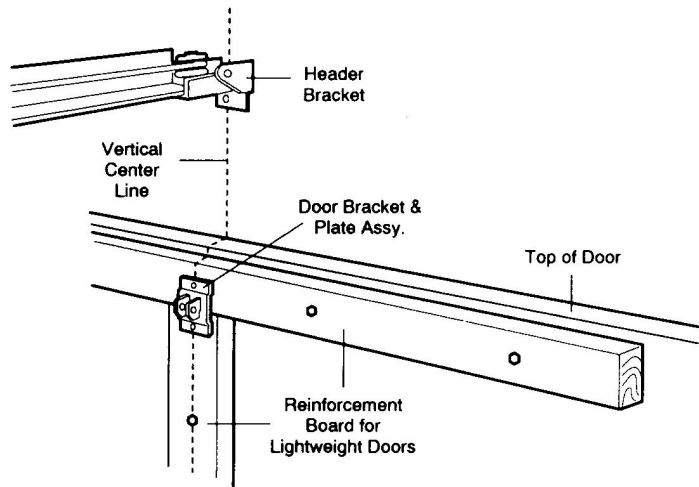
Sectional Door Installation Procedure

Position door bracket and plate assembly against door within the following limits according to your requirements (and centered on vertical guideline or up to one foot left or right of center if necessary):

A) Top edge of bracket 2" - 4" below top edge of door.

B) Directly below any structural support across top of door.

Mark and drill 5/16" fastening holes. Secure bracket assembly as shown.



All One-Piece Door Installation Procedure

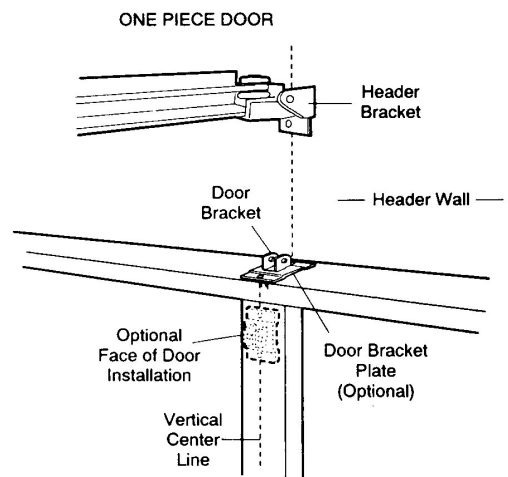
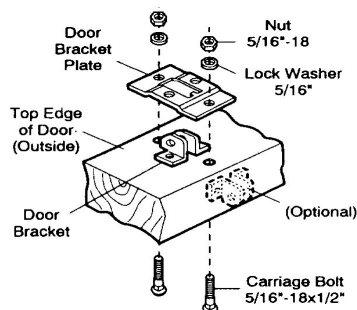
NOTE: The door bracket has left and right side fastening holes. Use bracket and plate assembly if you require top and bottom fastening holes.

Center bracket (with or without plate as required) on top edge of door as shown. Mark holes.

Drills 5/16" holes and fasten the door bracket with hardware supplied.

NOTE: If the door has no exposed framing, drill 3/16" pilot holes and use 5/16" x 1-1/2" lag screws (not supplied) to fasten bracket to top of door.

NOTE: The door bracket may be installed on face of door if required for your installation. (Refer to dotted line drawing.) **HOWEVER**, drill 3/16" pilot holes and substitute 5/16" x 1-1/2" lag screws (not supplied) to fasten the bracket to the door.



INSTALLATION STEP 10

Connect Door Arm to Trolley

Follow instructions which apply to your door type as illustrated.

SECTIONAL DOORS ONLY

Make sure garage door is closed tight. Pull the manual release handle to disconnect the trolley. Manually move outer trolley back to the center of Inner trolley as shown in Figures A, B and C.

FIG A: Fasten straight door arm section to outer trolley with a clevis pin. Secure the connection with a ring fastener.

Fasten curved section to the door bracket in the same way.

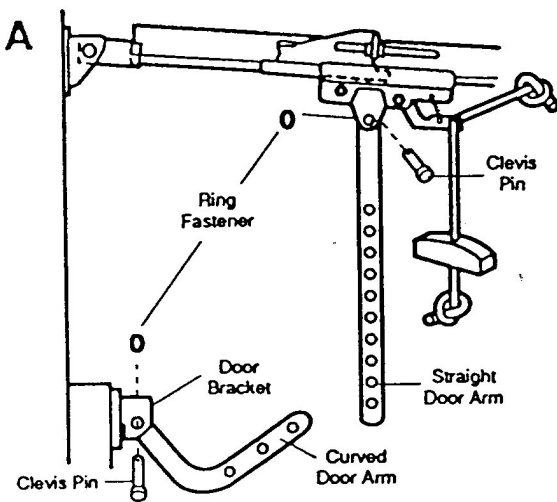


FIG B: Bring arm sections together. Find two pairs of holes that line up and join sections. Select holes as far apart as possible to increase door arm rigidity.

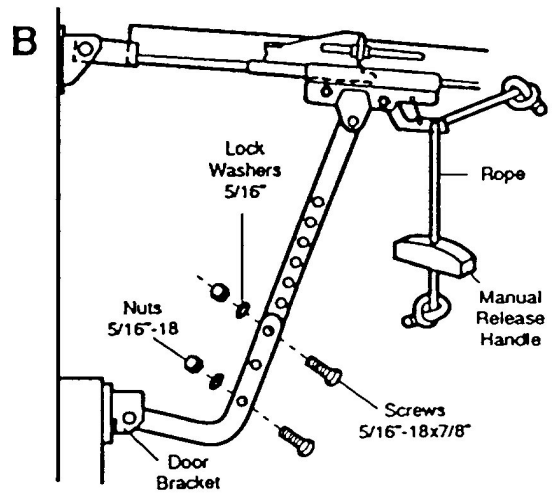
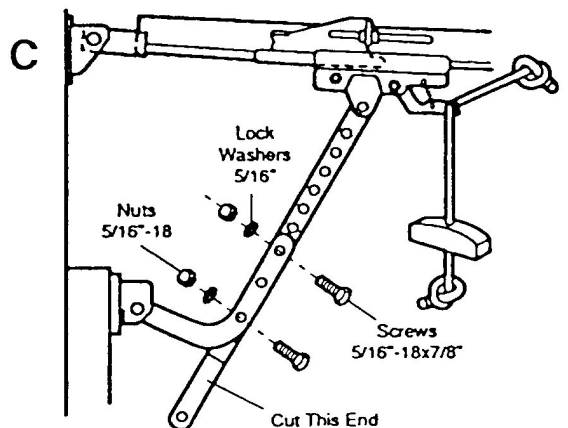


FIG C: If holes in curved arm are ABOVE holes in straight arm, disconnect straight arm. Cut about 6" from the solid end. Reconnect to trolley with CUT END DOWN as shown.

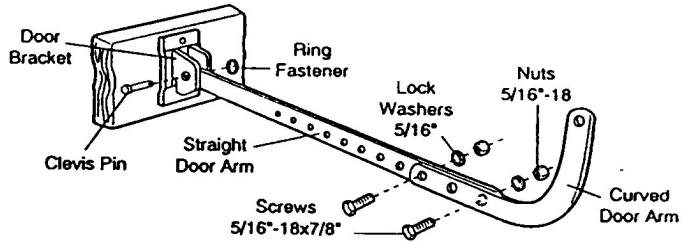
Bring arm sections together. Find two pairs of holes that line up and join with screws, lock washers and nuts.



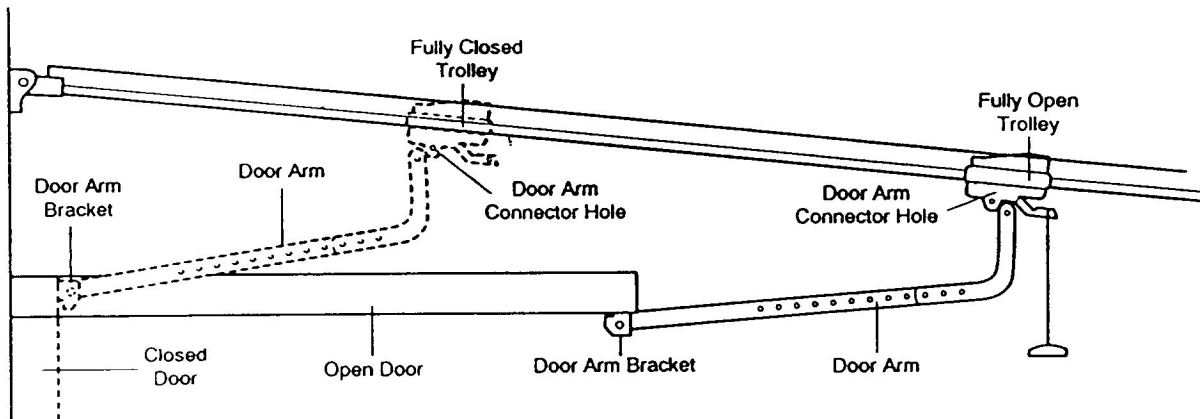
Proceed to Step 1, page 20. Trolley will re-engage automatically when opener is operated.

ALL ONE-PIECE DOORS

ASSEMBLE DOOR ARM: Fasten straight and curved door arm sections together to their longest possible length. With door closed, connect straight door arm section to door bracket with a clevis pin. Secure with a ring fastener.



Before connecting door arm to trolley, limits of travel must be adjusted on one-piece doors. Limit adjustment screws are located on left side panel as shown in illustration on Page 20. Follow procedures below.



ADJUSTMENT PROCEDURES

OPEN DOOR ADJUSTMENT

Decrease UP limit. Turn UP limit adjustment screw counterclockwise 4 complete turns.

Press door control button. Trolley will travel to full open position.

Manually raise door arm to open position (parallel to floor) and lift door arm to trolley. The arm should touch trolley just in back of door arm connector hole as shown in solid line drawing. If arm does not extend far enough, adjust limit further. One full turn equals 2" of door travel.

CLOSED DOOR ADJUSTMENT

Decrease DOWN limit. Turn DOWN limit adjustment screw clockwise 8 complete turns.

Press door control button. Trolley will travel to full closed position.

Manually close door and lift door arm to trolley. The arm should touch trolley just ahead of door arm connector hole as shown in dotted line drawing. If arm is behind the connector hole, adjust limit further. One full turn equals 2" of door travel.

CONNECT DOOR ARM TO TROLLEY: With door closed, join curved arm to connector hole in trolley with remaining clevis pin. Secure with ring fastener. **NOTE: It may be necessary to lift door slightly to make connection.**

Run opener through a complete travel cycle. If door has a slight 'backward' slant in full open position, decrease UP limits until door is parallel to floor.

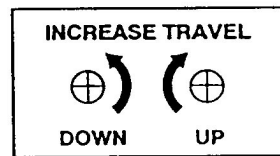
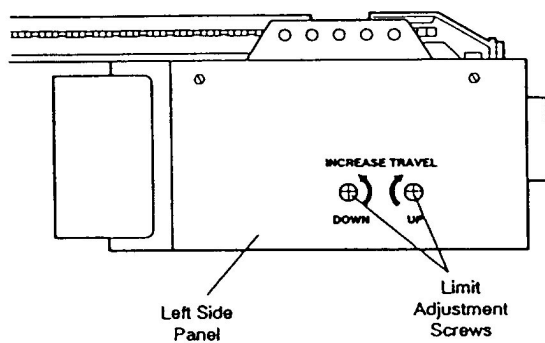
ADJUSTMENT STEP 1

Adjust UP and DOWN Limits

LIMIT ADJUSTMENT settings regulate the points at which the door will stop when moving up or down.

NOTE: Door STOPS In the UP direction If anything interferes with door travel. Door REVERSES in the DOWN direction If anything interferes with the door travel (including binding or unbalanced doors).

PROCEDURE: To operate the opener, press the Door Control Button. Run the opener through a COMPLETE TRAVEL CYCLE. No limit adjustments are necessary when the door opens and closes completely and doesn't reverse unintentionally when fully closed.



Adjustment Label

The following chart outlines adjustment procedures. Run the opener through a COMPLETE TRAVEL CYCLE AFTER EACH ADJUSTMENT.

NOTE: REPEATED OPERATION OF THE OPENER DURING ADJUSTMENT PROCEDURES MAY CAUSE MOTOR TO OVERHEAT AND SHUT OFF. SIMPLY WAIT 15 MINUTES AND TRY AGAIN.

Read the chart carefully before proceeding to Step 2. Use a screwdriver to make limit adjustments.

LIMIT ADJUSTMENT CHART

IF DOOR DOES NOT OPEN COMPLETELY BUT OPENS AT LEAST FIVE FEET

Increase UP travel. Turn the UP LIMIT adjustment screw clockwise. One turn equals 2" of travel.

If door does not open at least 5 feet: adjust UP (OPEN) FORCE as explained in Step 2.

IF DOOR DOES NOT CLOSE COMPLETELY

Increase DOWN travel. Turn down limit adjustment screw counterclockwise. One turn equals 2" of travel.

If the door still will not close completely, the header bracket is positioned too high. See Step 1, page 10.

IF OPENER REVERSES IN FULLY CLOSED POSITION

Decrease DOWN travel. Turn down limit adjustment screw clockwise. One turn equals 2 inches of travel.

IF DOOR REVERSES WHEN CLOSING AND THERE IS NO INTERFERENCE TO TRAVEL CYCLE

Test door for binding: Pull manual release handle. Manually open and close door. If door is binding, call for garage door service. If door is not binding or unbalanced, adjust DOWN (CLOSE) FORCE. See Step 2.

ADJUSTMENT STEP 2

Adjust Force

Force Adjustment Controls are located on rear panel of opener. **FORCE ADJUSTMENT** settings regulate amount of the power required to open and close door.

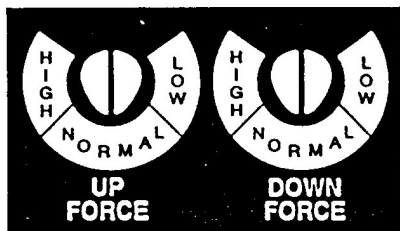
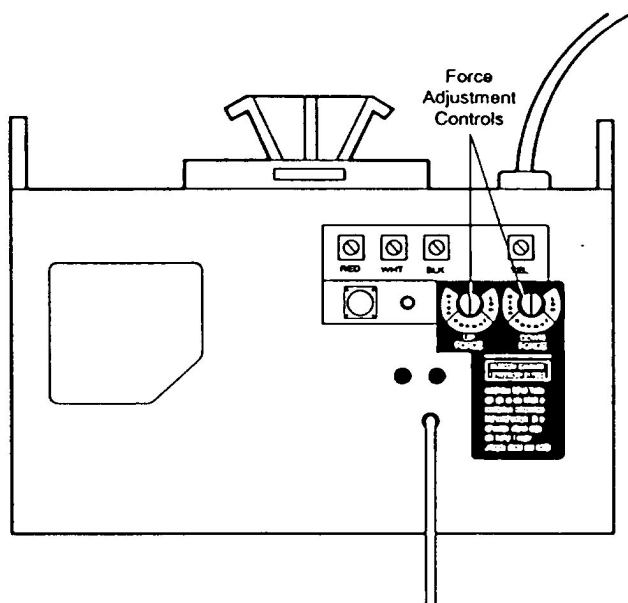
NOTE: The door STOPS in the UP direction if anything Interferes with its travel. Door REVERSES In the DOWN direction if anything interferes with Its travel (Including binding or unbalanced doors).

If the force adjustments are set too light, door travel may be interrupted by nuisance reversals in DOWN direction and stops in UP direction. Weather conditions can affect the door movement, occasional adjustment may be needed.

Maximum force adjustment range is 260 degrees, about 314 of a complete turn. Do not force controls beyond that point. Turn force adjustment controls with a screwdriver.



DO NOT USE FORCE ADJUSTMENTS TO COMPENSATE FOR A BINDING OR STICKING GARAGE DOOR. EXCESSIVE FORCE WILL INTERFERE WITH PROPER OPERATION OF SAFETY REVERSE SYSTEM OR DAMAGE GARAGE DOOR.



Adjustment Label

FORCE ADJUSTMENT CHART

TEST DOWN (CLOSE) FORCE

Grasp the door handle or door bottom when door is about halfway through DOWN (CLOSE) TRAVEL. Door should reverse. If the door is hard to hold or doesn't reverse, decrease DOWN (CLOSE) FORCE by turning the control in a counterclockwise direction. Make 10 degree turn adjustments until door reverses normally. After each adjustment, run opener through a complete cycle.

PROCEED TO STEP 3

IF DOOR DOESN'T OPEN AT LEAST 5 FEET

Increase UP (OPEN) FORCE by turning the control in a clockwise direction. Make 10 degree turn adjustments until door opens completely. Readjust UP LIMIT if necessary. After each adjustment, run opener through a complete travel cycle.

IF DOOR REVERSES DURING DOWN (CLOSE) CYCLE

Increase DOWN (CLOSE) FORCE by turning control clockwise Make 10 degree turn adjustments until door completes close cycle. After each adjustment, run the opener through a complete travel cycle.

ADJUSTMENT STEP 3

Test Safety Reverse System

PROCEDURE: Place a one-inch obstacle on the floor under the garage door. Operate door in DOWN direction. The door MUST reverse on the obstruction.

If the door STOPS on the obstruction, it is not traveling far enough in the DOWN direction. Increase the DOWN limit by turning DOWN limit adjustment screw counterclockwise 1/4 turn. REPEAT TEST.

NOTE: Make sure limit adjustments do not force the door arm beyond a straight up and down position. See the Illustration on Page 18/19.

When the door reverses on the one-inch obstacle, remove the obstruction and run the opener through a complete travel cycle

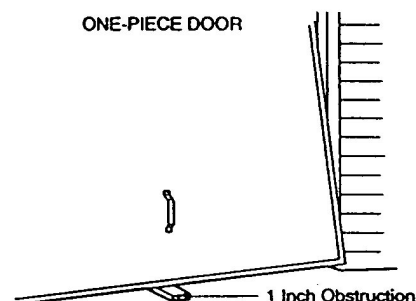
Door MUST NOT reverse in closed position. Repeat Adjustment Steps 1, 2 and 3 if necessary.



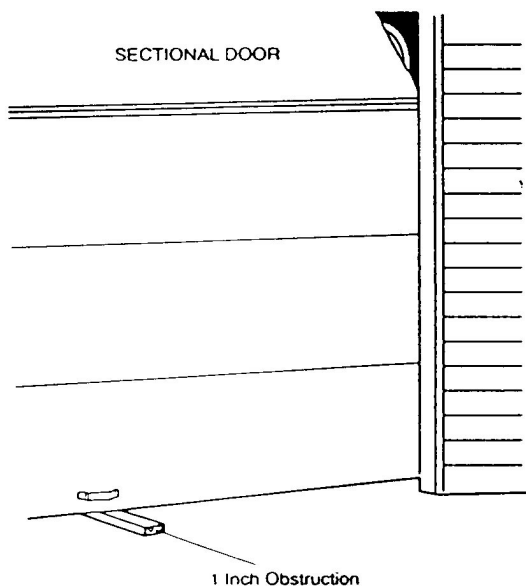
THE SAFETY REVERSE SYSTEM TEST IS IMPORTANT. GARAGE DOOR MUST REVERSE ON CONTACT WITH A ONE-INCH

OBSTACLE PLACED ON THE FLOOR. FAILURE TO PROPERLY ADJUST OPENER MAY RESULT IN SERIOUS PERSONAL INJURY FROM A CLOSING GARAGE DOOR. REPEAT TEST ONCE A MONTH AND ADJUST AS NEEDED.

ONE-PIECE DOOR



SECTIONAL DOOR



REPEAT ADJUSTMENT STEP 3 AFTER:

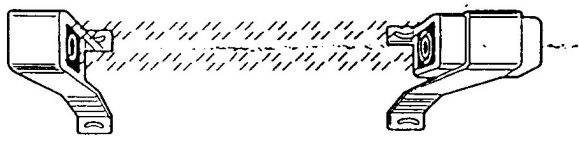
- EACH ADJUSTMENT OF DOOR ARM LENGTH, CLOSE FORCE OR DOWN LIMIT.
- ANY REPAIR OR ADJUSTMENT OF GARAGE DOOR (INCLUDING SPRINGS AND HARDWARE).
- ANY REPAIR OR BUCKLING OF THE GARAGE FLOOR.
- ANY REPAIR OR ADJUSTMENT OF THE GARAGE DOOR OPENER.

THE PROTECTOR SYSTEM™

Installation of Optional Safety Feature

After opener has been installed and adjusted, **THE PROTECTOR SYSTEM** accessory can be installed.

Instructions are included with this optional device.



THE PROTECTOR SYSTEM PROVIDES AN ADDITIONAL MEASURE OF SAFETY AGAINST A SMALL CHILD BEING CAUGHT UNDER A GARAGE DOOR. It uses an Invisible beam which, when broken by an obstruction, causes a closing door to open and prevents an open door from closing. **STRONGLY RECOMMENDED FOR HOMEOWNERS WITH YOUNG CHILDREN.**

Radio Controls

F.C.C. rules prohibit adjustments to or modification of receiver and/or remote control transmitter circuitry except for changing code setting and replacing remote control transmitter battery. NO USER SERVICEABLE PARTS.

Manufactured under 1 or more of the following U.S. patents: RE29,525; 4,037,201; 4,750,118; 4,806,930 Other Patents Pending.



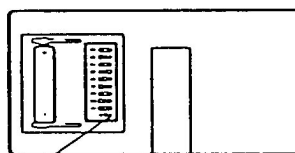
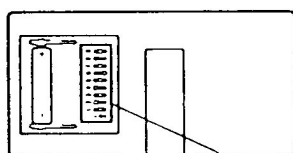
ACTIVATE THE OPENER ONLY WHEN DOOR IS IN FULL VIEW, FREE OF OBSTRUCTION AND PROPERLY

ADJUSTED. NO ONE SHOULD ENTER OR LEAVE GARAGE WHILE DOOR IS IN MOTION. DO NOT ALLOW CHILDREN TO OPERATE REMOTES OR DOOR CONTROL BUTTONS. DO NOT ALLOW CHILDREN TO PLAY NEAR THE DOOR.

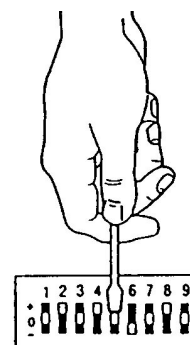
Your garage door opener receiver and remote control transmitter have been factory set to a matching code. If you want to CHANGE your code or purchase additional remotes, follow the Instructions below. The code in any NEW remote control must be set to match the code in the original remote control.

MATCH/CHANGE THE CODE IN REMOTE CONTROL(S)

- Slide battery compartment cover back to access code switches in your single function remote and any new remote control.
- Place remotes side by side as shown and set switches in ALL remotes to matching positions (+, -, 0). Use a pen or screwdriver to slide the code switches.



Match Code Switches (1-9)



NOTE: Instructions for matching the code switches in two-channel and multi-function remote control transmitters are Included with those accessories.

MATCH/CHANGE THE CODE IN THE RECEIVER

GARAGE DOOR OPENERS

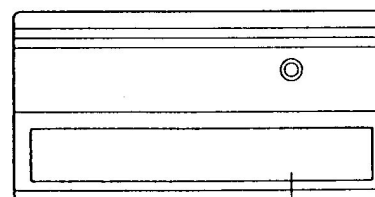
WITH RECEIVER "SMART" CODE BUTTON

- Press the RECEIVER Smart Button on the back panel of the opener as shown. The adjacent indicator light will turn ON.

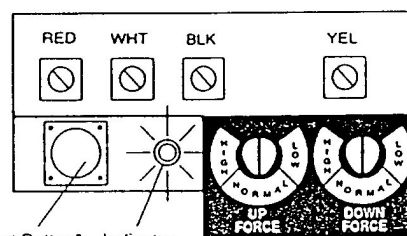
CAUTION: Door will begin to move immediately if any transmitter has been activated.

If this occurs, wait until the door has completed its UP or DOWN cycle. Then begin again at Step 3.

- STAND AWAY FROM THE DOOR** and press the remote control transmitter push button. The indicator light will turn OFF and the door will move. Receiver and remote control(s) codes now match. The opener will operate when either the door control button or the remote control transmitter push button is pressed



TRANSMITTER Push Button



"Smart Button" Indicator Light REVERSE

NOTE: If the remote control transmitter push button is not pressed within 30 seconds, the indicator light will turn OFF. In that case, begin again at Step 3.

Having a Problem?

Review Pages 2 and 3 Before Proceeding

SITUATION	PROBABLE CAUSE & SOLUTION
OPENER DOESN'T OPERATE FROM EITHER THE DOOR CONTROL BUTTON OR THE REMOTE CONTROL TRANSMITTER	<ol style="list-style-type: none">1. Have you disengaged all door locks? Review Step 7, page 16.2. Does the opener have electric power? Plug a lamp into the outlet. If it doesn't light, check fuse box or circuit breaker (Some outlets are controlled by a wall switch.)3. Repeated operation may have tripped the overload protector in the motor. Wait 15 minutes. Try again.4. Is there a build-up of ice or snow under door? Door may be frozen to ground. Remove any obstruction.5. Remove bell wire from opener terminals. Short red and white terminals by touching both terminals at same time with a piece of metal (screwdriver or coin). If opener runs, check for a faulty wire connection at door control button or a short under staples.
OPENER OPERATES FROM REMOTE CONTROL BUT NOT FROM DOOR CONTROL	<ol style="list-style-type: none">1. Is door control button lit? If not, refer to No. 5 above.2. Are wiring connections correct? Review Step 5, page 14 or 15.
DOOR OPERATES FROM DOOR CONTROL BUT NOT FROM REMOTE CONTROL	<ol style="list-style-type: none">1. Does the battery test light glow when remote push button is pressed? If not, replace the battery.2. If you have two remote controls and only one operates, review the code setting Procedures on page 23. ALL remotes must be set to same code.
REMOTE CONTROL HAS SHORT RANGE	<ol style="list-style-type: none">1. Check battery test light. If the light is dim, change the battery.2. Change the location of the remote control in the car.3. A metal garage door or foil-backed insulation or metal siding will reduce the transmission range.4. Make sure antenna on back Panel of opener extends fully downward.
THE GARAGE DOOR OPENS AND CLOSES BY ITSELF	<ol style="list-style-type: none">1. Is there a neighbor with a garage door opener using the same frequency code? Change your code. Review page 23.2. Check to be sure that the remote control push button is not stuck in the 'down' position.3. Remove bell wire from opener terminals and operate from remote control only. If this solves the problem, the door control is faulty (replace), or there is a short or broken wire between door control button and opener.
DOOR DOESN'T OPEN COMPLETELY	<ol style="list-style-type: none">1. Is something obstructing the door?2. If door opens at least 5 feet, travel limits may need to be increased. One turn equals 2 inches of travel. See page 20. REPEAT SAFETY REVERSE TEST after the adjustment is complete.3. If door has been working properly but now doesn't open all the way, increase the UP (OPEN) FORCE. See page 21. REPEAT SAFETY REVERSE TEST after the adjustment is complete.
DOOR DOESN'T CLOSE COMPLETELY	<ol style="list-style-type: none">1. Is something obstructing the door?2. Review the Travel Limits Adjustment Chart on page 20 REPEAT SAFETY REVERSE TEST after any adjustment of door arm length, close force or down limit.
DOOR WON'T CLOSE	<ol style="list-style-type: none">1. Check The Protector System (if you have installed this accessory) If the light is blinking, correct alignment

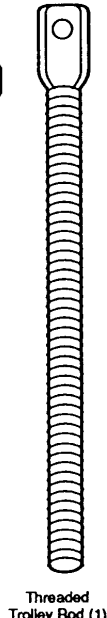
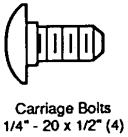
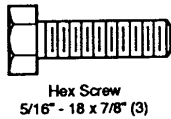
Having a Problem? (continued)

SITUATION	PROBABLE CAUSE & SOLUTION
DOOR REVERSES FOR NO APPARENT REASON	<ol style="list-style-type: none">1. Pull red manual release handle. Operate door manually. If it is unbalanced or binding, call for garage door service to correct the problem.2. Clear any ice or snow from garage floor area where garage door closes.3. Review the Force Adjustment Chart on page 21. REPEAT SAFETY REVERSE TEST after adjustment is complete.4. If door reverses in FULLY CLOSED position decrease travel limits (Page 20). REPEAT SAFETY REVERSE TEST after the adjustment is complete. THE NEED FOR OCCASIONAL ADJUSTMENT OF THE FORCE AND LIMIT SETTINGS IS NORMAL. WEATHER CONDITIONS IN PARTICULAR CAN AFFECT DOOR TRAVEL.5. Check The Protector System (if you have installed this accessory). If the light is blinking, correct alignment.
OPENER LIGHT(S)	<p>DO NOT TURN ON</p> <ol style="list-style-type: none">1. Replace the light bulbs (75 watts maximum). Use "garage door opener bulbs" if standard bulbs burn out prematurely due to vibration. Vibration may be caused by loose end panel Retighten screws. <p>DO NOT TURN OFF</p> <ol style="list-style-type: none">1. There may be a defective ground at ceiling or wall receptacle. UNIT MUST BE GROUNDED.
OPENER STRAINS OR MAXIMUM FORCE IS NEEDED TO OPERATE DOOR	<ol style="list-style-type: none">1. Door may be out of balance or springs are broken. Close door and use manual release rope and handle to disconnect trolley. Open and close door manually. A properly balanced door will stay in any point of travel while being supported entirely by its springs. If it does not, call for garage door service to correct the Problem.
OPENER MOTOR HUMS BRIEFLY, THEN WON'T WORK	<ol style="list-style-type: none">1. Garage door springs are broken. SEE ABOVE.2. The trolley may be jammed into stop bolts. Pull or push on door while motor is humming to release jammed condition. Re-adjust door limits (page 20) to prevent over-travel REPEAT SAFETY REVERSE TEST after adjustment is complete.3. If the problem occurs on first operation of opener, door is locked. DISABLE DOOR LOCK. If chain and cable was removed and reinstalled, motor may be out of phase. Remove chain; cycle motor to down position. Observe drive sprocket. When it turns in clockwise direction and stops in down position, reinstall chain and cable. REPEAT SAFETY REVERSE TEST after adjustment is complete.
OPENER WON'T OPERATE DUE TO POWER FAILURE	<ol style="list-style-type: none">1. Use manual release rope and handle to disconnect trolley. Door can be opened and closed manually. When the power is restored, press the door control button and trolley will automatically reconnect.2. The Emergency Release Key Lock accessory (for use on garages with no service door) disconnects the trolley from outside the garage in case of power failure.
CHAIN DROOPS OR SAGS	<ol style="list-style-type: none">1. It is normal for chain to droop slightly in the closed door position. Use manual release rope and handle to disconnect trolley. If chain returns to normal height when the trolley is disengaged and door reverses on a one-inch obstruction, no adjustments are needed (see page 9).
OPENER NOISE IS DISTURBING IN LIVING QUARTERS OF HOME	<ol style="list-style-type: none">1. If operational noise is a problem because of proximity of the opener to the living quarters, Vibration Isolator Kit can be installed This kit was designed to eliminate the 'sounding board effect' and is easy to install.

SEPARATE ALL HARDWARE FOR ASSEMBLY AND INSTALLATION PROCEDURES AS SHOWN BELOW

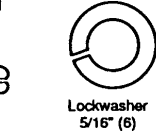
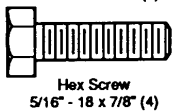
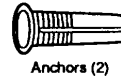
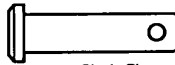
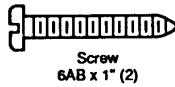
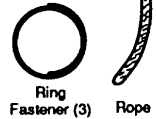
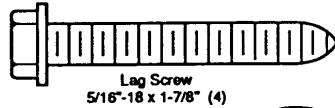
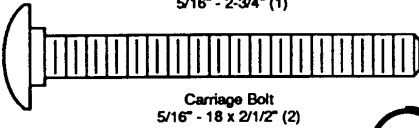
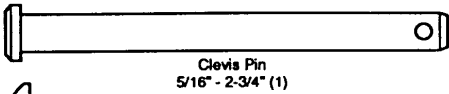
ASSEMBLY HARDWARE

1 Rail Assembly Hardware Kit #41A3534

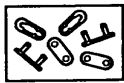


INSTALLATION HARDWARE

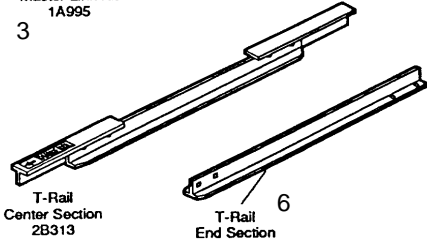
Installation Hardware Bag #41A3535



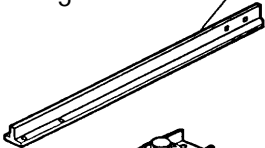
RAIL ASSEMBLY PARTS



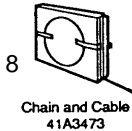
3



5



7

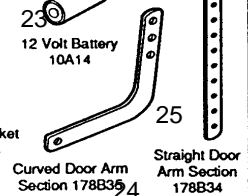
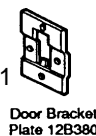
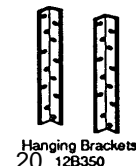
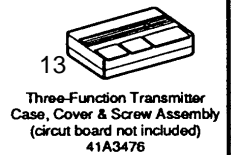
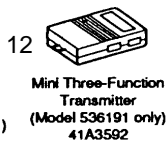


8

NOT SHOWN
Owner's Manual
114A1492

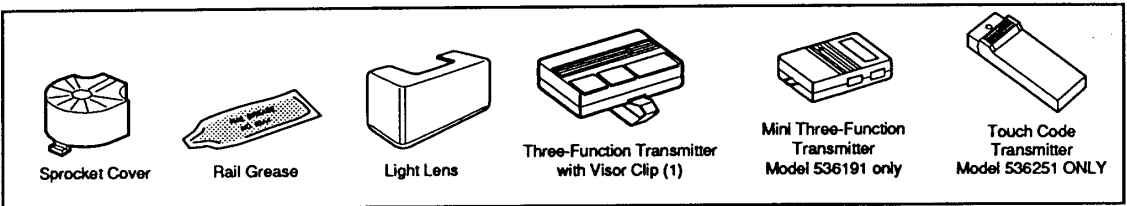
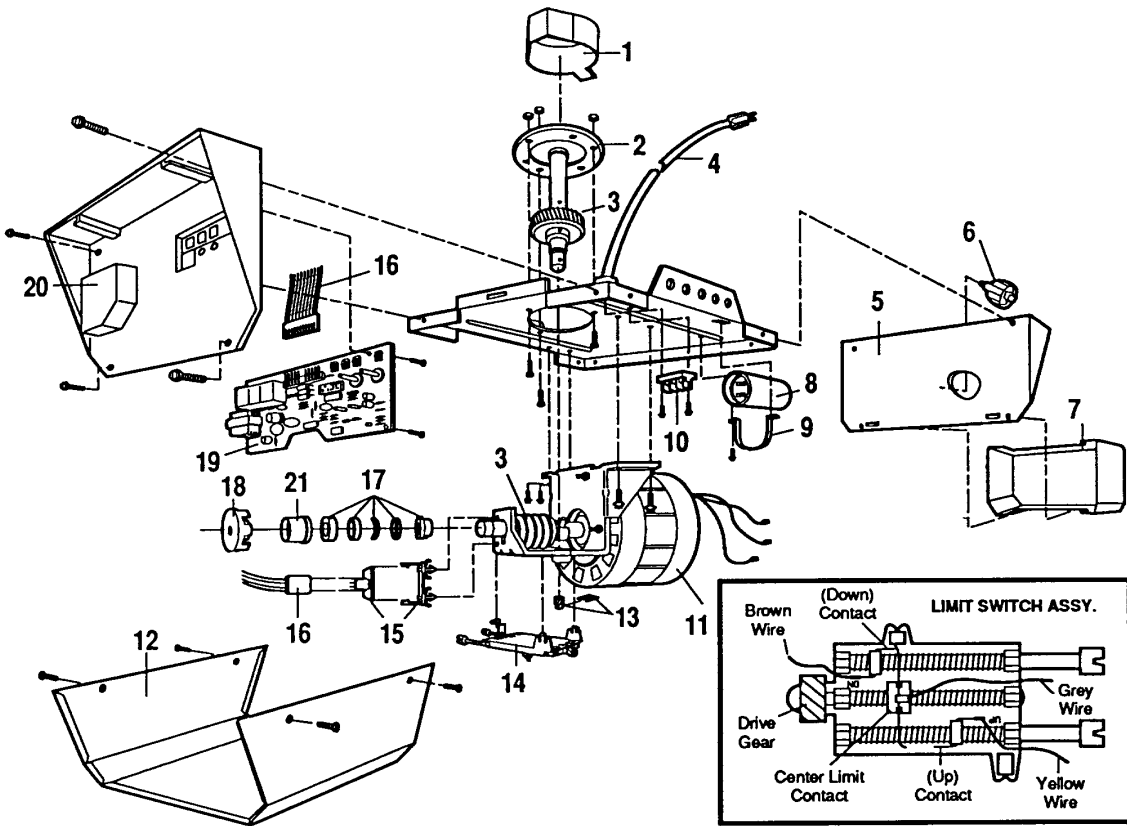
10

INSTALLATION PARTS



REPAIR PARTS

Opener Assembly Parts List



KEY NO.	PART NO.	DESCRIPTION	KEY NO.	PART NO.	DESCRIPTION
1	31D380	Sprocket cover	11	41d3058	Universal replacement motor and bracket assembly. Complete with: Motor, worm, bracket, bearing assy. RPM sensor
2	41C4220	Gear and sprocket assy. Complete with: Spring Washer Thrust Washer Retaining ring Bearing Plate Roll Pins (2) Drive gear and worm gear Helical gear w/retainer and grease	12	41A3474-1	Cover
3	41A2817	Drive/Worm gear kit w/ grease Roll pins (2)	13	41A2818	Helical gear and retainer w/grease
4	41B2991	Line cord	14	41D3452	Limit switch assembly
5	41A3075	End Panel	15	41C4398	RPM sensor assembly
6	175B88M	Light socket	16	41C4285	Wire harness assy. w/ plug
7	108D30-1	Lens	17	41C2826	Shaft bearing kit
8	30b363	Capacitor	18	41A2822	Interrupter cup assy.
9	12A373	Capacitor Bracket	19	41A4207-1	Receiver logic board assy. Complete with: End panel w/all labels Motor shaft insulator tube NOT SHOWN Chassis assy. hardware kit (includes screw not designated by a number in illustration)
10	41A3150	Terminal w/screw	20	41A3694	End panel w/all labels
			21	206A65	Motor shaft insulator tube

Garage Door
Opener Models:
139.536251SR
139.536191SR
139.536181SR
139.536151SR
139.536141SR

HOW TO ORDER REPAIR PARTS

Now that you have purchased your Sears Garage Door Opener, should a need ever exist for repair parts or service, simply contact any Sears Service Center and most Sears Roebuck and Co. Stores. Be sure to provide all pertinent facts when you call or visit.

The MODEL NUMBER of your garage door opener is printed on a label located on the left side panel of the opener.

All parts listed may be ordered from any service center and most Sears stores. **TO ORDER REPAIR PARTS, ALWAYS GIVE THE FOLLOWING INFORMATION :**

- PART NUMBER
- PART DESCRIPTION
- MODEL NUMBER
- NAME OF ITEM

If the parts you need are not stocked locally, your order will be electronically transmitted to a Sears Repair Parts Distribution Center for handling.

If your suspect radio control malfunction, contact your nearest SEARS Service Center.

MAINTENANCE AGREEMENTS YOUR WAY TO BUY TOMORROW'S SERVICE TODAY'S PRICE

With nationwide service and the benefits of a Sears warranty plus a Sears maintenance agreement, you don't have to worry about costly repairs resulting from normal use.

The maintenance agreement does not cover installation or re-installation of the product or damage resulting from external causes such as: acts of abuse, fire, flood, wind, lightning, freezing, etc.

To Purchase a Sears Maintenance Agreement - Ask Any Salesperson or Call Sears Service Today.

SEARS WARRANTY

FULL 90 DAY WARRANTY ON GARAGE DOOR OPENER

For 90 days from the date of purchase, Sears will repair any defect in material or workmanship at no charge .

LIMITED WARRANTY

From the 91 st day until one year from the date of purchase, Sears will furnish replacement parts for any defective parts, free of charge. You pay for labor.

LIMITED WARRANTY ON 1/2 HP MOTORS FOR CRAFTSMAN OPENERS

After 1 year and through 5 years, Sears will furnish replacement parts for any defective parts in motor, free of charge. You pay for labor.

LIMITATION ON LIABILITY

Sears will not be liable for loss or damage to property or any incidental or consequential loss or expense from property damage due directly or indirectly from the use of this product. Some states do not allow the exclusion or limitation of incidental or consequential damages, so the above limitation or exclusion may not apply to you. This warranty does not cover repairs necessary because of operator abuse or negligence, including failure to install, adjust and operate the opener according to instructions contained in the owner's manual.

WARRANTY SERVICE IS AVAILABLE BY SIMPLY CONTACTING THE NEAREST SEARS STORE OR SERVICE CENTER IN THE UNITED STATES.

This warranty gives you specific legal rights, and you may also have other rights which vary from state to state.

SEARS ROEBUCK AND COMPANY. Dept. 731CR-W Sears Tower. Chicago, IL 60684