



Anleitung für Montage, Betrieb und Wartung

Garagentorantrieb

Installation, Operating and Maintenance Instructions

Garage Door Operator

Notice de montage, d'utilisation et d'entretien

Motorisation pour porte de garage

Handleiding voor montage, bediening en onderhoud

Garagedeuraandrijving

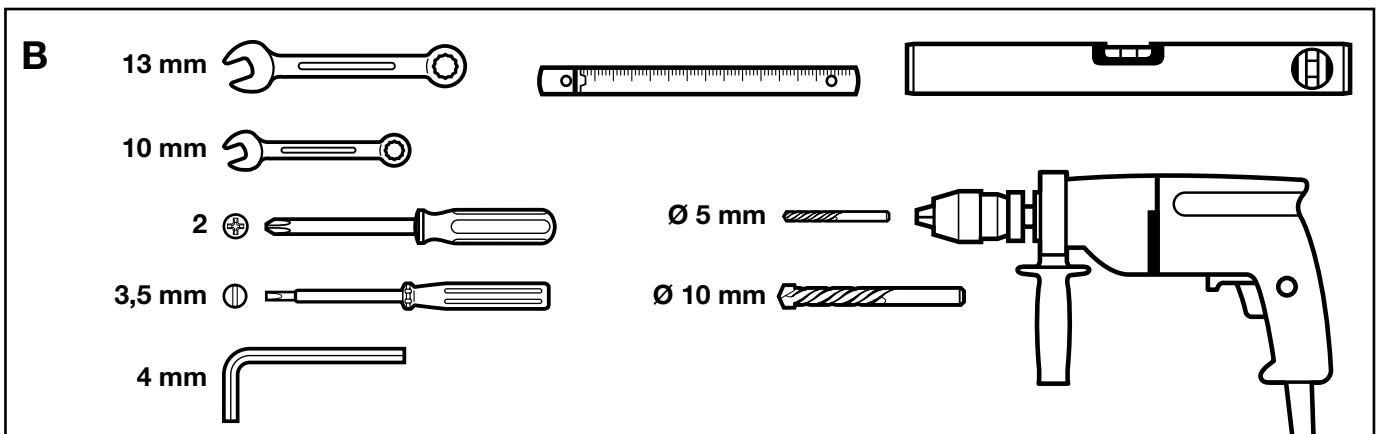
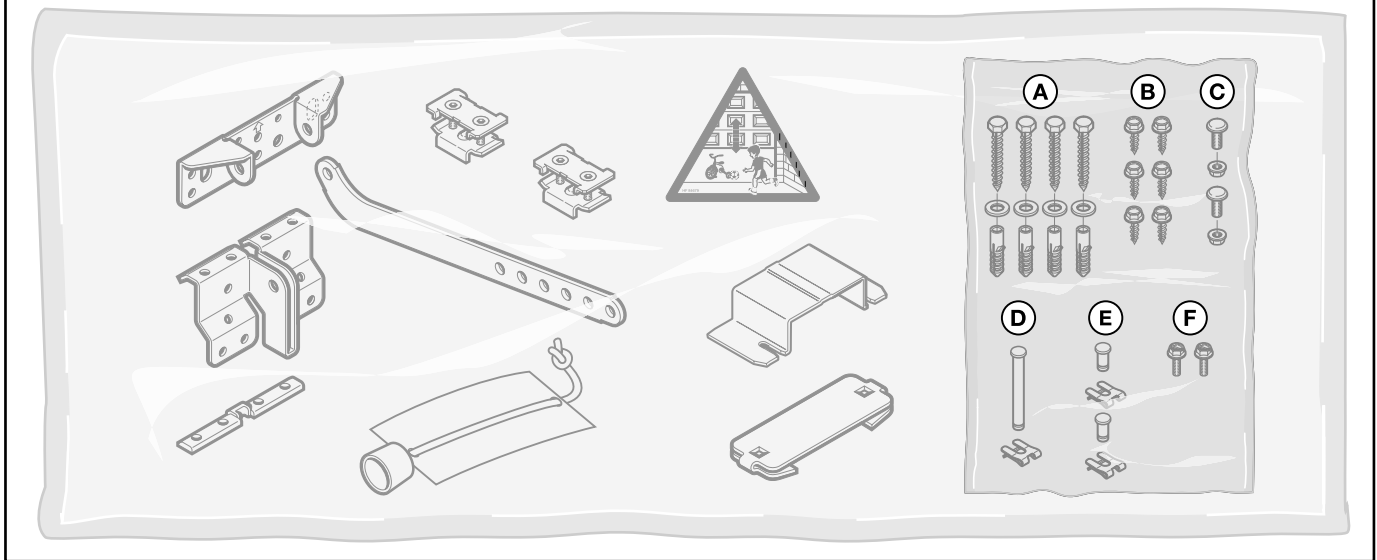
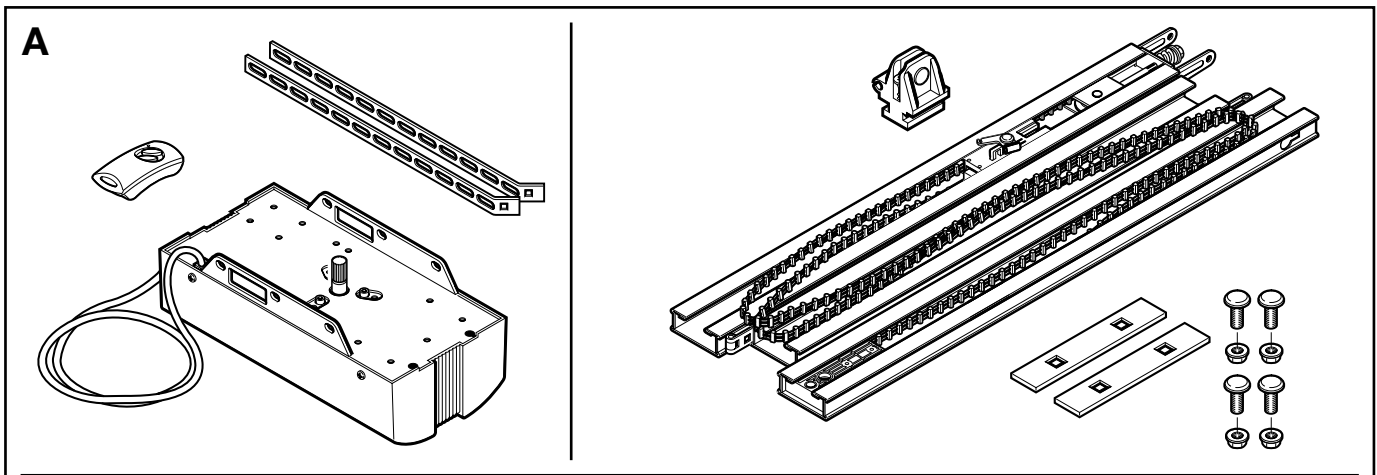
Istruzioni per il montaggio, l'uso e la manutenzione

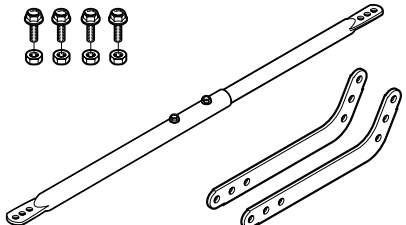
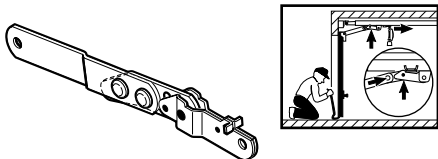

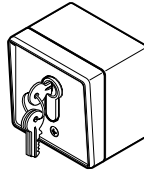
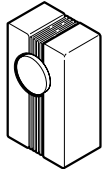
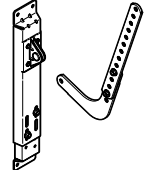
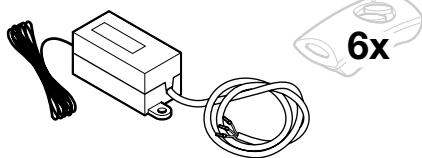
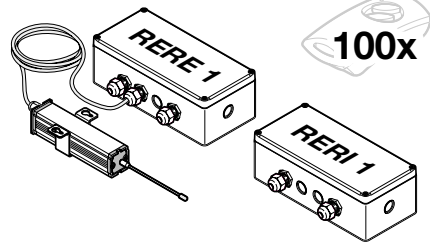
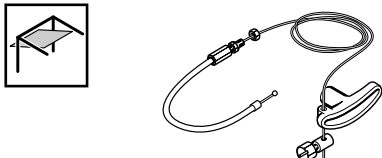
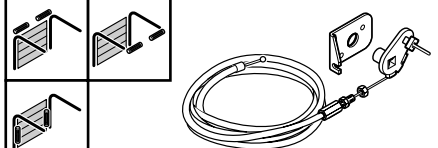
Della motorizzazione per porte da garage

Instrucciones de montaje, servicio y mantenimiento

Automatismo para puertas de garaje

Deutsch..... 4
 English 8
 Français 12
 Nederlands 16
 Italiano 20
 Español24



<p>C₁</p>		<p>Extended door link If clearance between the door's highest point of travel and the ceiling is less than 30 mm, the garage door operator can also be fitted behind the opened door, provided that sufficient space is available. In these cases an extended door link must be used. Item No. 436 140 for an offset lintel of 1,200 mm Item No. 436 141 for up-and-over doors up to 2,625 mm high for sectional doors (tracks N) up to 2,375 mm high for sectional doors (tracks L or Z) up to 2,375 mm high Item No. 436 142 for up-and-over doors up to a max. height of 2,750 mm for sectional doors (tracks N/or Z) up to a max. height of 3,000 mm</p>
<p>C₂</p>		<p>Door security kit When the door closes, the angled fitting bracket of the door security kit engages behind the boom stop. This provides effective protection to prevent the door from being forced open. Item No. 437 194</p>
<p>C₃</p>		<p>RSE2 Hand transmitter This 2-button hand transmitter works with a rolling code (frequency: 433.92 MHz), which changes with every transmission. The hand transmitter features two buttons, i.e. with the second button you can open a further door or switch on the outdoor lighting, provided that an optional receiver is available. Item No. 437 330</p>
<p>C₄</p>		<p>Surface-mounted/Recessed key switch This allows you to control the operator from the outside simply by turning a key. Two versions in one - recessed or surface-mounted. Item No. 436 080</p>
<p>C₅</p>		<p>Interior button The interior button is extremely practical since it allows you to conveniently open and close the door from inside the garage; includes 7 m of connecting cable (2-core) and fixings. Item No. 436 083</p>
<p>C₆</p>		<p>Fitting bracket for sectional doors (other brands) Item No. 436 053</p>
<p>C₇</p>		<p>Receiver RE 1 This single-channel receiver allows a garage door operator to be controlled via six other hand transmitters (buttons). Hand transmitter users: 6 Frequency: 433.92 MHz (rolling code) Operating voltage: 24 V DC Protection category: for dry premises only Item No. 437 095</p>
<p>C₈</p>		<p>Receiver RERI 1 / RERE 1 This single-channel receiver allows a garage door operator to be controlled via 100 further hand transmitters (buttons). Hand transmitter users: 100 Frequency: 433.92 MHz (rolling code) Operating voltage: 24 V DC/AC or 230/240 V AC Relay output functions: - ON/OFF - 3-min. light (phase can be extended) - 3-min. light (phase can be shortened), Protection category: IP 65 RERI 1 Item No. 437 397 RERE 1 Item No. 437 398</p>
<p>C₉</p>		<p>For garages without a second entrance an emergency release is required to prevent anyone from getting locked in the garage. Emergency release for up-and-over "Berry" doors N 80 / DF 98 Item No. 437 170</p>
<p>C₁₀</p>		<p>Emergency release for sectional doors Item No. 437 180</p>

CONTENTS	PAGE		PAGE
A Supplied Items	2	4 Integral Radio Receiver	54
B Required Tools for Installation	2	4.1 Programming the integral radio receiver for the selected hand transmitter button	54
C Accessories for the Garage Door Operator	7	4.2 Deleting the memory locations of all hand transmitter users in the integral radio receiver	54
1 Important Notes	9	5 Guarantee terms	54
1.1 Important safety instructions	9	6 Technical Data	55
1.1.1 We shall be exempt from our warranty obligations and product liability in the event that ...	9	7 Miscellaneous	55
1.1.2 Checking the door / door system	9	7.1 Hand transmitter RSE 2	55
1.2 Important instructions for safe installation	9	7.1.1 Putting into service / Changing the battery	55
1.2.1 Prior to installation	9	7.1.2 Technical data of hand transmitter RSE2	55
1.2.2 In carrying out the installation work	9	8 Spare Parts	88
1.3 Warnings	10		
1.4 Maintenance advice	10		
1.5 Information on the illustrated section	10		
		Illustrated Section	27-40
2 Installation Instructions	49		
2.1 Required clearance for installing the operator	49		
2.2 Door latches on an up-and-over door	49		
2.3 Door latches on a sectional door	49		
2.4 Up-and-over doors with a forged iron door handle	49		
2.5 Central locking on a sectional door	49		
2.6 Off-centred reinforcement profile on a sectional door	49		
2.7 Fitting the boom	49		
2.8 Tensioning the drive belt	49		
2.9 Checking that the carriage is smooth-running	49		
3 Putting into Service / Connecting Additional Components / Operation	49		
3.1 Establishing the door's end-of-travel positions by installing the limit stops	49		
3.2 Notes on work involving electrics	49		
3.3 Putting the operator into service	49		
3.3.1 Deleting the door data	50		
3.3.2 Programming the operator	50		
3.3.3 Setting the maximum forces	50		
3.4 Connecting of the additional components	51		
3.4.1 Integral Radio Receiver	51		
3.4.2 Connecting external IMPULSE buttons to start or stop travel cycles	51		
3.4.3 Connecting an OFF-switch or a wicket door contact to halt and / or switch off the operator	51		
3.4.4 Connecting a photocell or closing edge safety device	51		
3.5 Notes on operating the garage door operator	52		
3.5.1 Normal operation	52		
3.5.2 Operation following actuation of the mechanical release	52		
3.5.3 Signals from the operator lighting	52		
3.5.4 Error messages / diagnostic LED	53		

Copyright.
No part of this instruction manual may be reproduced
without our permission.
Subject to changes.

Dear Customer,

Thank you for choosing a quality product from our company. Please keep these instructions safe for later reference!

Please observe the following instructions. They provide you with important information on the safe installation and use of your garage door operator, thus ensuring that this product will give you pleasure for many years to come.

1 Important Information



ATTENTION
Incorrect installation or operation of the operator could result in serious injury. Please therefore follow these instructions carefully!

1.1 Important safety instructions regarding installation

This garage door operator is designed **exclusively** for the automated operation of spring-balanced up-and-over and sectional doors in the **non-commercial sector**. **Use in the commercial sector is not permitted!**

1.1.1 We shall be exempt from our warranty obligations and product liability in the event that the customer carries out his own structural changes or undertakes improper installation work or arranges for same to be carried out without our prior approval and contrary to the guidelines we have provided. Moreover, we shall accept no responsibility for the inadvertent or negligent operation or improper maintenance of the door, the accessories and the weight counterbalance of the door. Batteries and light bulbs are also not covered by the warranty.

1.1.2 Checking the door / door system

The design of the operator is not suitable nor intended for the opening and closing of heavy doors, i.e. doors that can no longer be opened or closed manually or where this is only possible with great difficulty. **Before installing the operator, it is therefore necessary to check the door and make sure that it can also be easily moved by hand.**

To do this, raise the door approx. 1 metre and then let it go. The door should keep this position, moving neither up nor down. If the door should move in any of the two directions, there is a risk that the compensating springs are incorrectly adjusted or defective. In this case increased wear and malfunctioning of the door system can be expected.



CAUTION!
 Do not attempt to change, re-adjust, repair or move the compensating springs for the door's counterbalance mechanism or their holders. The springs are under great tension and can cause serious injury.

In addition, check the entire door system – joints / hinge points, door bearings, cables, springs and

fastenings – for wear, possible damage and a faulty counterbalance mechanism. Check for signs of rust, corrosion or fractures. The door system may not be used if repair or adjustment work needs to be carried out. Always remember that a fault in the door system or a wrongly aligned door can also cause injury.

Note

Before installing the operator and in the interests of your own safety have any work on the door's compensating springs and if necessary any maintenance and repair work carried out by your garage door's service engineers!

1.2 Important instructions for safe installation

Any further processing must ensure that the national regulations governing the operation of electrical equipment are complied with.

1.2.1 Before installing the garage door operator, check that the door is in a good mechanical condition, is correctly balanced and opens and closes in the proper manner (see 1.1.2).

In addition, any of the door's mechanical locks and latches not needed for power operation of the garage door, should be immobilised. This includes in particular any locking mechanisms connected with the door lock (see 2.2 and 2.3).

The garage door operator is designed for use in dry buildings and therefore may not be installed outdoors. The garage ceiling must be constructed in such a way as to guarantee safe, secure anchoring of the operator. In the case of ceilings that are too high or too light-weight, the operator must be attached to additional braces.

1.2.2 On carrying out installation work the applicable regulations regarding working safety must be complied with.



ATTENTION
Always cover over the operator before drilling. Drilling dust and chippings can lead to malfunctions!

The clearance between the highest point of the door and the ceiling (also when the door is opening) must be at least 30 mm (see fig. 1.1a and fig. 1.1b). If there is inadequate clearance, the operator may also be installed behind the opened door, provided sufficient space is available. In such instances an extended door link (see accessories for the garage door operator / C1) must be used. The door operator can be positioned off-centre by a maximum of 50 cm, the exception being sectional doors with high-lift tracks (track application "H"), where a special track fitting is required.

The required shock-proof electric socket should be installed next to the operator head at a distance of approx. 50 cm. **Please check these dimensions!**

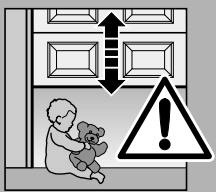
Note

A caution notice warning about the trap risk must be permanently fixed in a conspicuous place in the proximity of the permanently installed buttons used to actuate the operator.

1.3 Warnings

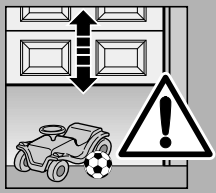


Permanently installed controls (such as buttons or similar devices) should be installed within sight of the door but well away from any moving parts and at a height of at least 1.5 metres. It is vital that they are installed out of the reach of children!



Make sure that

- neither persons nor objects are located within the door's range of travel
- children do not play around with the door system!



- the cord of the operator's mechanical release on the carriage cannot get caught up in the ceiling's support system or in any other protruding parts of vehicles or the door.



ATTENTION

For garages without a second entrance, an **emergency release** (see accessories for the garage door operator / C9 and C10) must be fitted to ensure that nobody can get locked in. This must be ordered separately and its function checked once a month.



ATTENTION

Do not allow anyone to hang bodily from the pull cord with knob!

1.4 Maintenance advice

The garage door operator is maintenance-free. For your own safety, however, we recommend that you have the door system checked once a year by your garage door service engineers.

1.5 Notes on the illustrated section

The illustrated section shows installation of the operator on an up-and-over door.

Where installation differs for a sectional door, this is shown in addition. In this instance, the letter

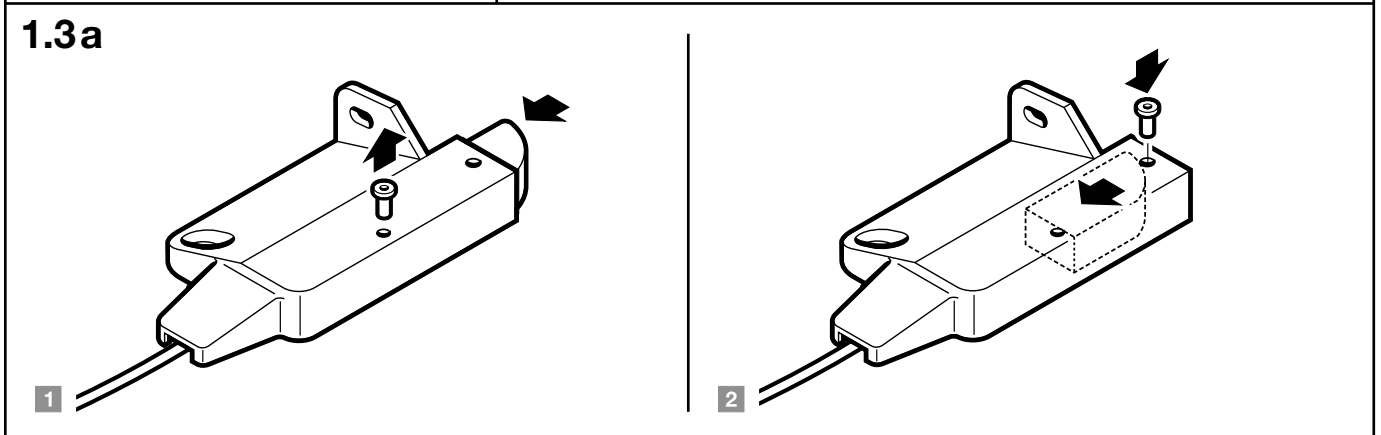
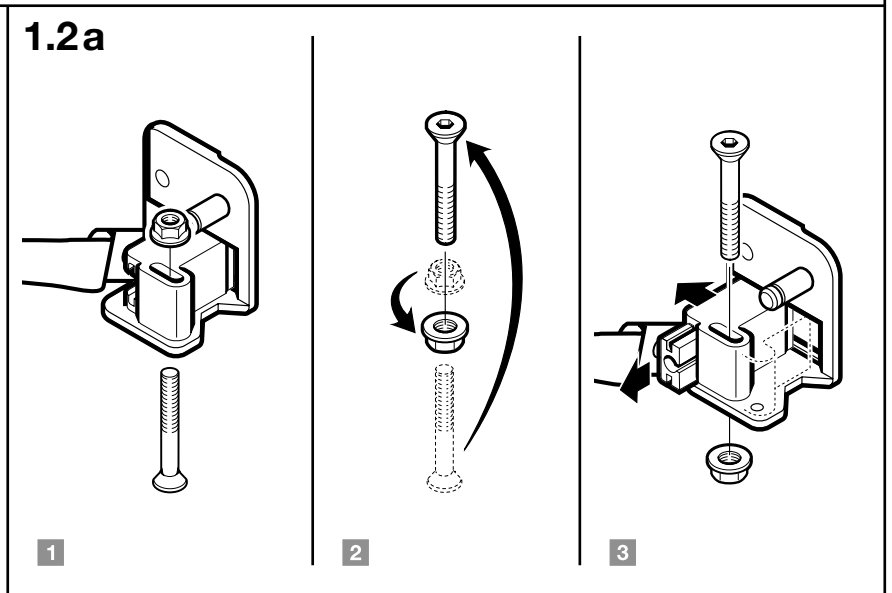
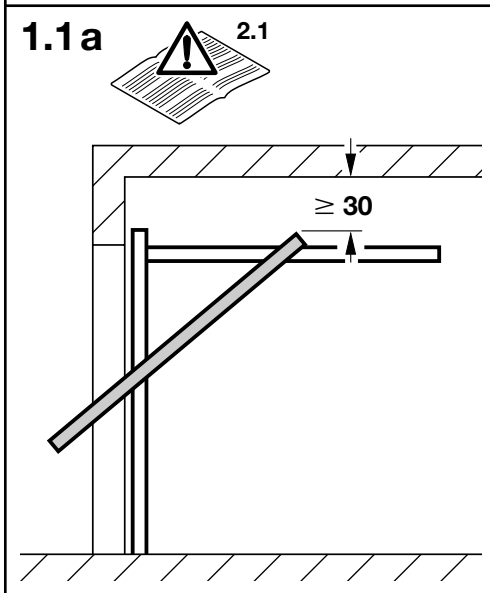
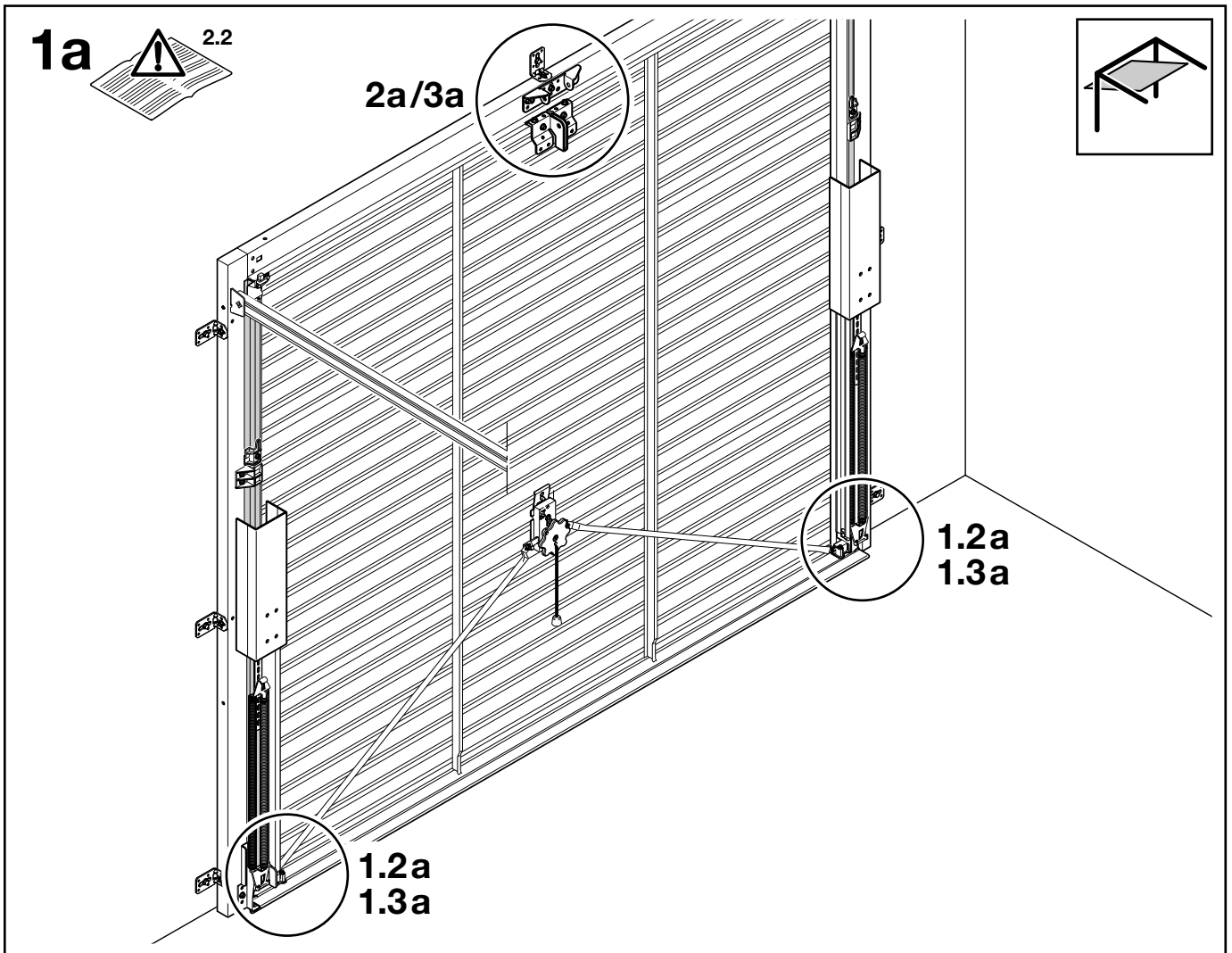
- a** is assigned to the **up-and-over door** and
- b** to the **sectional door**.

Some of the figures also include the symbol shown below together with a text reference. These references to specific texts in the ensuing text section provide you with important information regarding installation and operation of the garage door operator.

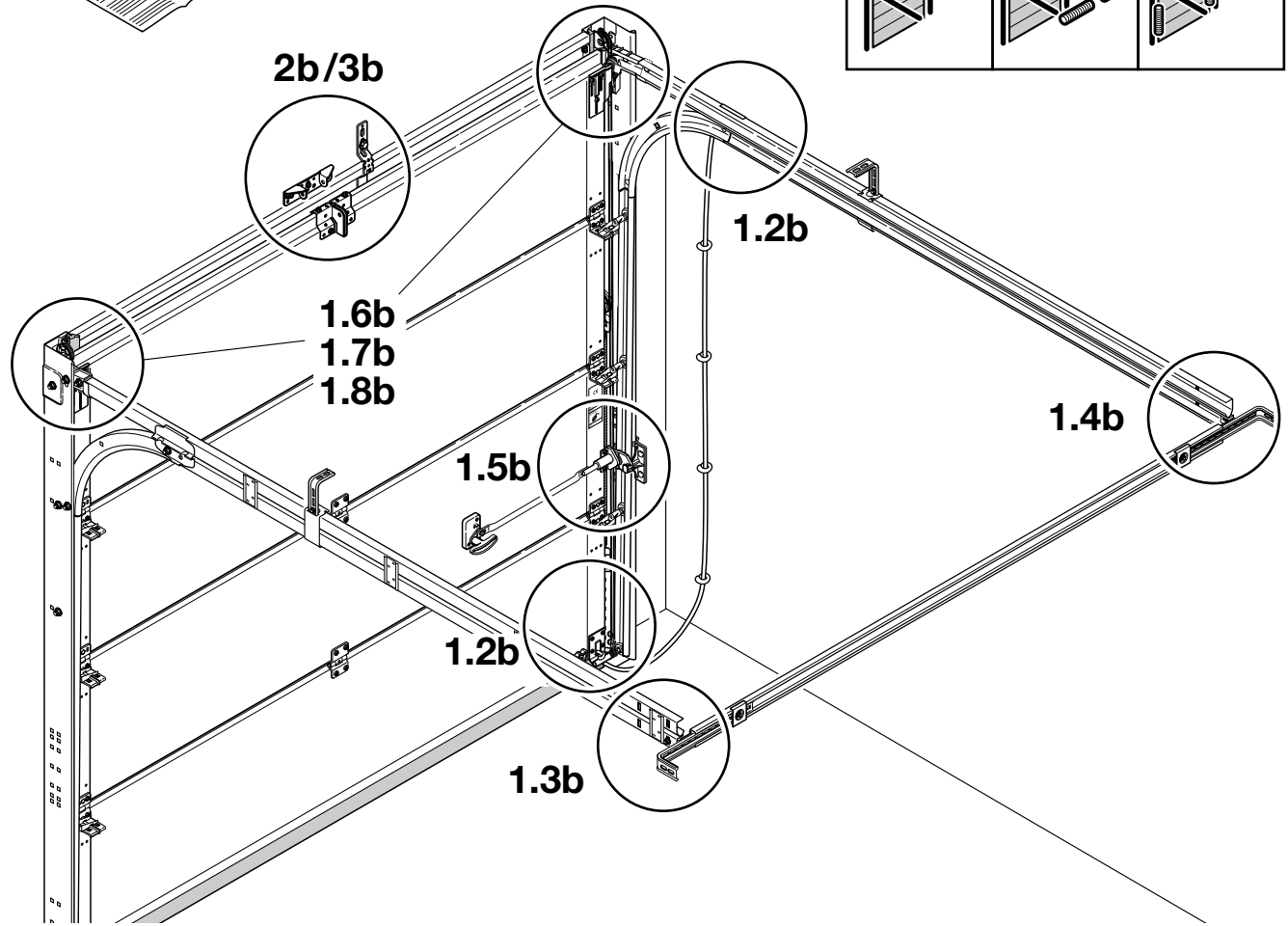
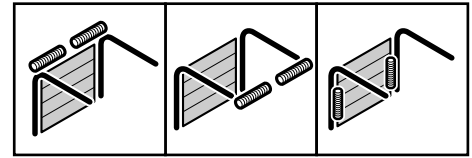
Example:



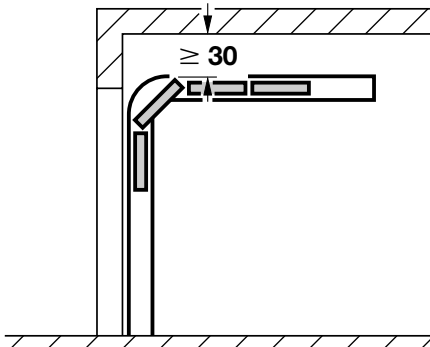
= see text section, point 2.2



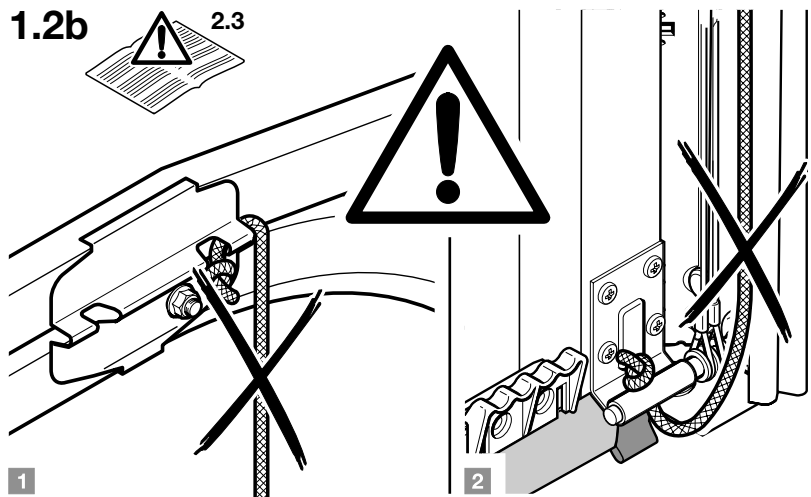
1b  2.3



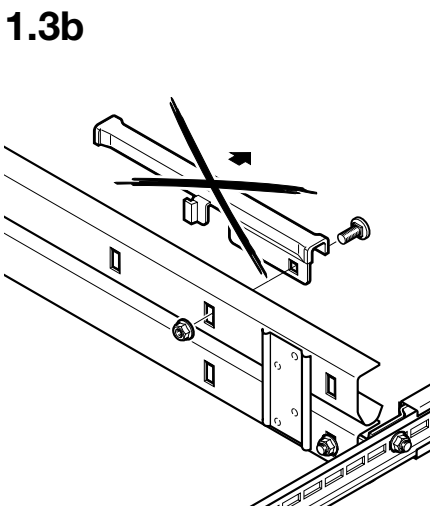
1.1b  2.1



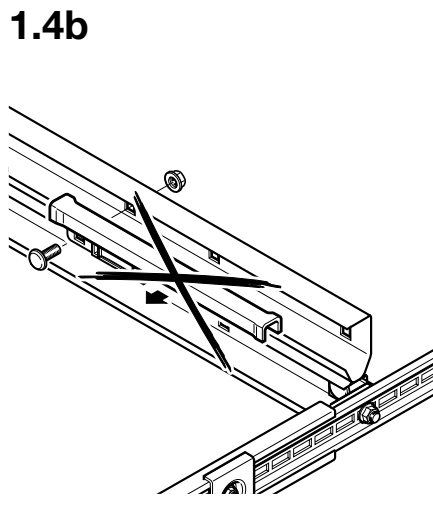
1.2b  2.3



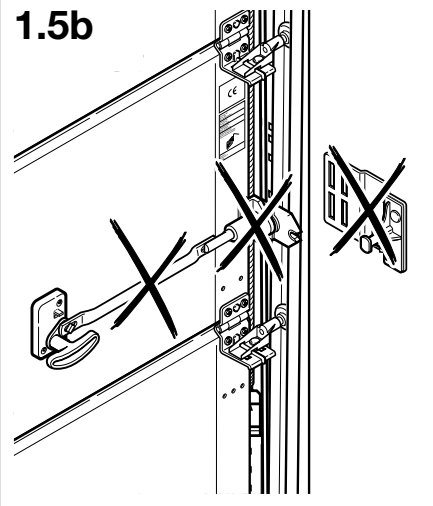
1.3b



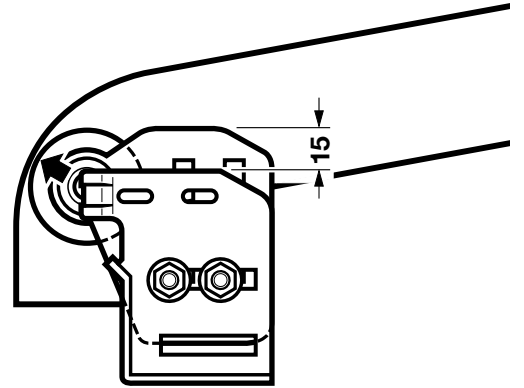
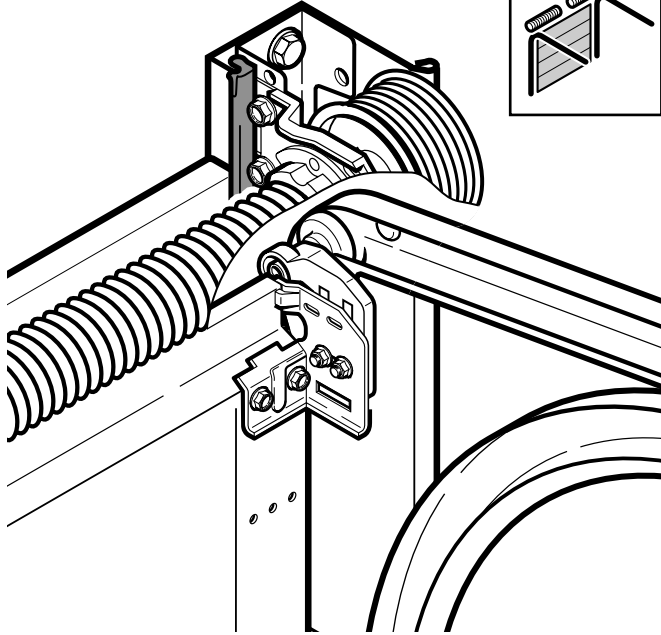
1.4b



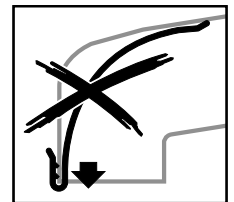
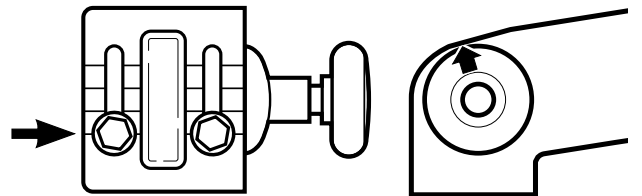
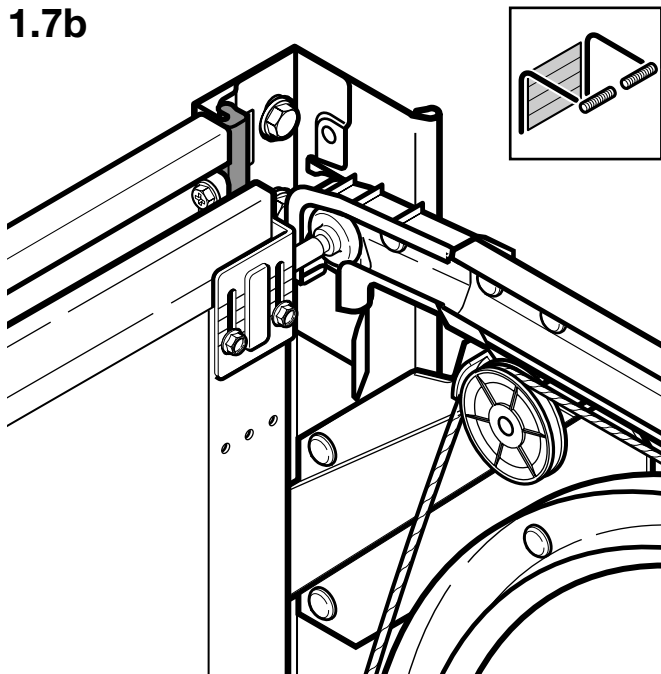
1.5b



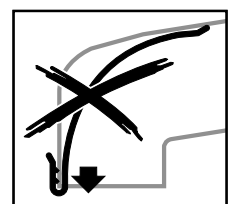
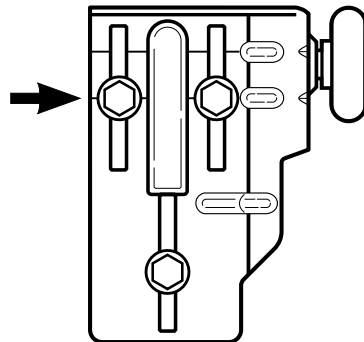
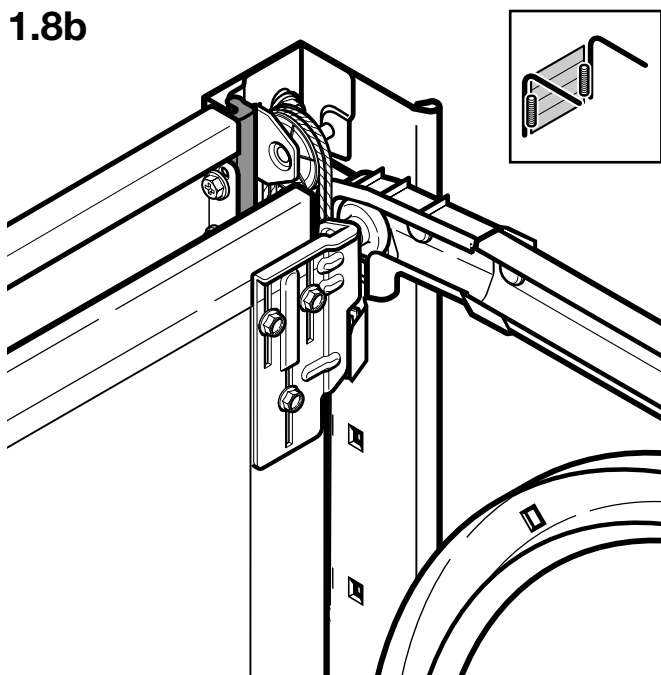
1.6b

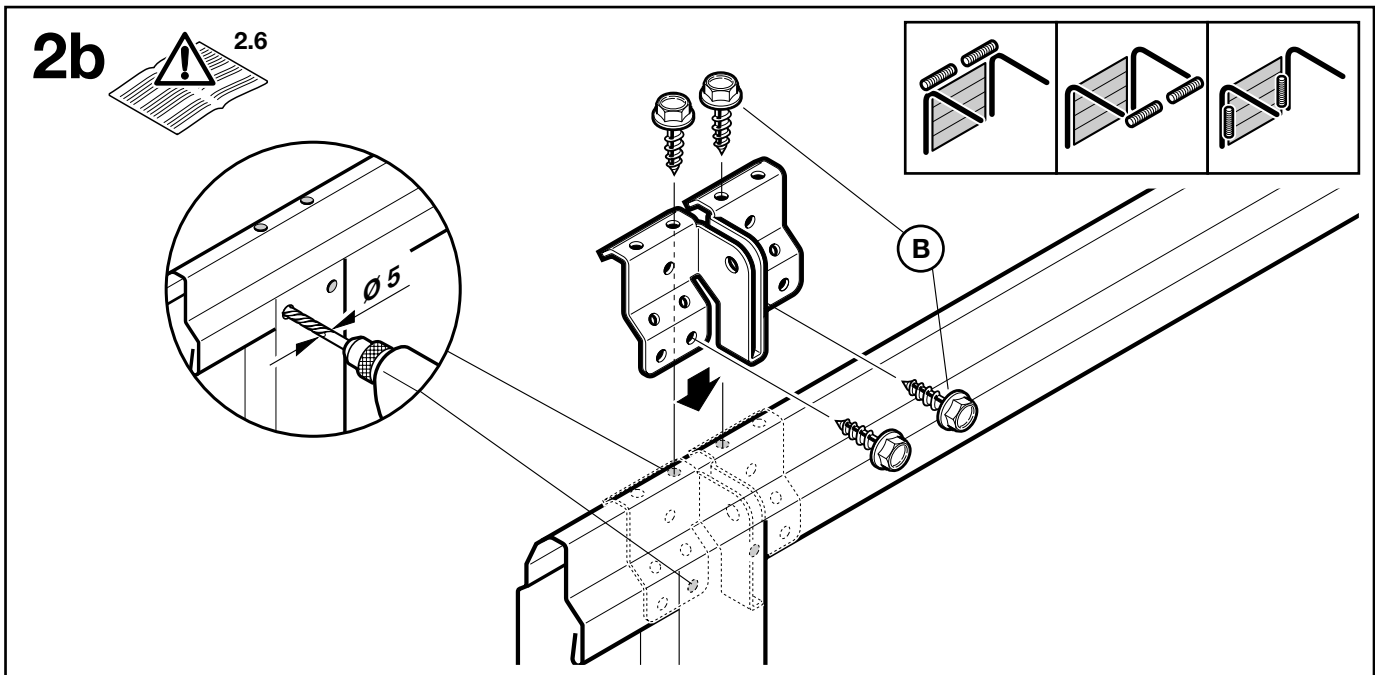
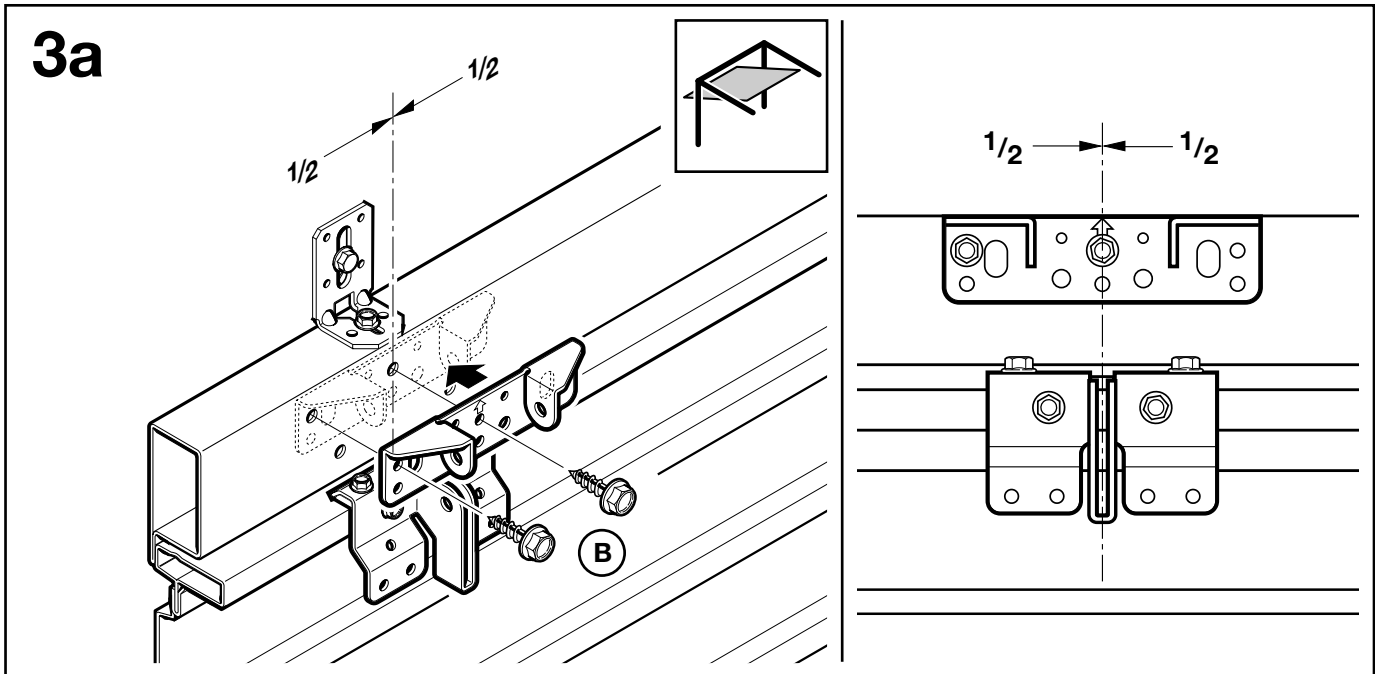
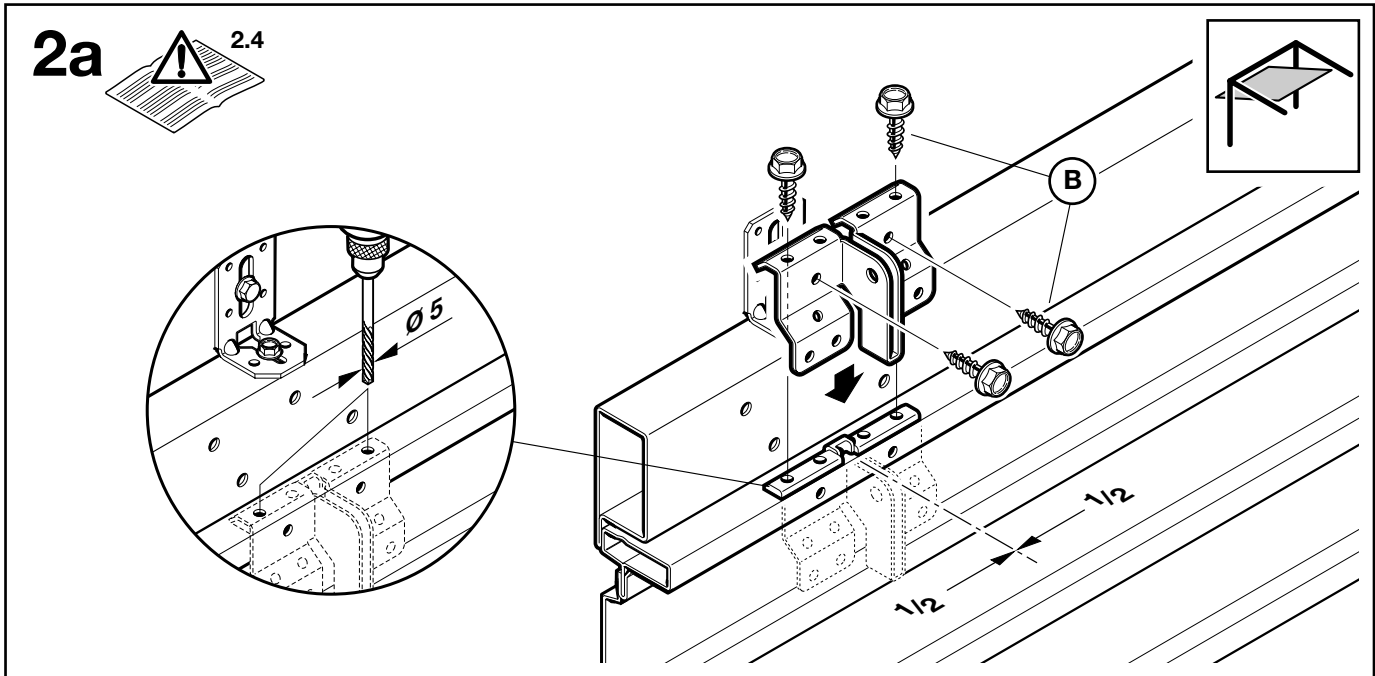


1.7b

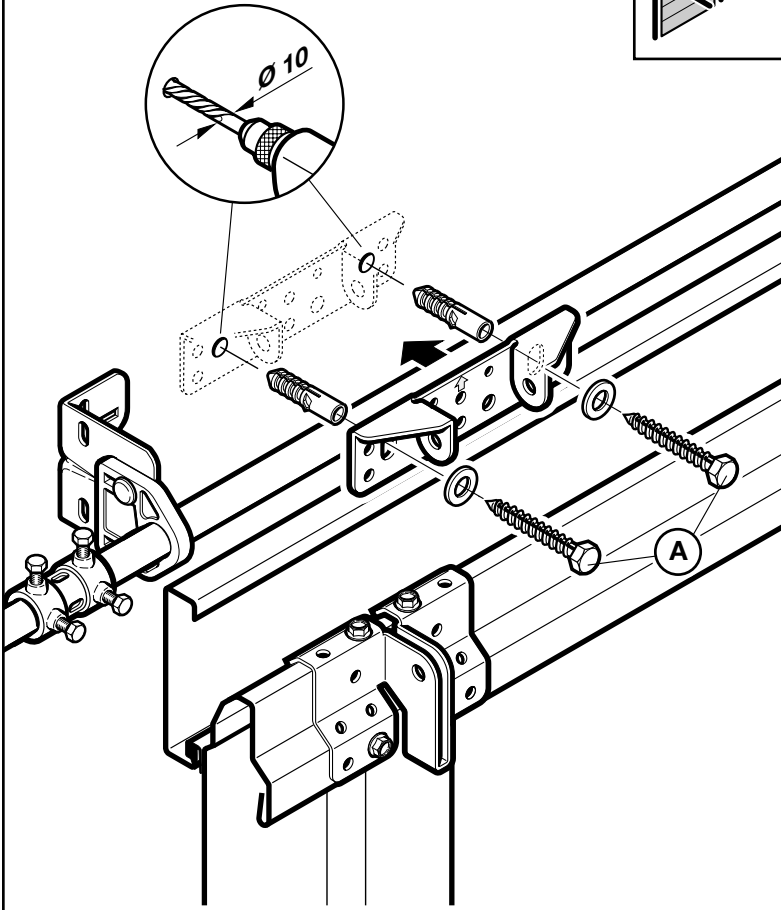
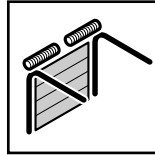


1.8b

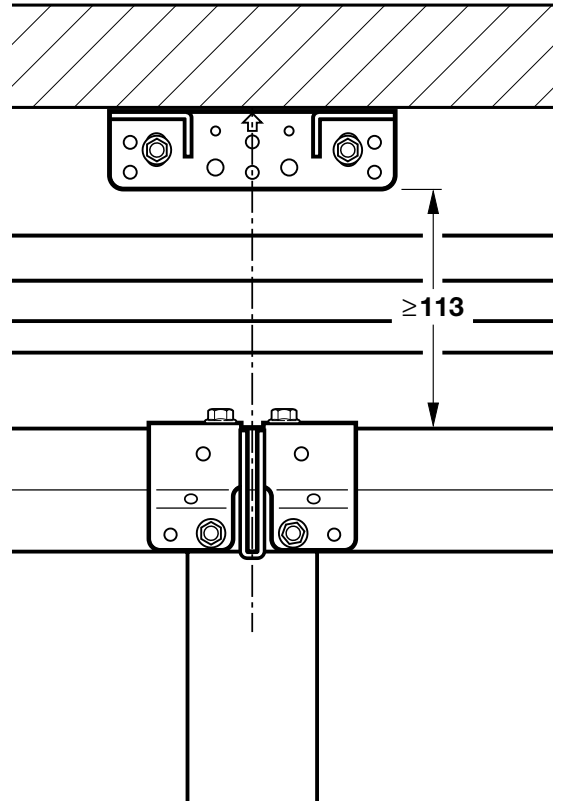




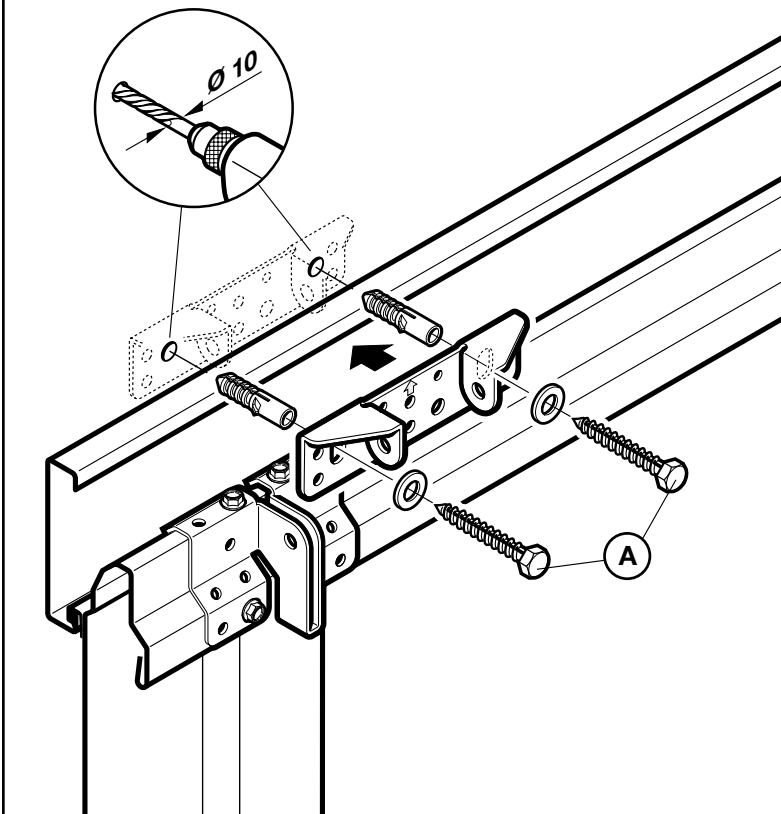
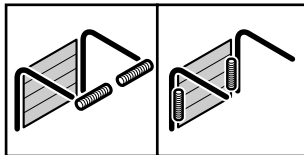
3.1b



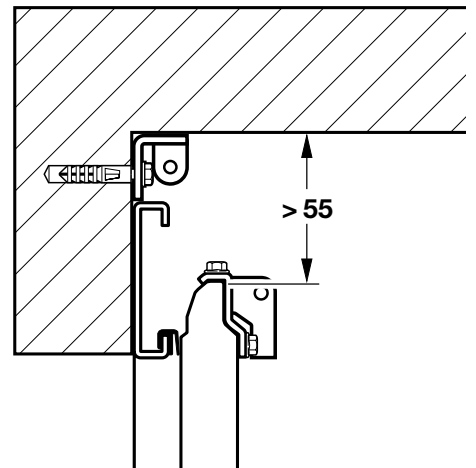
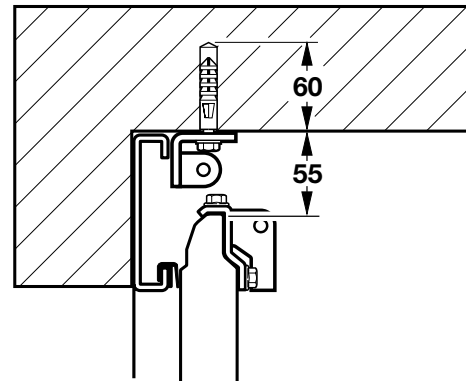
LTE/LPU/LTH 40



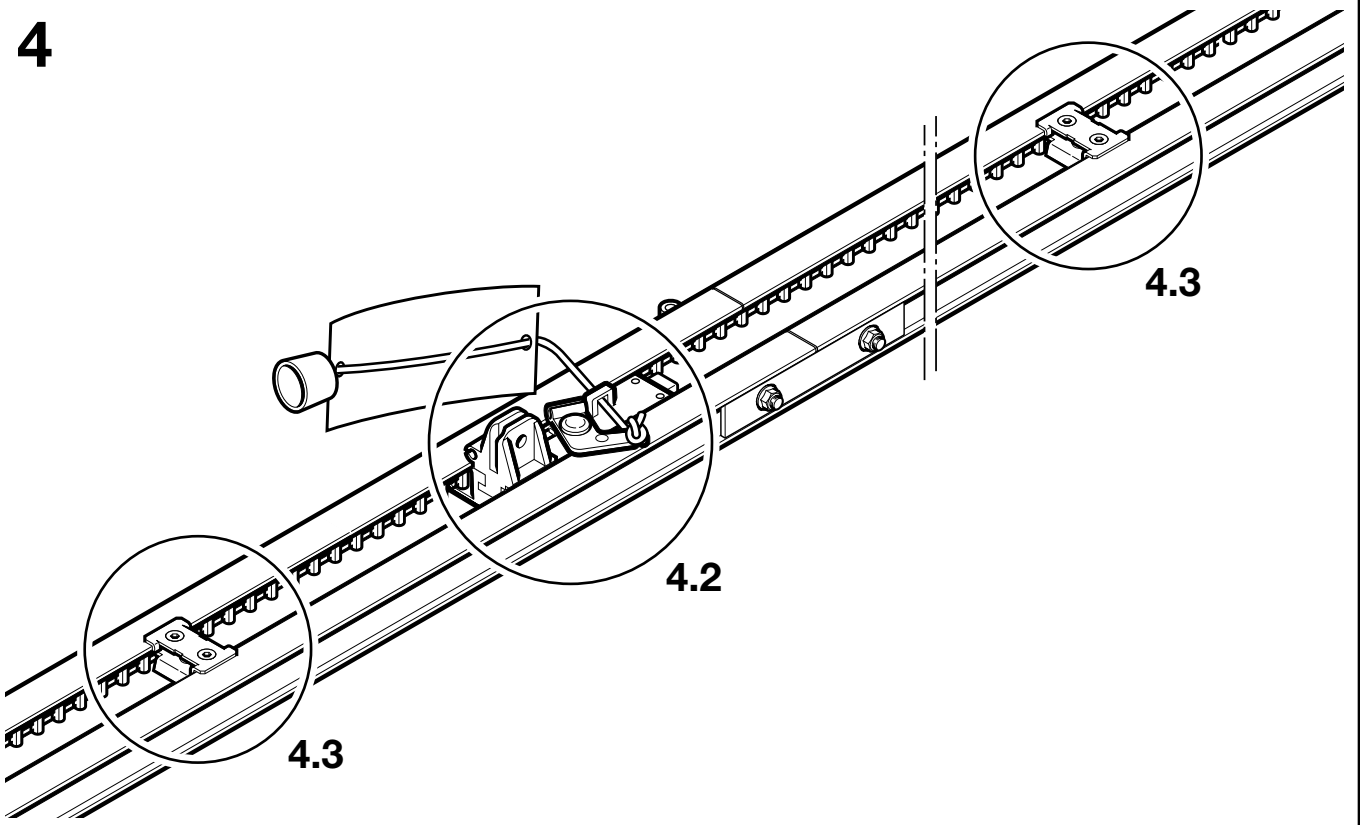
3.2b



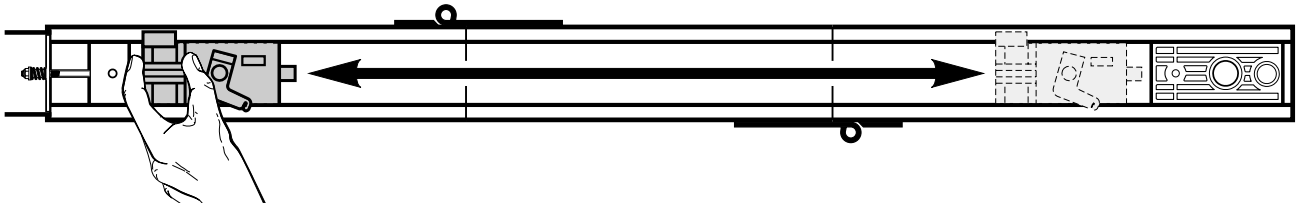
LTE/LPU/LTH 40



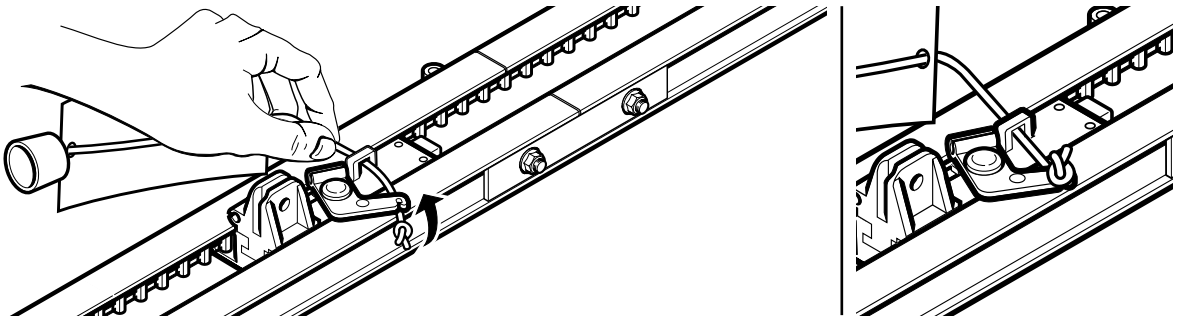
4



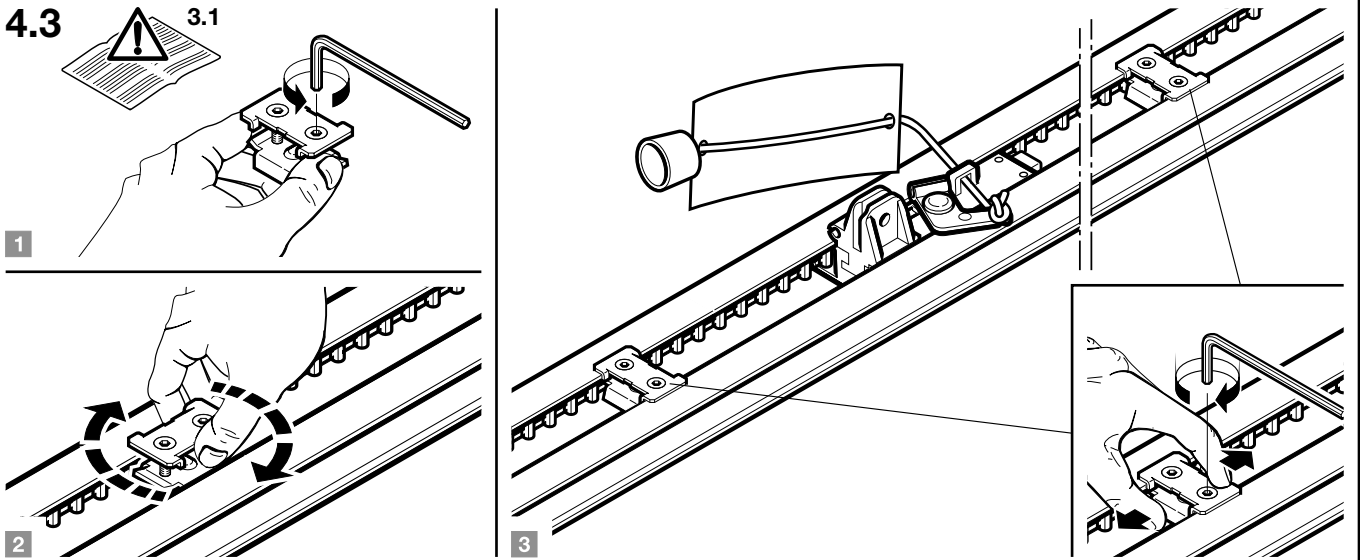
4.1  2.9

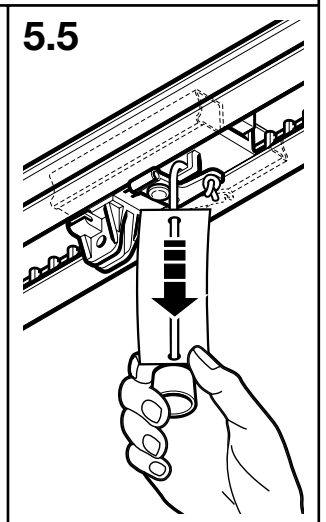
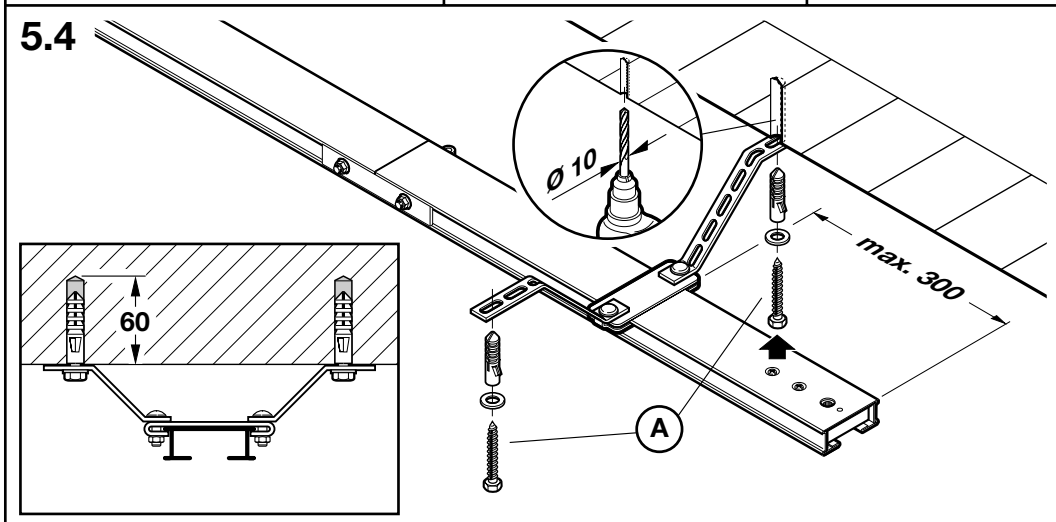
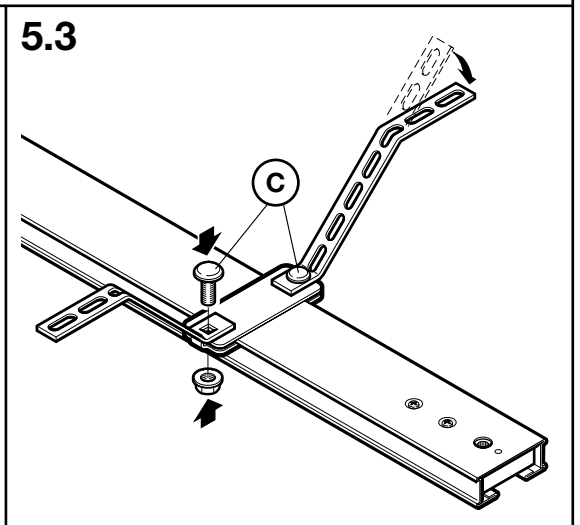
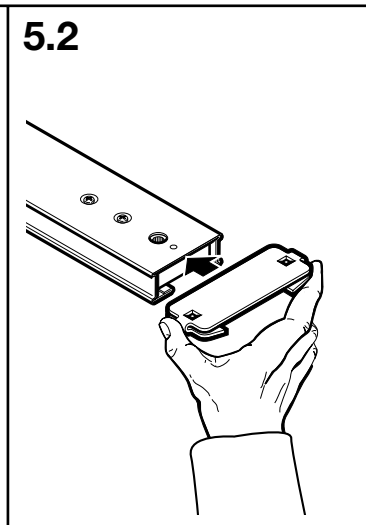
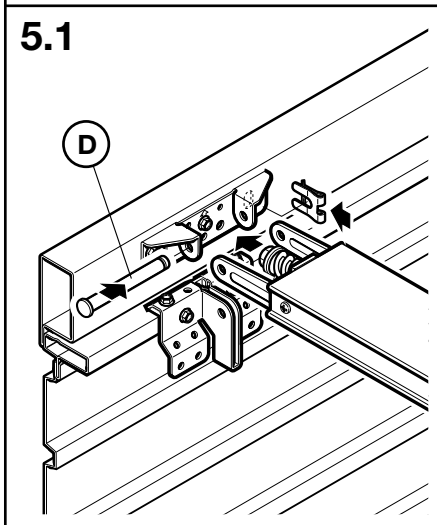
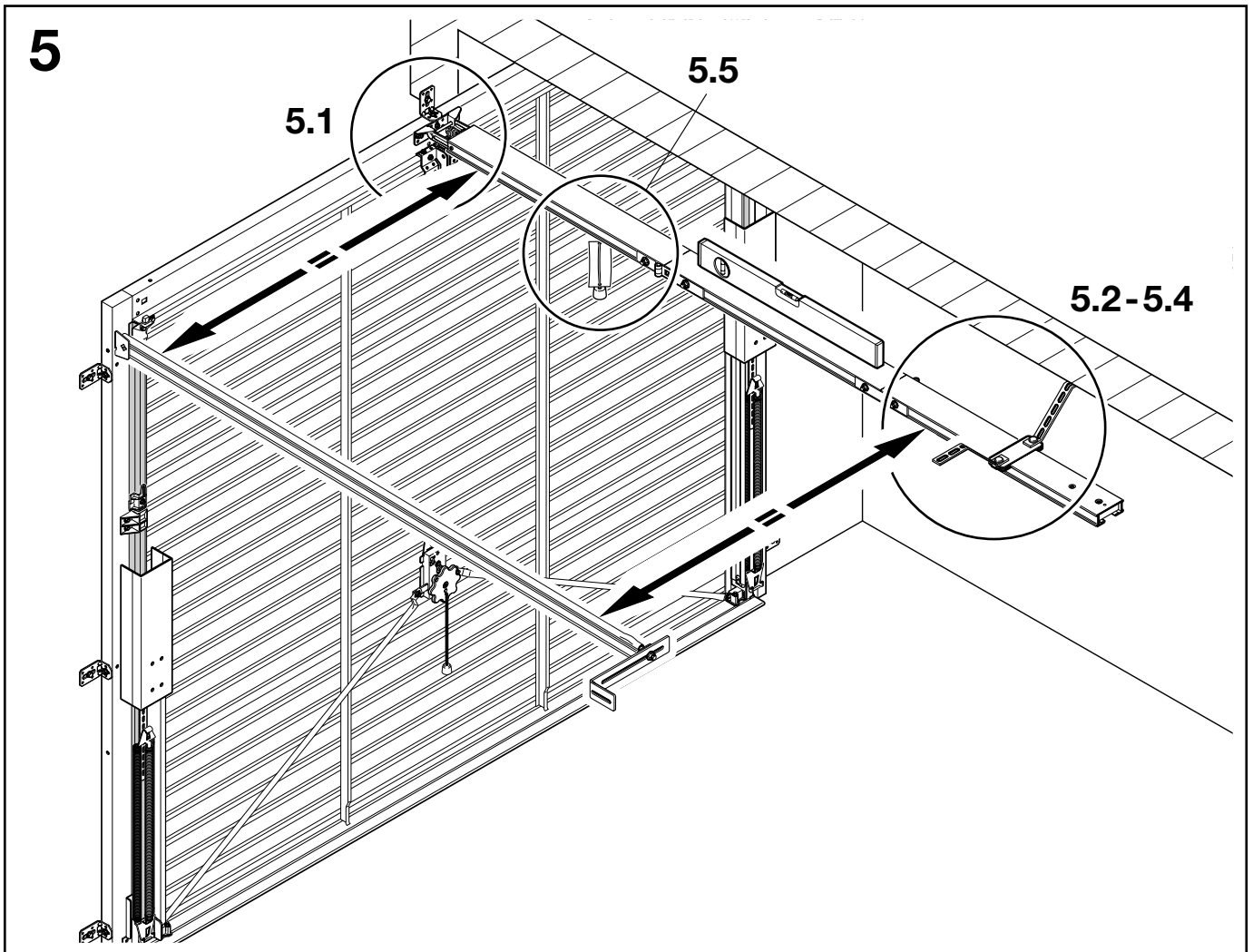


4.2



4.3  3.1

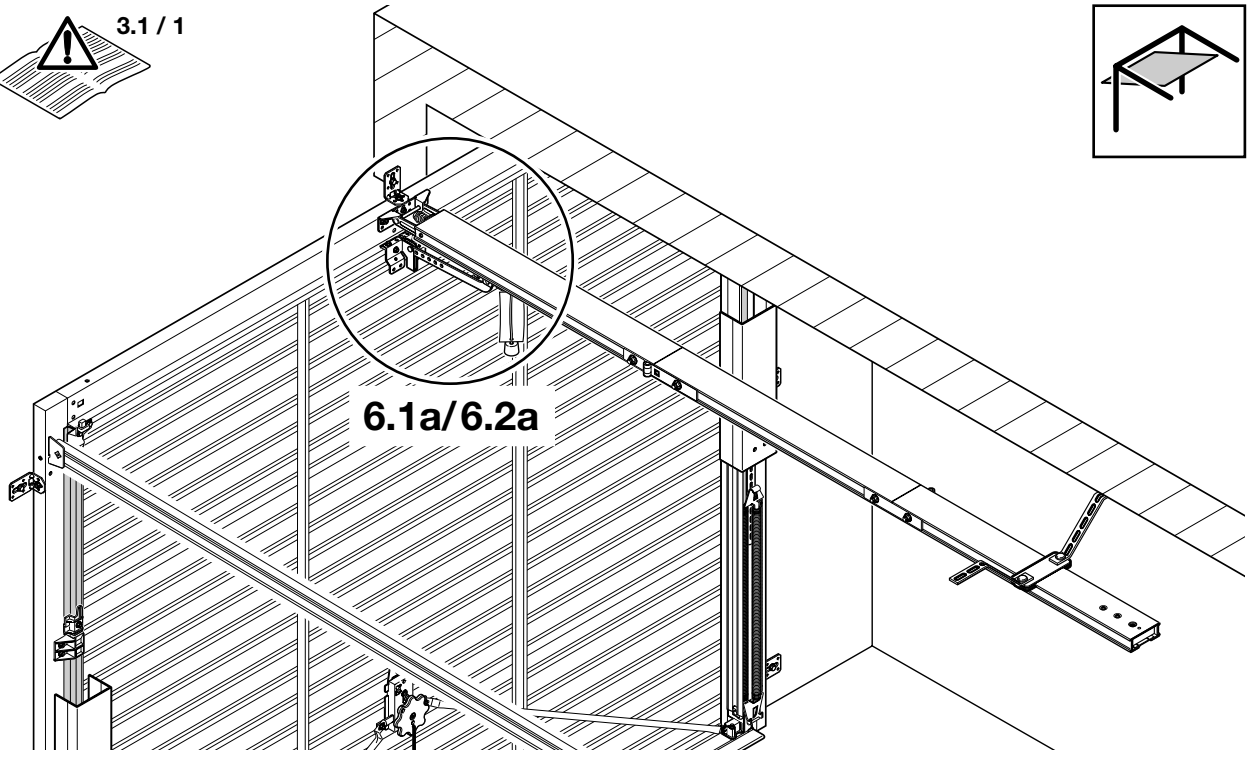




6a



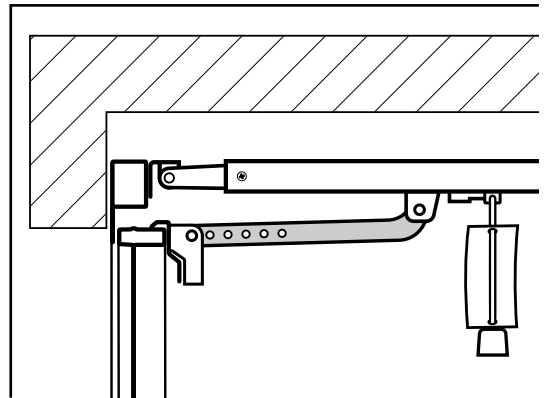
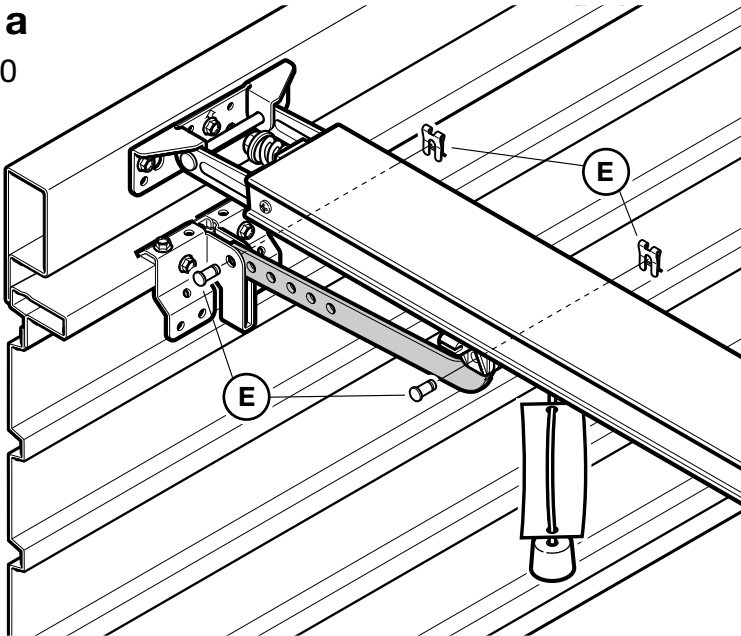
3.1 / 1



6.1a/6.2a

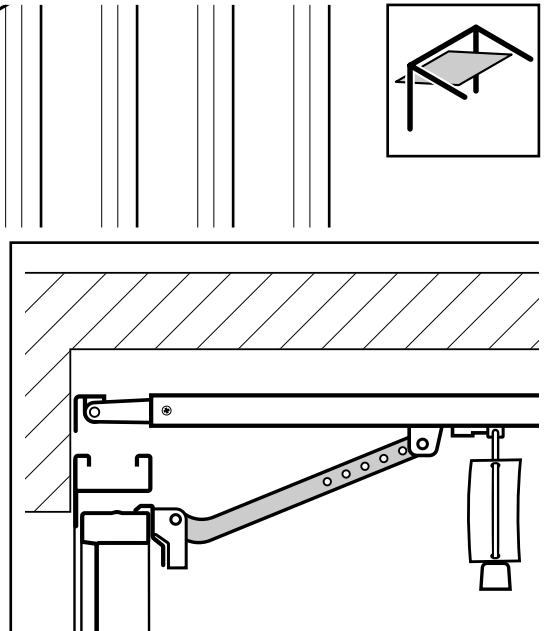
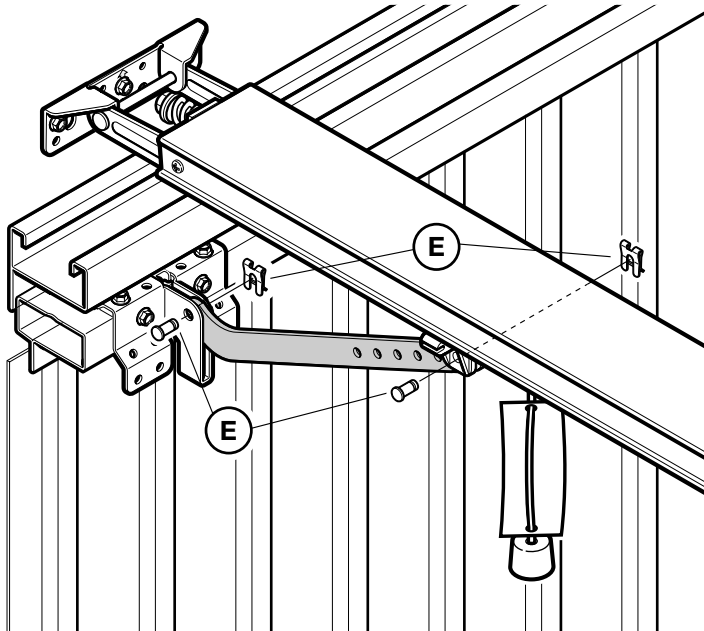
6.1a

N 80



6.2a

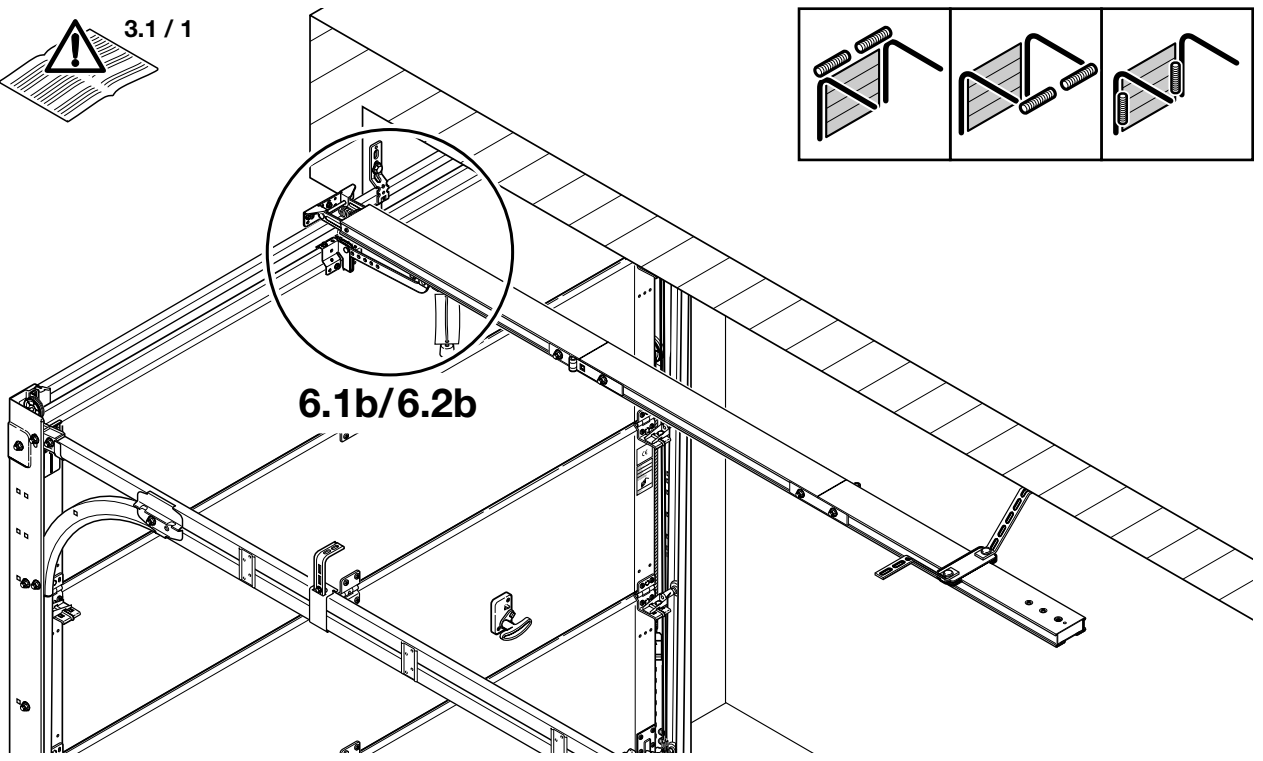
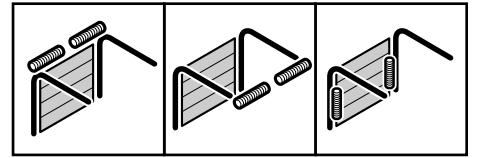
DF 98



6b

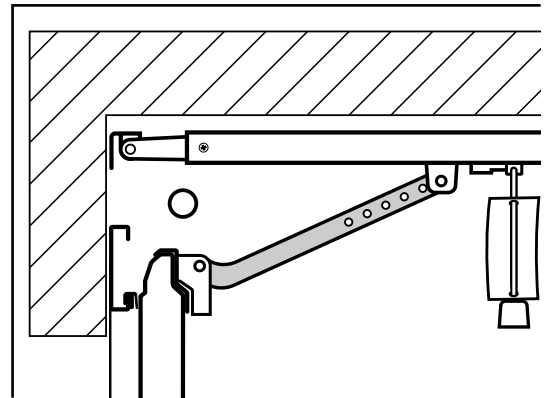
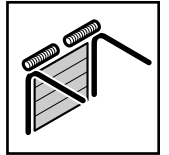
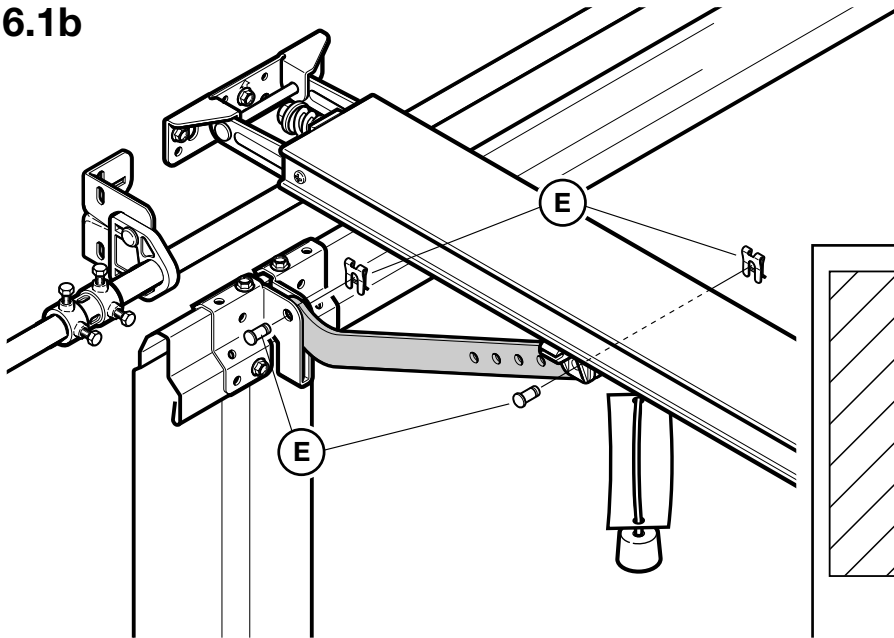


3.1 / 1

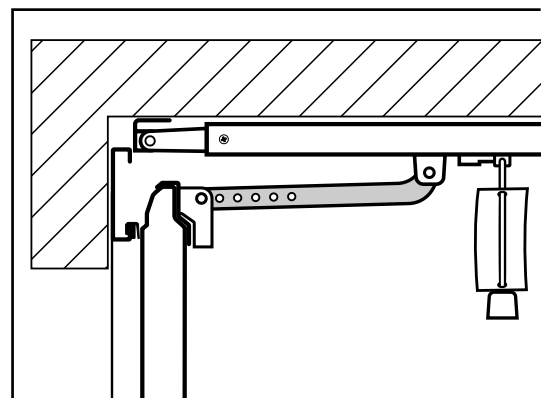
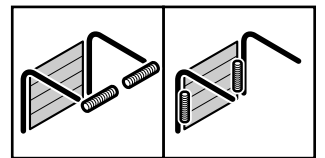
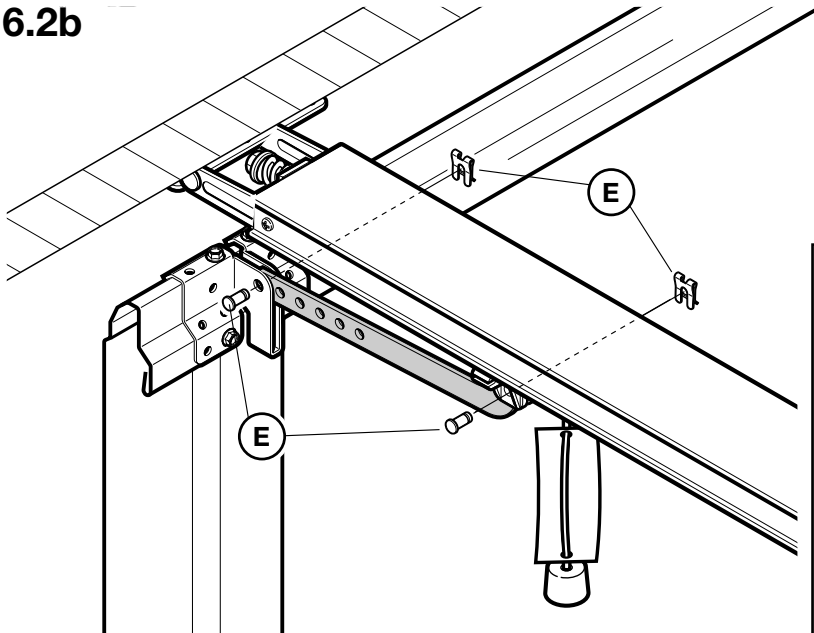


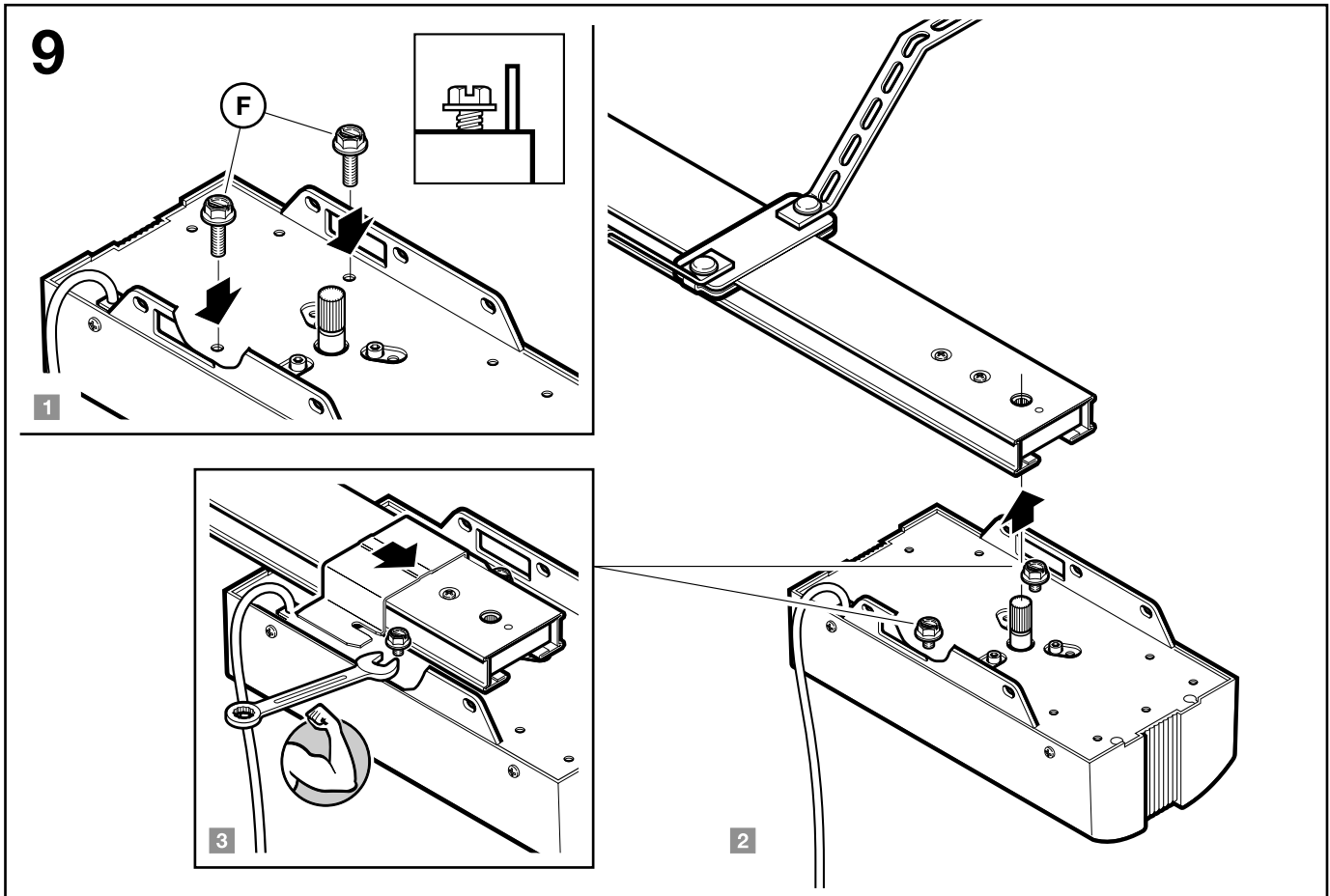
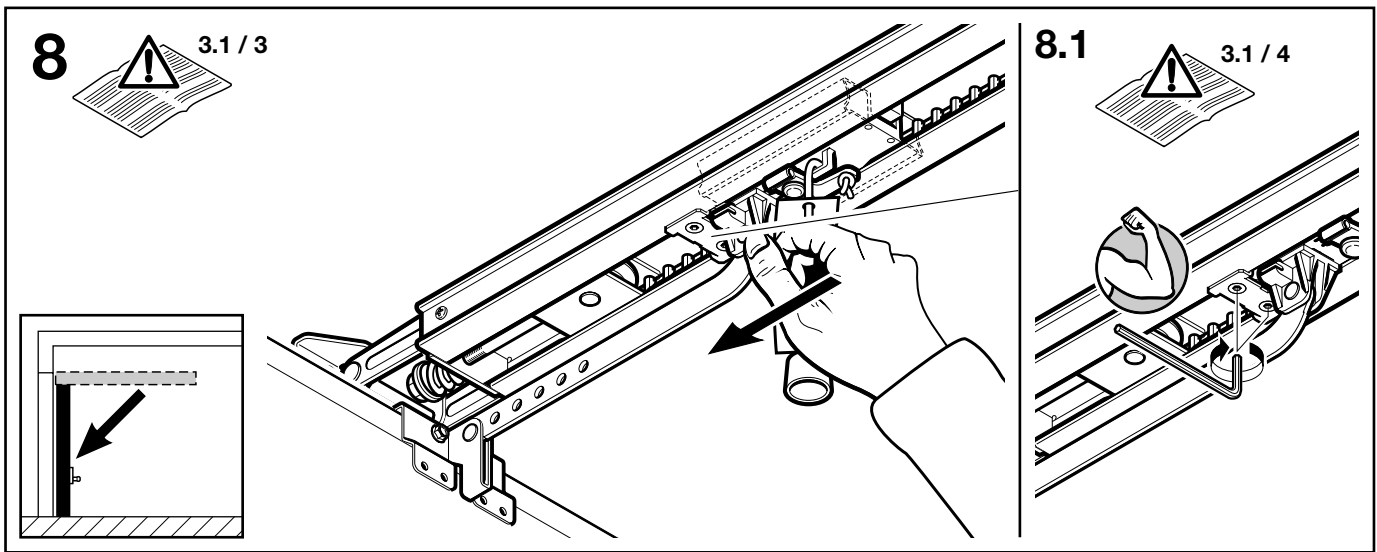
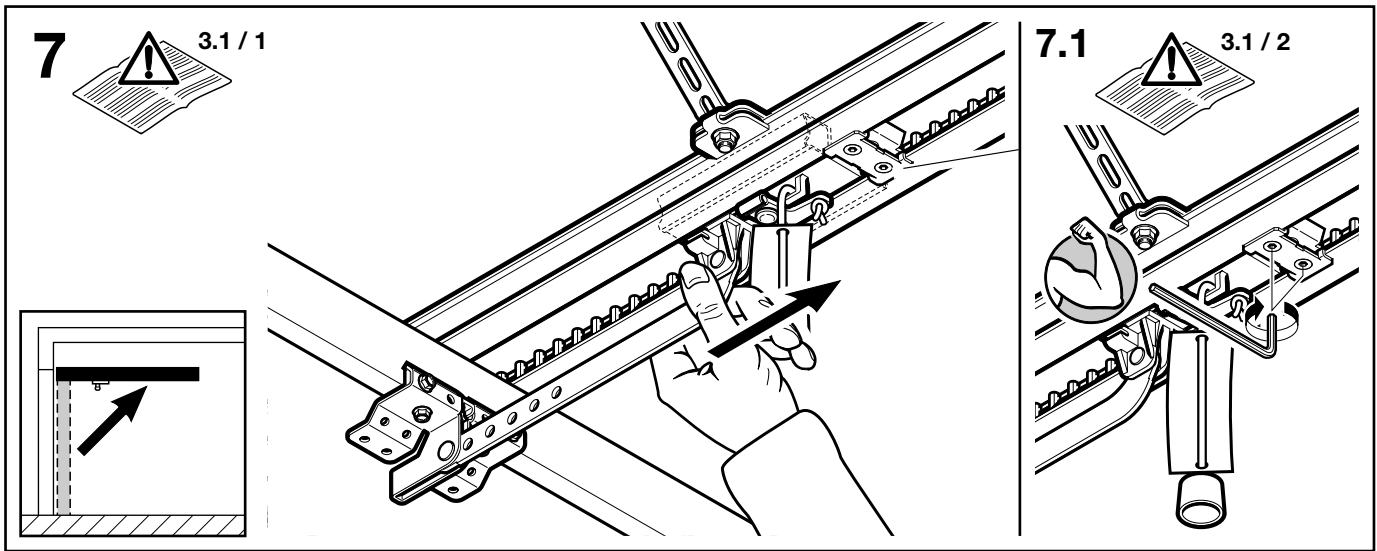
6.1b/6.2b

6.1b

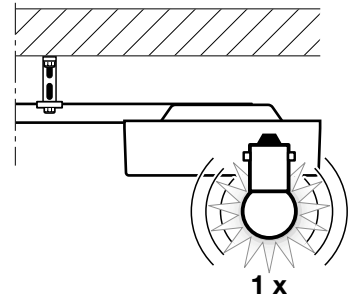
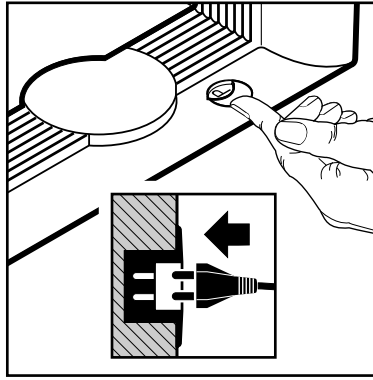
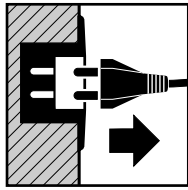


6.2b

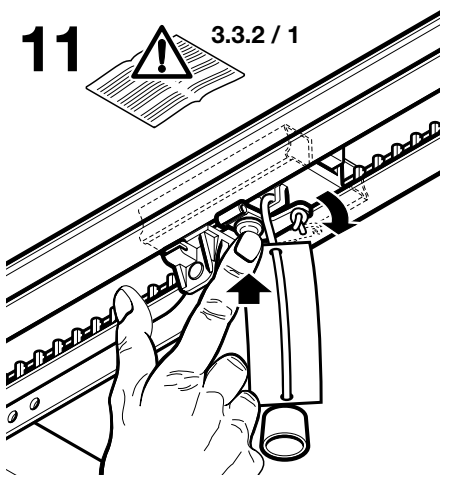




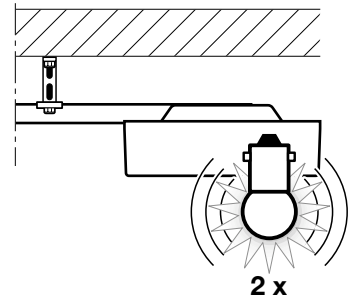
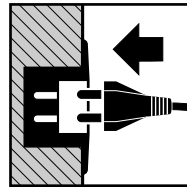
10



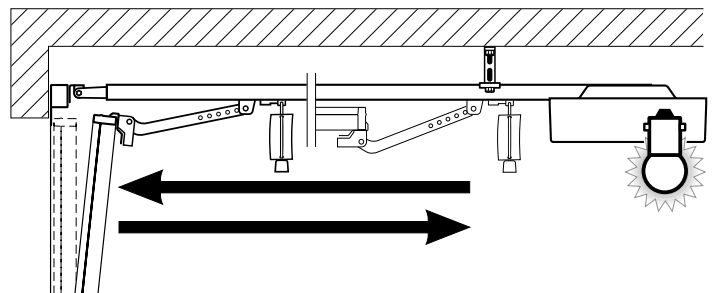
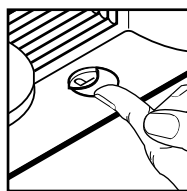
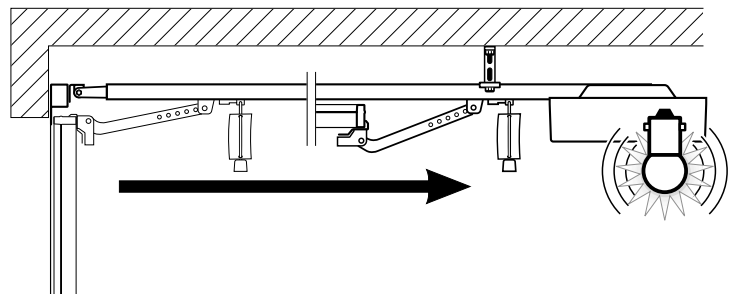
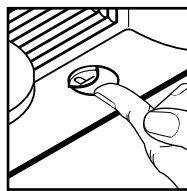
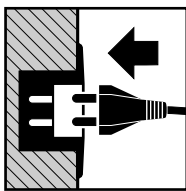
11



12



13

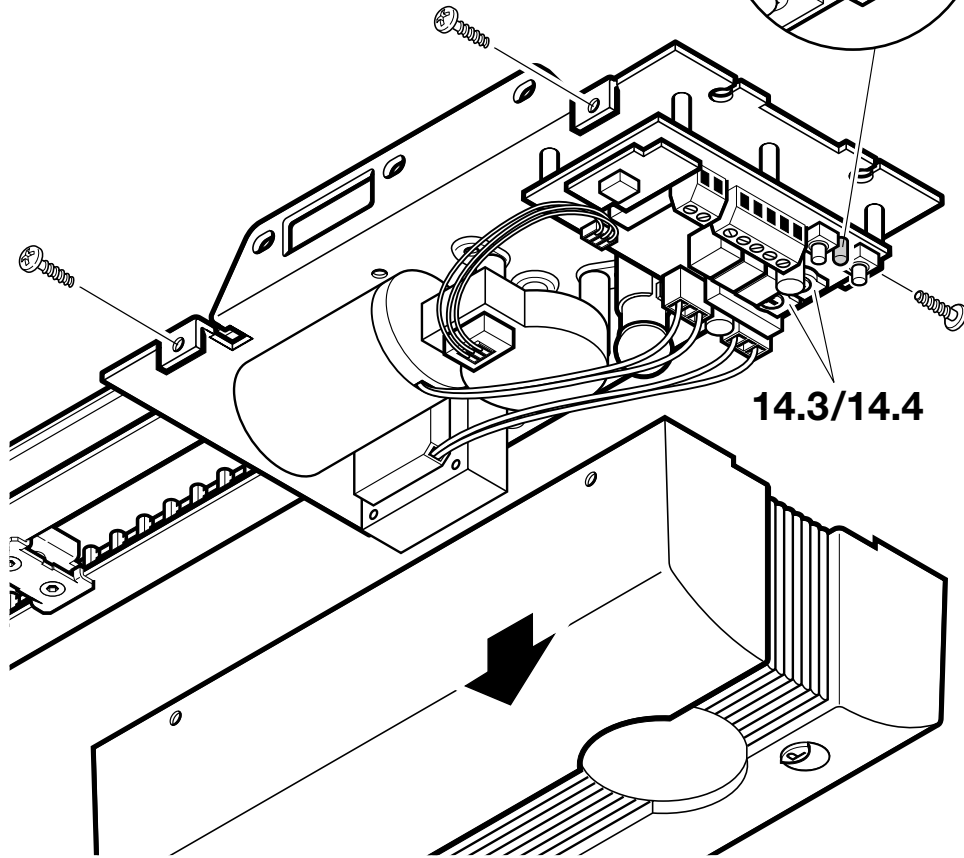
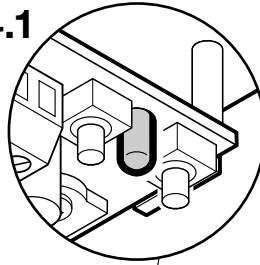


14



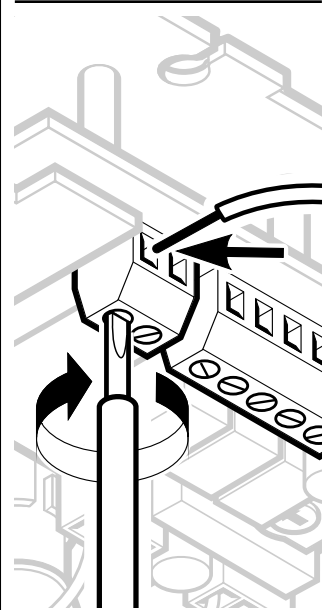
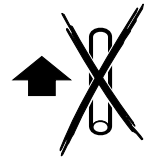
3.3.2 / 3.4 / 3.5.4

14.1



14.3/14.4

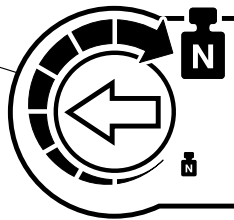
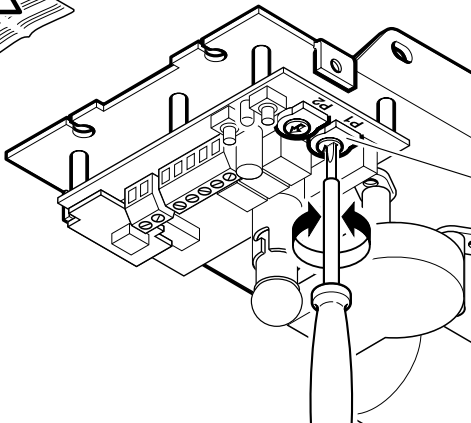
14.2



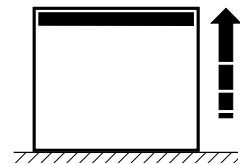
14.3



3.3.3



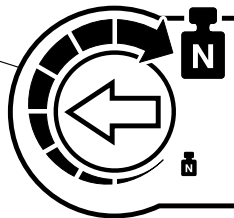
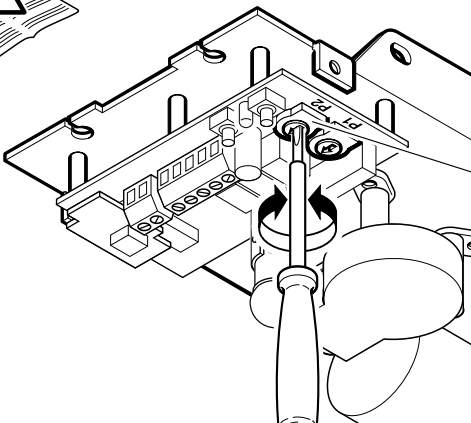
P1



14.4



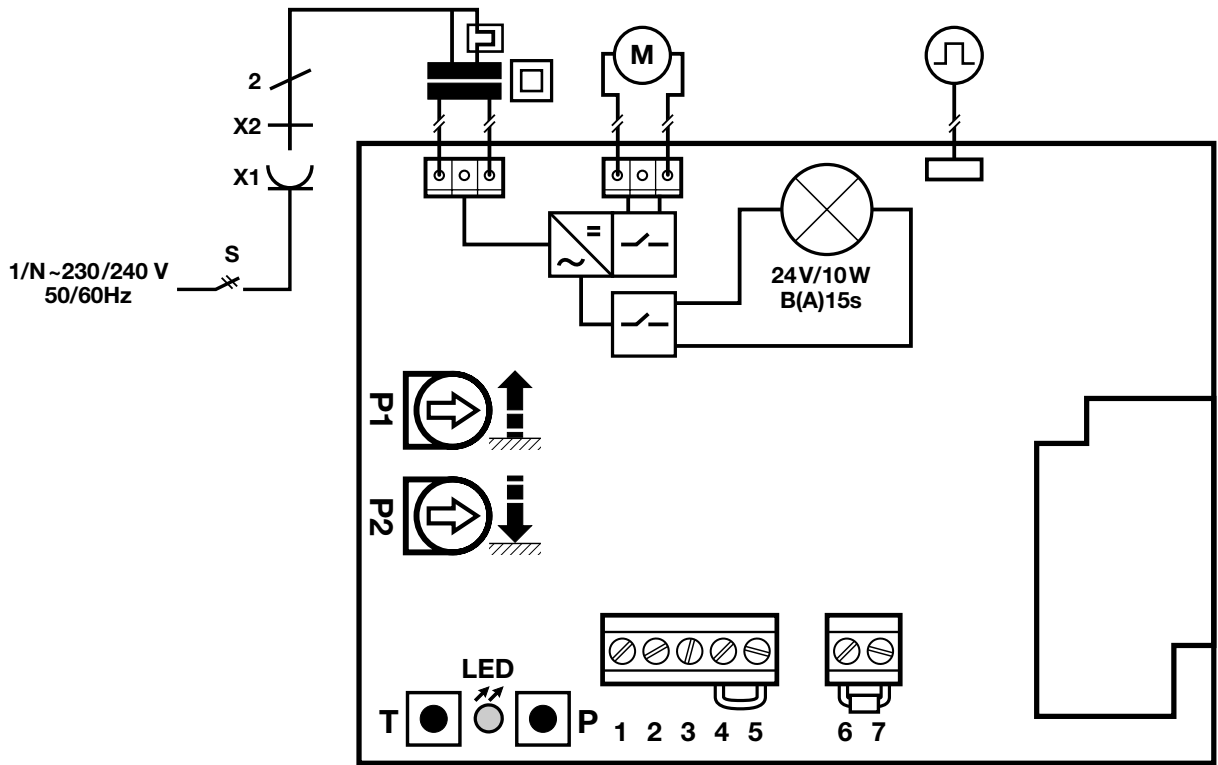
3.3.3



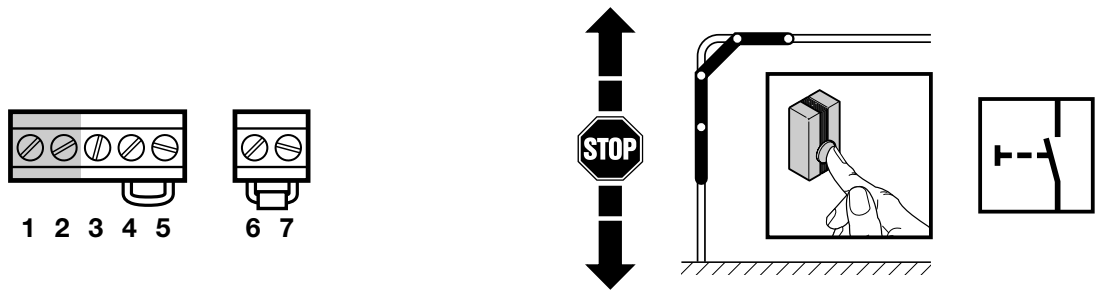
P2



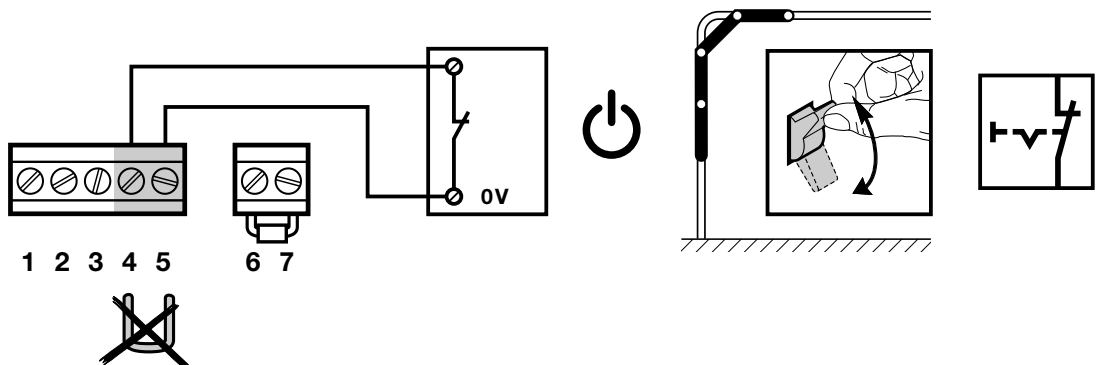
15 3.4



16 3.4.2

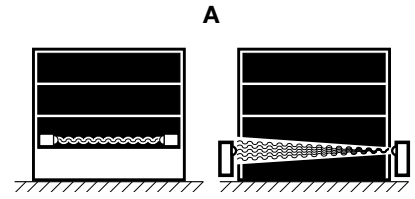
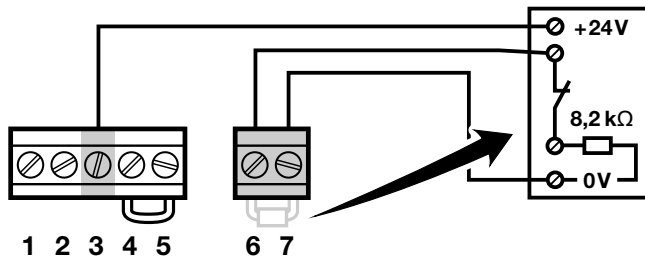


17 3.4.3



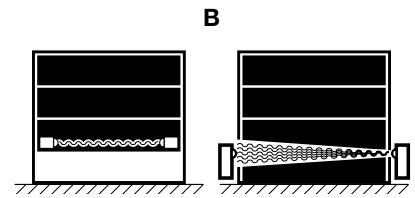
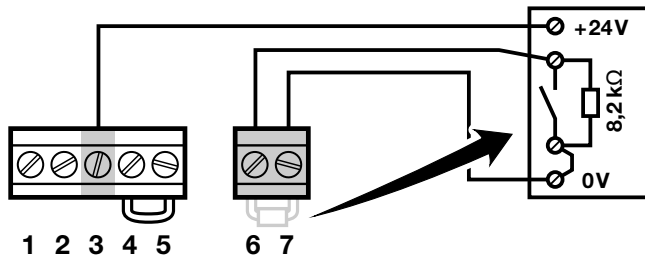
18

3.4.4



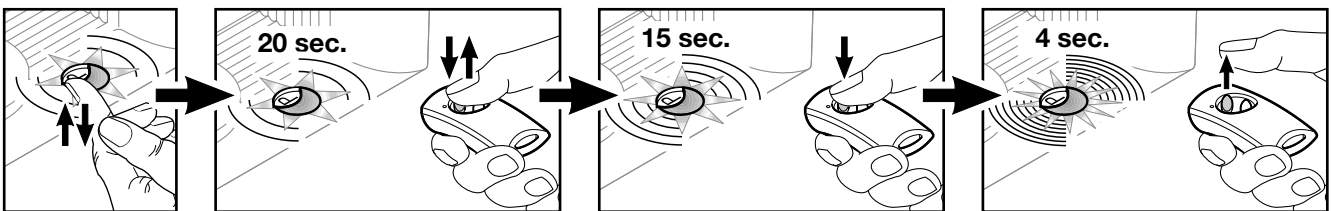
19

3.4.4



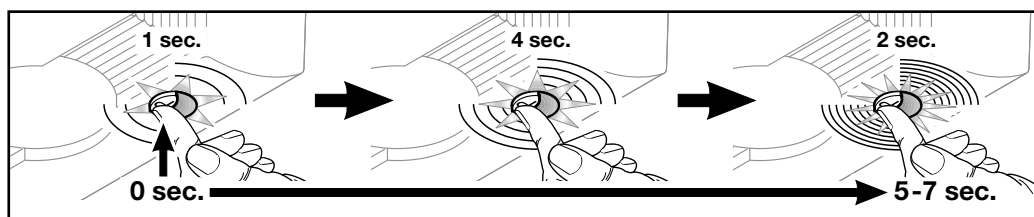
20

4.1



21

4.2




2 Installation Instructions

2.1 Required clearance for installing the operator

In installing the operator, the clearance between the door at its highest point of travel and the ceiling **must be at least 30 mm** (see figures 1.1a / 1.1b).

2.2 The mechanical **door latches on an up-and-over door** must be immobilised (see figure 1a). In the case of **door models not listed here**, the catches must be locked on site.

2.3 On a **sectional door** the internal mechanical latch must be completely dismantled (see figure 1b).

 **ATTENTION**
On installing the operator, the pull cord must be removed
 (see figure 1.2b).

2.4 Note
Up-and-over doors with a forged iron door handle

Contrary to the illustrated section (see fig. 2a), these doors require the boom to be fitted off-centre.

2.5 Centrally positioned lock on a sectional door

For sectional doors with a centrally positioned lock, fit the boom off-centre (see figure 2b).

2.6 Off-centred reinforcement profile on a sectional door

In the case of an off-centred reinforcement profile on a sectional door, fit the door link bracket to the nearest reinforcement profile on the left or right (see figure 2b).

Note
 Contrary to the illustrated section, for timber doors use the wood screws 5 x 35 from the pack of screws supplied with the door (3 mm Ø drill hole).


2.7 Fitting the boom

Before putting the last boom element together, place the boom in front of a stable surface (e.g. a wall) to support it. **Be sure to keep your fingers out of the profile ends which are put together last of all → trap risk!**

Check that the toothed belt is sited centrally on the drive wheel. If this is not the case, centre the toothed belt using a blunt implement such as the blunt end of a wrench.

2.8 Tensioning the drive belt

Tension the toothed belt of the operator boom as described in the Installation Instruction. During the starting and braking phases of large doors it can happen that the belt hangs out of the boom profile temporarily. This, however, is of no technical disadvantage nor does it have a negative effect on the operator's function and service life.

 **CAUTION**
Do not insert fingers into the boom while the door is moving → trap risk!

2.9 Checking that the carriage is smooth-running

Make sure that the individual boom segments are in alignment with each other so that the respective profile ends have "smooth" transitions. Then check whether the carriage runs easily in the boom. To do this, push the carriage once through the boom and back (see fig. 4.1). Repeat this procedure as required.


3 Putting into Service / Connecting Additional Components / Operation

3.1 Establishing the door's end-of-travel positions by installing the limit stops

- 1) Insert the limit stop for the OPEN end-of-travel loosely into the boom between the carriage and the drive unit (see figure 4.3) and after fitting the door link (see figure 6a / 6b) push the door by hand into the OPEN end-of-travel position → the limit stop is pushed into the correct position (see figure 7).
- 2) Fix the limit stop for the OPEN end-of-travel position (see figure 7.1).
- 3) Insert the limit stop for the CLOSE end-of-travel loosely into the boom between the carriage and the drive unit (see figure 4.3) and push the door by hand into the CLOSE end-of-travel position → the limit stop is pushed close to the correct position (see figure 8).
- 4) Push the limit stop for the CLOSE end-of-travel position approx. 1 cm further in the CLOSE direction and then fix in place (see figure 8.1).

Note
 If you are unable to push the door manually into the desired OPEN or CLOSE end-of-travel positions, this indicates that the door mechanics are too sluggish to be used with the garage door operator and must therefore be checked (see section 1.1.2)!

3.2 Notes on work involving electrics

 **ATTENTION**
The following points apply to all work involving electrics:

- **Electrical connections may only be made by a qualified electrician!**
- **Onsite electrical installation must comply with the relevant safety regulations (230/240 V AC, 50/60 Hz)!**
- **Before working on the operator, always unplug from the mains!**
- **External voltage at any of the controls connecting terminals will completely destroy the electronics!**
- **To avoid malfunctions, ensure that the control cables of the operator (24 V DC) are laid in an installation system separate to other supply lines (230 V AC)!**

3.3 Putting the operator into service

The operator features a memory (fail-safe even in the event of a power failure) where the data specific to the door (distance of travel, necessary forces for door move- ➤

ment etc.) laid down during teach in operation (programming) are stored and which are updated during subsequent travel cycles. This data is only applicable to this particular door. If any other door is to be used or if the running action of the door has greatly changed (e.g. after subsequently adjusting limit stops or fitting new springs etc.), the data must be deleted and the operator then reprogrammed.

3.3.1 Deleting the door data (see figure 10)

In the ex factory state, the door data is deleted and the operator can be immediately programmed → see section 3.3.2 - Programming the operator.

If reprogramming is desired or becomes necessary, the door data can be deleted as follows:

- 1) Unplug from the mains.
- 2) Press the transparent button in the housing and keep depressed.
- 3) Insert the mains plug and keep the above-mentioned button depressed until the operator lighting flashes. If it only flashes once, the door data has been deleted. You can then proceed with reprogramming immediately.

Note

Further signals from the operator lighting (flashes repeatedly on inserting the mains plug) are explained in section 3.5.3.

3.3.2 Programming the operator

During programming the travel path and the required forces for opening and closing are programmed or stored (data retained even in the event of a power failure). Before the operator can be programmed, the door data must be deleted (see section 3.3.1) and the carriage engaged:

- 1) If necessary, the disengaged carriage must be prepared for engagement by pressing the green button (see figure 11) on the carriage and the door must be moved by hand until the carriage engages in the belt lock.
- 2) If necessary, insert the mains plug, the operator lighting then flashes twice (see figure 12 / see section 3.5.3).
- 3) Press the transparent button in the operator cover (see figure 13) → the door opens with the operator lighting flashing (OPEN reference cycle) and after reaching the OPEN limit stop and a short reverse (approx. 1 cm) comes to a halt with the operator lighting flashing.

Note

If the OPEN limit stop has not been reached, then the OPEN maximum force is set too low and must be increased (see section 3.3.3). After increasing the OPEN maximum force (**max. 1/8th turn per adjustment attempt**), press the transparent button to cause the door to travel to the CLOSE end-of-travel position. **Stop the door closing before it reaches the CLOSE end-of-travel position by pressing the button again.** Then repeat step 3 as explained in section 3.3.2.

- 4) Press the transparent button again (see figure 13) → the door closes with operator lighting flashing throughout (CLOSE teach-in operation), in doing so the carriage must reach the CLOSE limit stop. The operator then

immediately causes the door (with operator lighting switched on) to travel to the OPEN end-of-travel position and the door then stays in this position. The operator lighting goes out after 3 minutes.

Note

If the CLOSE limit stop has not been reached, then the CLOSE maximum force is set too low and must be increased (see section 3.3.3). After increasing the CLOSE maximum force (**max. 1/8th turn per adjustment attempt**), delete the door data (see section 3.3.1) and repeat the programming procedure.

- 5) At least three uninterrupted travel cycles must be consecutively carried out. In doing so, check that the door has fully reached its closed position (if not, readjust the CLOSE limit stop and reprogramme the operator). In addition, check that the door opens fully (the carriage comes to a halt shortly before reaching the OPEN end-of-travel position).

The operator is now programmed ready for operation.

- 6) Please check the programmed force limit by following the corresponding safety instructions provided in section 3.5!

3.3.3 Setting the maximum forces

The required forces for opening and closing the door which were learned and stored during programming are updated also during the subsequent travel cycles. That's why in the event that the running action of the door gets increasingly sluggish (e.g. spring tension slackens) it is important for safety reasons that these values do not reset themselves indefinitely, as otherwise any necessary manual operation of the door could pose a possible safety risk (e.g. door could crash to the floor).

That's why the **maximum forces available** for opening and closing the door are **pre-set at the factory (potentiometer at intermediate setting)** but these can be increased if needed.

The maximum forces set at the potentiometer have a slight effect on the sensitivity of the force limit, since the **forces actually needed** were stored during teach in operation.

The forces set at the factory are **suitable for operating most standardized doors.**

For setting the maximum opening and closing forces, a potentiometer is available for each direction, accessible on removing the operator cover and marked **P1** and **P2** (see figure 14.3 / 14.4).

The maximum force in the **OPEN** direction can be limited via potentiometer **P1**; while the maximum force in the **CLOSE** direction can be limited via potentiometer **P2**. In doing so, turning clockwise increases the forces, while turning anticlockwise reduces the forces.

Note

It is only necessary to increase the maximum forces preset at the factory (potentiometer at intermediate setting) should the need arise during programming (see section 3.3.2).



ATTENTION: Danger to life!
Setting the potentiometer too high can result in serious injuries!

Reducing the setting is only advisable if a light-moving door is involved, a higher level of safety is desired and "normal" operation is guaranteed (must be established through testing).



ATTENTION
If the potentiometer is set too low, this will put the operator out of action!

Note

Besides having the task of limiting the maximum forces (during the OPEN reference cycle and CLOSE teach-in operation and serving as an upper limit for updating), both potentiometers also have a **second function**:

- **P1**: during a normal opening cycle over the last centimetres before reaching the OPEN end-of-travel position, P1 assumes the task of the programmed force limit, thereby making it possible to adjust doors which require a greater force at this stage only.
- **P2**: during a normal closing cycle, **after** passing the limit, from which point on no reversing takes place (so called reversing limit, located just before reaching the CLOSE end-of-travel position), P2 assumes the task of the programmed force limit, thereby making it possible to adjust doors which require a greater force at this point to ensure tight closing.

3.4 Connecting the additional components



Notes on work involving electrics - Attention!
The following points apply to all work involving electrics:

- **Electrical connections may only be made by a qualified electrician!**
- **Onsite electrical installation must comply with the relevant safety regulations (230/240 V AC, 50/60 Hz)!**
- **Before working on the operator, always unplug from the mains!**
- **External voltage at any of the controls connecting terminals will completely destroy the electronics!**
- **To avoid malfunctions, ensure that the control cables of the operator (24 V DC) are laid in an installation system separate to other supply lines (230/240 V AC)!**

To connect the additional components, the operator cover must be removed (see figure 14). The terminals to which the external remote control or additional components such as potential-free internal and external buttons, OFF-switch or wicket door contact as well as safety devices such as photocell or closing edge safety device are connected, carry a safe low voltage of only 30 V DC max. All connecting terminals are designed for multiple occupancy, however, please observe the maximum of 1 x 1.5 mm²

(see figure 14.2). Before connection, always pull out the mains plug!

3.4.1 Integral Radio Receiver

Programming the integral radio receiver for the selected hand transmitter buttons is described in chapter 4.

3.4.2 Connecting external IMPULSE buttons to start or stop door travel cycles

One or several buttons with normally open (n.o.) contacts (potential-free), such as internal buttons or key switches, is/are connected (in the case of the latter, then joined parallel) as follows (see figure 16):

- 1) first contact to terminal **2** (impulse input).
- 2) second contact to terminal **1** (0 V).

Note

If an auxiliary current is required for an external button (e.g. for an external radio receiver), then on terminal **3** a current of approx. +24 V DC (terminal **1** = 0 V) is available, whereby the total current taken at terminal **3** may not exceed a maximum of 100 mA.

3.4.3 Connecting an OFF-switch or a wicket door contact (opening must be forcibly actuated) to halt and/or switch off the operator (STOP or emergency-OFF circuit)

An OFF-switch with normally closed (n.c.) contacts (switching to 0 V or potential-free) is connected as follows (see figure 17):

- 1) The jumper inserted at the factory between terminal **4** (STOP or emergency-OFF input) and terminal **5** (0 V), allowing normal function of the operator, should be removed.
- 2) - Switching output or first contact at terminal **4** (STOP or emergency-OFF input).
 - 0 V (Ground) or second contact to terminal **5** (0 V).

Note

By opening the contact any possible travel cycles are immediately halted and permanently prevented.

3.4.4 Connecting a photocell or a closing edge safety device to initiate a safety return up to the OPEN end-of-travel position

Option A:

A photocell or closing edge safety device of **type A (everything okay = contact closed)** switching to 0 V or having a potential-free contact, is connected as follows (see figure 18):

- 1) The resistance of 8.2 kΩ inserted at the factory between terminals **6** (safety device-input SE) and **7** (0 V) must be removed and then **reinserted in the safety device**, as shown, **between** the switching output and terminal **6**.
- 2) 0 V (Ground) or second contact to terminal **7** (0 V).

Option B:

A photocell or closing edge safety device of **type B (everything okay = contact opened)** switching to 0 V or having a potential-free contact, is connected as follows (see figure 19):

- 1) The resistance of 8.2 kΩ inserted at the factory between terminals **6** (safety device-input SE) and **7** (0 V) must be removed and **reinserted in the safety device**, as shown. The switching output is connected to terminal **6**.
- 2) 0 V (Ground) or second contact to terminal **7** (0 V).

Note

If an auxiliary voltage is needed for the safety device, then a voltage of approx. + 24 V DC is available for this at terminal **3** (as opposed to 0 V at **7**), whereby the total current drawn off at terminal **3** must not exceed 100 mA.

3.5 Notes on operating the garage door operator

Note

Initial function checks as well as programming or extending the remote control should always take place from inside the garage.

Only ever operate the garage door operator when you have full view of the movement range of the door. Wait until the door has come to a complete halt before entering the door's movement zone.
Before driving in or out of the garage, always check that the door has fully opened.

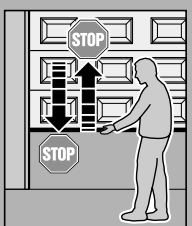


ATTENTION
Keep hand transmitters out of the reach of children!

The function of the mechanical release should be checked **every month**. The pull cord with knob may only be actuated when the door is closed, otherwise in the case of weak, broken or defective springs or due to a deficient / faulty counterbalance, there is a risk that the door could close extremely quickly.



ATTENTION
Never hang bodily from the pull cord with knob!



All persons using the door system must be shown how to operate the garage door opener properly and safely. Demonstrate and test the mechanical release as well as the safety return. **To do this, halt the closing door by grasping it with both hands. The door system should gently cut-out and initiate the safety return. The same should happen during the opening cycle, i.e. the door system gently cuts out and the door comes to a halt.**

3.5.1 Normal operation

During normal operation the garage door operator works exclusively on impulse sequence, whereby it makes no difference whether the external button, a programmed hand

- transmitter button or the transparent button was pressed:
- 1st Impulse: Operator causes door to move towards an end-of-travel position.
 - 2nd Impulse: Operator causes door to stop.
 - 3rd Impulse: Operator causes door to travel in the opposite direction.
 - 4th Impulse: Operator causes door to stop.
 - 5th Impulse: Operator causes door to travel in the direction of the end-of-travel position selected when the first impulse was generated

etc.
The operator lighting comes on when the door moves and automatically goes out 3 minutes later on completion of the cycle.

3.5.2 Operation following actuation of the mechanical release

- If, for instance due to a power failure, the mechanical release was actuated, the carriage must be reengaged in the belt lock before normal operation can be resumed:
- 1) Move the operator until the belt lock in the boom is well accessible for the carriage, and then stop the operator.
 - 2) Press the green button on the carriage (see figure 11).
 - 3) Move the door by hand until the carriage reengages in the belt lock.
 - 4) Carry out several uninterrupted travel cycles to check whether the door has fully reached its closed position and whether it has also fully opened (the carriage comes to a halt shortly before the OPEN limit stop).

The operator is now ready to resume normal operation.

Note

If, after carrying out several interrupted travel cycles, the behaviour/action does not correspond to that described in stage 4, a new teach-in operation will be necessary (see section 3.3.2).

3.5.3 Signals from the operator lighting

If the mains plug is inserted without the transparent button (with operator cover removed the circuit board button) being pressed, the operator lighting flashes two, three or four times.

Flashing twice

indicates that no door data is stored or has been deleted (as in the ex factory state): programming can then be carried out immediately.

Flashing three times

indicates that door data is stored but that the last door position is not sufficiently well known. The next travel cycle is therefore an OPEN reference cycle. This is then followed by "normal" travel cycles.

Flashing four times

indicates that not only is door data stored but also that the last door position is sufficiently well known, so that "normal" travel cycles taking into consideration the impulse sequence (OPEN-STOP-CLOSE-STOP etc.) can

follow (normal behaviour following successfully completed programming and a power failure). For safety reasons, whenever there is a power failure **during** a travel cycle, i.e. when the door is still in motion, the first impulse command always results in the door opening.

Note

An **OPEN reference cycle** can be enforced if, when the mains plug is inserted, the **external** button (connected at terminals **1** and **2**) is pressed. In this case, the operator lighting flashes three times.

Replacement lamp for operator lighting:
24 V/10 Watt, socket: B(a)15s

3.5.4 Error messages / diagnostic LED

(light emitting diode, see figure 14.1)

When operation does not go to plan, a diagnostic LED (visible through the transparent button even with the operator cover in place), helps you to easily identify the possible causes. In the programmed state this LED normally glows constantly and goes out as long as an externally connected IMPULSE device is activated.

Note

On the basis of the behaviour explained above, a short-circuit in the connecting lead of the external button or a short-circuit in the button itself can be recognised even if normal operation of the garage door operator with the remote control or the transparent button is otherwise possible.

LED:	flashes 2 x in 4 seconds
Cause:	A photocell or closing edge safety device connected to terminals 6 and 7 has been interrupted or activated. It is possible that a safety return has been initiated.
Elimination:	Remove the obstruction in question, check the photocell and / or closing edge safety device, and if necessary replace.
Note:	If no photocell or closing edge safety device is connected to terminals 6 and 7 , check whether the factory assembled resistance of 8,2 kΩ between terminals 6 and 7 is present – if necessary connect.
Acknowledgement:	Another impulse is generated via an external button, the remote control or the transparent button – the door travels in the opposite direction to that last travelled.
LED:	flashes 3 x in 5 seconds
Cause:	The CLOSE force limit has been activated – the door has carried out a safety return.
Elimination:	Remove the obstruction. If a safety return has taken place for no recognisable reason, check the door mechanics. It may be necessary to delete the door data and reprogramme.
Acknowledgement:	Another impulse is generated via an external

	button, the remote control or the transparent button – the door opens.
LED:	flashes 4 x in 6 seconds
Cause:	The STOP or emergency-OFF circuit is open or was opened during a travel cycle (see section 3.4.3)
Elimination:	Close the STOP or emergency-OFF circuit (see section 3.4.3)
Acknowledgement:	Another impulse is generated via an external button, the remote control or the transparent button – the door travels in the opposite direction to that last travelled.
LED:	flashes 5 x in 7 seconds
Cause:	The OPEN force limit has been activated – the door has stopped whilst opening.
Elimination:	Remove the obstruction. If the door has come to a halt for no recognisable reason, check the door mechanics. It may be necessary to delete the door data and reprogramme.
Acknowledgement:	Another impulse is generated via an external button, the remote control or the transparent button – the door closes.
LED:	flashes 6 x in 8 seconds
Cause:	Operator fault
Elimination:	It may be necessary to delete the door data. If the operator fault reoccurs, replace the operator.
Acknowledgement:	Generate an impulse via an external button, the remote control or the transparent button – the door opens (OPEN reference cycle).
LED:	flashes 7 x in 9 seconds
Cause:	The operator has not yet been programmed (this is merely being pointed out – it is not a fault/error).
Elimination/Acknowledgement:	Initiate teach-in operation for the CLOSE direction via the transparent button.
LED:	flashes 8 x in 10 seconds
Cause:	The operator requires a reference cycle (this is merely being pointed out – it is not a fault/error).
Elimination/Acknowledgement:	Initiate a reference cycle in the OPEN direction via an external button, the remote control or the transparent button.
Note:	This is the normal state following a power failure when no door data is stored or this has been deleted and/or the last door position is not sufficiently well known.

4 Integral Radio Receiver

The garage door operator features an integral radio receiver, via which the hand transmitters transmitting the "rolling code" with the matching identification signal can be programmed for impulse sequencing operation (see 3.5.1). Under "rolling code" it is understood that the characteristic of the transmitted code changes with every transmission. The integral receiver is able to memorise up to six hand transmitter users (protected in the event of a power failure) for this "rolling code". This means that up to six different hand transmitter buttons can be programmed. These six hand transmitter codes are managed according to the "FIFO" principle (first-in, first-out); this means that when all the six memory locations are occupied or programmed and an additional hand transmitter button (the seventh) is programmed; the first one programmed is deleted without any warning. If a further hand transmitter button is programmed, the second one programmed is deleted without any warning etc., so that only the last six hand transmitter buttons programmed are ever stored. In the ex factory state, all the six memory locations are empty or deleted so that no transmittable code "matches". To carry out programming, the small button in the operator cover (marked "P"), the diagnostic LED from chapter 5 and the respective hand transmitter with inserted battery are required. Programming and deleting can be carried out only when the drive unit is stationary.

4.1 Programming the integral radio receiver for the selected hand transmitter button (see fig. 20)

1) **Briefly** press button "P" → the LED flashes slowly for a maximum of 20 sec. (readiness for programming).

Note
If the operator lighting was switched on, it will be switched off for the duration of the programming.

- 2) During this 20 sec. phase, the hand transmitter button selected for programming must be pressed. → If the code can be programmed, the slow flashing changes to rapid flashing (for a maximum of 15 sec.). The hand transmitter button must then be released.
- 3) Within this 15 sec. phase, the same hand transmitter button must be pressed again. If the receiver recognises that the **same hand transmitter button** is involved, the rapid flashing changes to an extremely rapid flashing (for approx. 4 sec.). The hand transmitter button must then be released.
- 4) When the extremely rapid flashing phase ends, this indicates that the selected hand transmitter button has been successfully programmed and the LED returns to the state it was in prior to programming.
- 5) A function test must be carried out. If this function fails, the procedure must be repeated.

4.2 Deleting the memory locations of all the hand transmitter users in the integral radio receiver

(see fig. 21)

Note
If the operator lighting is switched on, it is switched off for the duration of the deletion process.

The integral radio receiver does not allow individual hand transmitters to be specifically selected for deletion; this means that only complete deletion is possible – after which a transmittable code no longer "matches" (ex factory state).

1) Press the **"P"** button and keep it depressed for at least 5 sec. - the LED flashes, at first slowly (approx. 1 sec.), then changes to rapid flashing for approx. 4 sec. (readiness for deletion) and then to extremely rapid flashing for approx. 2 sec. The **"P"** button should then be released.

Note
If the **"P"** button is released before the 4 sec. have elapsed, the deletion process is aborted.

2) When the extremely rapid flashing ends, this indicates that all the hand transmitter data has been successfully deleted and the LED returns to the state it was in prior to the deletion process.

5 Guarantee terms

Guarantee Period

In addition to the statutory guarantee provided by the dealer, we provide the following guarantee of parts from the date of purchase:

- a) 5 years on operator mechanics, motor and motor controls
- b) 2 years on radio, impulse generators, accessories and special systems

There is no guarantee on consumables (e.g. fuses, batteries, lighting devices). Claims made under the guarantee do not extend the guarantee period. Following the supply of replacement parts the guarantee period is six months; or at least, the remainder of the guarantee period.

Conditions

A claim under this guarantee is only valid for the country in which the equipment was bought. The product must have been purchased through authorised distribution channels. A claim under this guarantee exists only for damage to the product in the contract itself. Reimbursement of expenditure for dismantling and installation, testing of corresponding parts, as well as demands for lost profits and compensation for damages, are excluded from the guarantee. The receipt of purchase substantiates your right to claim under the guarantee.

Service rendered

For the duration of the guarantee we will eliminate all product defects that are proven to be attributable to material or manufacturing faults. We pledge to provide free of charge and at our discretion to replace the defective parts with a non-defective one, to improve it, or to reimburse for a reduction in price.

Excluded are damages due to:

- improper fitting and connection
- improper commissioning or operating
- external influences, such as fire, water, abnormal weather conditions

- mechanical damage due to accidents, dropping, jolting
 - negligent or deliberate destruction
 - normal wear and tear or deficient maintenance
 - repair by non-qualified persons
 - use of non-original parts
 - removal or making unrecognisable the serial number
- Replaced parts become our property.

6 Technical Data

- Mains connection:** 230/240 V, 50/60 Hz
standby approx. 4.5 W
- Protection category:** For dry buildings only
- Automatic cut-out:** is automatically learnt separately for both operational directions.
- Travel limit cut-out/
Force limit:** Self-learning, non-wearing since no mechanical switches are used. Additionally integrated excess travel stop of approx. 45 s. Automatic cut-out re-adjusts itself during each door cycle.
- Push and pull force:** 500 N
- Short-time peak load:** 650 N
- Motor:** DC motor with Hall sensor
- Transformer:** With thermal overload protection
- Connection technique:** For external equipment with safe low voltage of 24 V DC, for Internal and external buttons via impulse operation.
- Special functions:**
- Operator lighting, 3-minute light ex factory
 - STOP/OFF-switch can be connected
 - Photocell or closing edge safety device can be connected
- Quick release:** In the event of a power failure, activated from the Inside via a pull cord
- Remote control:** Via 2-button hand transmitter RSE2 (433,92 MHz) and receiver (suitable for up to 6 hand transmitter users) integrated into the control circuit board.
- Universal fitting:** For up-and-over and sectional doors
- Door speed:** Approx. 13.5 cm/s (dependent on door size and weight)
- Airborne noise emission of the door operator:** At a distance of 3 metres the equivalent continuous sound level of 70 dB (A-weighted) is not exceeded.

Boom: Extremely flat (no more than 30 mm). Pre-assembled in 3 parts with maintenance-free, patented toothed belt.

Application range: Exclusively for garages in the domestic sector. For easy-moving up-and-over and sectional doors with a door area of up to 10 sq. m. Not suitable for industrial/commercial use.

Parking spaces: Suitable for a maximum of 2 parking spaces

7 Miscellaneous

7.1 Hand transmitter RSE2

Your hand transmitter works with a rolling code which changes with every transmission. For this reason the hand transmitter must be programmed via the selected hand transmitter button for each receiver it is to be used with (see receiver instructions).

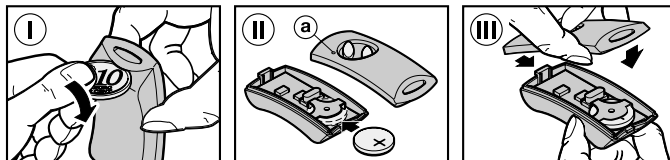


ATTENTION
Hand transmitters must be protected against damp, dust and direct sunlight. Non-observance can impair the function!

Each time the button on the hand transmitter is pressed, the LED (a) emits a signal. If the LED lights up, the transmitter is operating.

If the LED flashes when the button is pressed, transmission is still going on but the battery is so low that it urgently needs replacing. If the LED fails to respond, check whether the battery is correctly inserted (see fig. (II)). Replace the battery if necessary.

7.1.1 Putting into service/Changing the battery

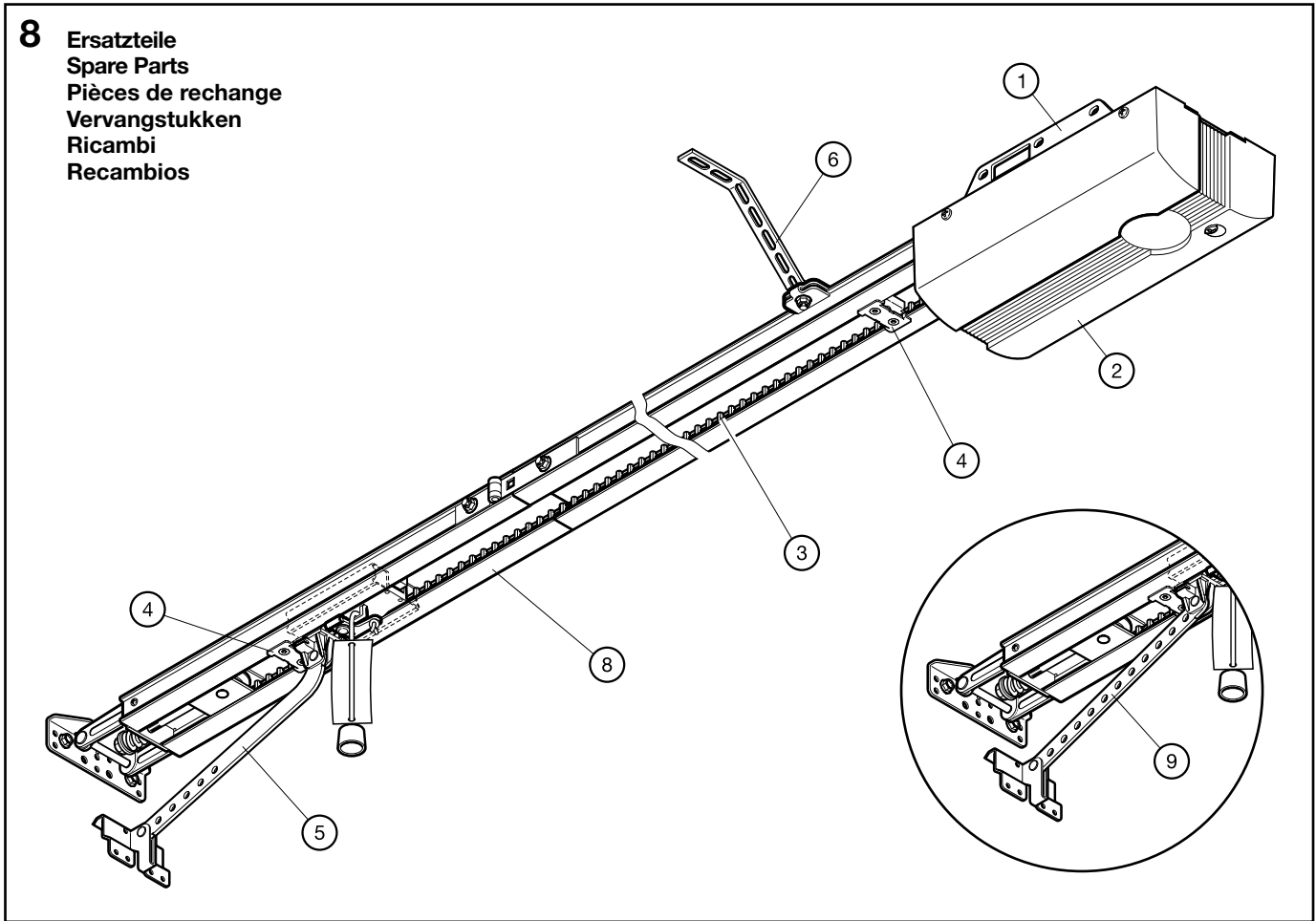


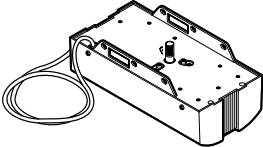

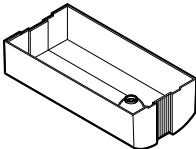
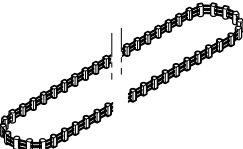

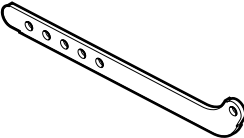
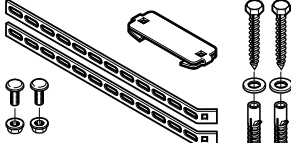
- Open the hand transmitter as shown.
- Insert the battery, making sure to pole correctly.
- Reclose the hand transmitter.

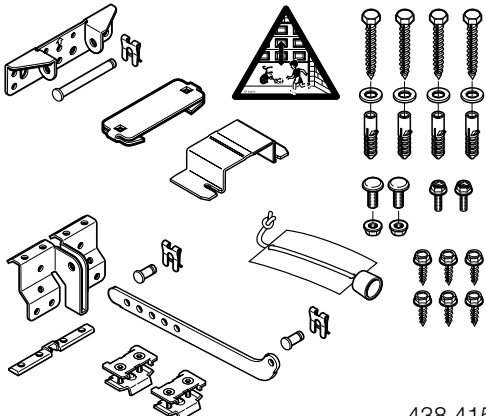
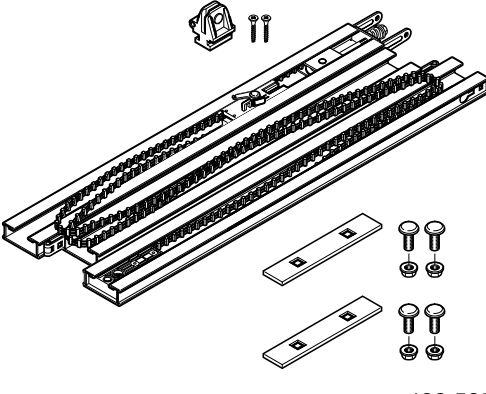
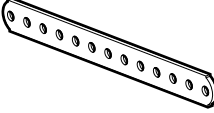
7.1.2 Technical data of hand transmitter RSE2

- Frequency:** 433,92 MHz
- Coding:** Rolling Code
- Approved ambient temperature:** -20° to +60° Celsius
- Battery:** 3 volt Lithium CR 2025 (Ø20 x 2.5 mm)

8 Ersatzteile
Spare Parts
Pièces de rechange
Vervangstukken
Ricambi
Recambios



1	 435 265  435 267	1
2	 438 553	1
3	 438 104	1
4	 438 111	1
5	 438 302	1
6	 436 051	1

7	 438 415	1
8	 438 595	1
9	 438 384	1

