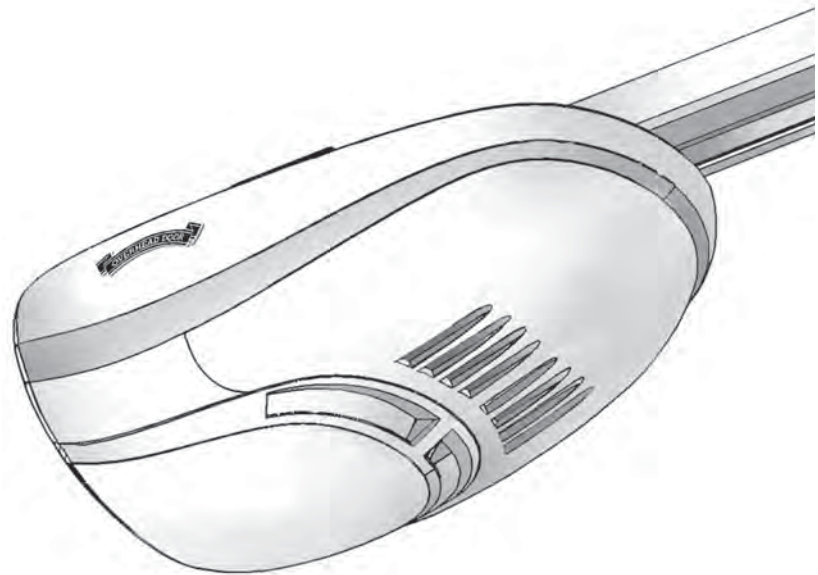




# SilentMax

## 4040

ULTRA QUIET BELT DRIVE OPENER



### TABLE OF CONTENTS

Warranty information .....	2
Your Documentation Package .....	3
Safety Features .....	4
Pre-installation Checklist .....	5-8
Adjustments and Maintenance .....	9-13
Maintenance .....	13
Troubleshooting Guide .....	14
Safety Instructions .....	15
Wiring Diagram .....	17
Parts List and Exploded Views .....	18-19
Accessories .....	20

### COMPLETE WITH CODEDODGER® REMOTE CONTROL AND SERIES II ELECTRONICS

For up to and including 8' Doors,

Included Wall Control **MUST** be installed prior to Operation of this Garage Door Operator.

Safe-T-Beam® Safety Reverse System **MUST** be installed and the Force Controls **MUST** be properly set to close door.

This Equipment meets or exceeds all Federal, State and UL 325 Safety Requirements.

### Having Difficulty? Need Help?

Please call us: 1-800-784-5028

[www.overheaddoor.com](http://www.overheaddoor.com)

Please have Model information ready when calling.

SAVE THIS MANUAL FOR  
FUTURE REFERENCE

# THE OVERHEAD DOOR CORPORATION LIMITED WARRANTY

## What is covered?

Any defect in material and product workmanship from personal, normal household use in accordance with the Owner's Manual.

## For how long?

MODEL 4040L ... Lifetime\* on motor, 5 years on all other parts.

\*Lifetime = For as long as you own your home.

## Who gets the warranty?

This warranty is limited to the consumer who originally purchased the product.

## Geographic scope:

This warranty applies only to units installed and operated within the country where they were purchased.

## Limitations:

IMPLIED WARRANTIES, INCLUDING THOSE OF FITNESS FOR A PARTICULAR PURPOSE AND MERCHANTABILITY (AN UNWRITTEN WARRANTY THAT THE PRODUCT IS FIT FOR ORDINARY USE), ARE LIMITED TO ONE YEAR FROM THE DATE OF PURCHASE. GENIE WILL NOT PAY FOR: LOSS OF TIME; INCONVENIENCE; LOSS OF USE OF YOUR GENIE PRODUCT OR PROPERTY DAMAGE CAUSED BY YOUR GENIE PRODUCT OR ITS FAILURE TO WORK; ANY SPECIAL, INCIDENTAL OR CONSEQUENTIAL DAMAGES; OR ANY DAMAGES RESULTING FROM MISUSE OR MODIFICATION OF YOUR GENIE PRODUCT.

Some states and provinces do not allow limitations on how long an implied warranty lasts or the exclusion of incidental or consequential damages, so the above limitations or exclusions may not apply to you.

This warranty is the only one we will give on your Overhead Door product, and it sets forth all our responsibilities regarding your Overhead Door product. There are no other express warranties.

State and province rights: This warranty gives you specific legal rights, and you may also have other rights which vary from state to state and province to province.

## How to get warranty service:

To obtain warranty service for your Overhead Door product, you must provide proof of the date and place of purchase of the product.

### 1. Do-It-Yourself-Service.

Call the Overhead Door Consumer Connection toll free at 1.800.354.3643 to speak in person to a trained Overhead Door representative for assistance

in diagnosing the problem and arranging to supply you with the required parts for do-it-yourself repairs. Trained service representatives are available Monday-Friday, 8:00 a.m. - 11:00 p.m., Eastern Time, and on Saturday, 10:00 a.m. to 8:00 p.m., Eastern Time (subject to holidays) You may also get the information you need at [www.geniecompany.com](http://www.geniecompany.com).

### 2. Service From Authorized Dealers.

You also may obtain warranty service from Overhead Door authorized dealers by calling the Overhead Door Consumer Connection at 1.800.654.3643 or by visiting [www.geniecompany.com](http://www.geniecompany.com) before scheduling warranty service. If warranty service is provided by an authorized dealer, Overhead Door will provide all required parts under warranty at no charge to you, but the dealers are independent business people and may render a bench or service call charge for their services. Overhead Door will not reimburse you or otherwise be responsible for those charges.

We suggest that you retain your original packing material in the event we choose to repair or replace your Overhead Door Product and request that you ship it to us. Be sure to include your name, address, telephone number, proof of date and place of purchase and a description of the operating problem. After repairing or replacing your Overhead Door product, we will ship it to your home at no cost to you for parts and labor, but you will have to pay a minimum of \$5.00 for shipping and handling charges.

Your choice of either one of the above-described service options is your exclusive remedy under this warranty.

### What this warranty does not cover:

This warranty does not cover batteries (which are considered replaceable parts), installation, commercial use, defects resulting from accidents, damage while in transit to our service location or damage resulting from alterations, misuse or abuse, lack of proper maintenance, unauthorized repair or modification of the product, affixing of any attachment not provided with the product, programming of the Remote Control Devices, Safe-T-Beam® adjustment/cleaning, staples through wiring, pinched or broken wires, Carriage disengaged, Force Control adjustments, door out of balance, broken springs or cables, power outages, use of extension cords, missing or damaged parts on discounted, clearanced, final sale or taped cartons, phantom operations (labor is not covered if Opener is functioning properly while technician is in garage), fire, flood, or acts of God, or other failure to follow the Owner's Manual.

FOR ANSWERS: CALL 1.800.354.3643

Please note the following information, so it is available if you need to call us.

Date Purchased \_\_\_\_\_ / \_\_\_\_\_ / \_\_\_\_\_  
Serial Number \_\_\_\_\_  
Operator Model \_\_\_\_\_  
Remote Control Model \_\_\_\_\_  
Dealer Name \_\_\_\_\_  
Dealer Address \_\_\_\_\_  
City \_\_\_\_\_  
State \_\_\_\_\_  
Zip \_\_\_\_\_

## NOTE

Please keep original or photocopy of your sales receipt with this manual for future reference should service ever be required.

Visit Our Website at: [www.overheaddoor.com](http://www.overheaddoor.com)

SAVE THESE INSTRUCTIONS

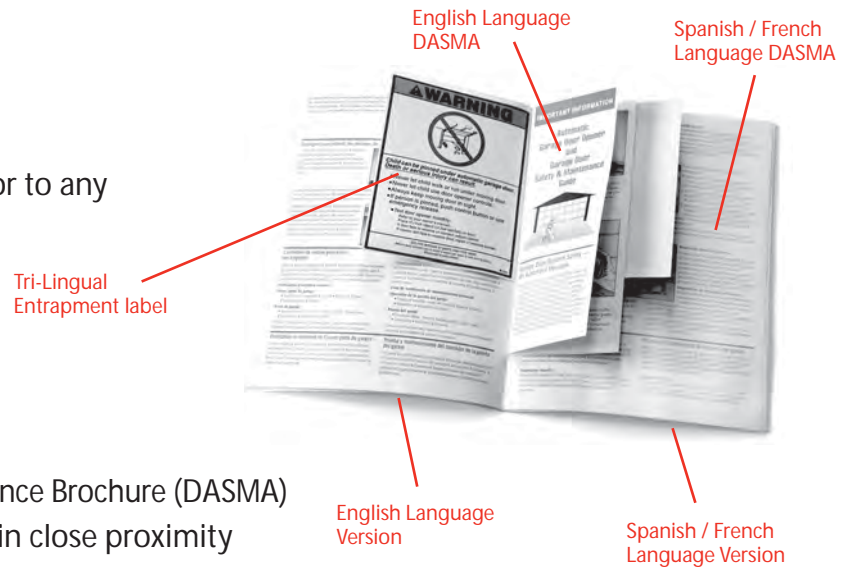
# YOUR GARAGE DOOR OPENER DOCUMENTATION PACKAGE

The documentation provided with your opener has been carefully designed and organized to make the assembly, operation, and continued maintenance of your product as easy and safe as possible. This material consists of two main items.

## Operation and Maintenance Manual

While it is recommended that all documents be retained for future reference, this manual should contain most of the information that you will need over the lifetime of your product. The manual is designed in a “flip-flop” configuration with the english version in one half of the book and the spanish / french version in the other half. The basic contents of this manual are:

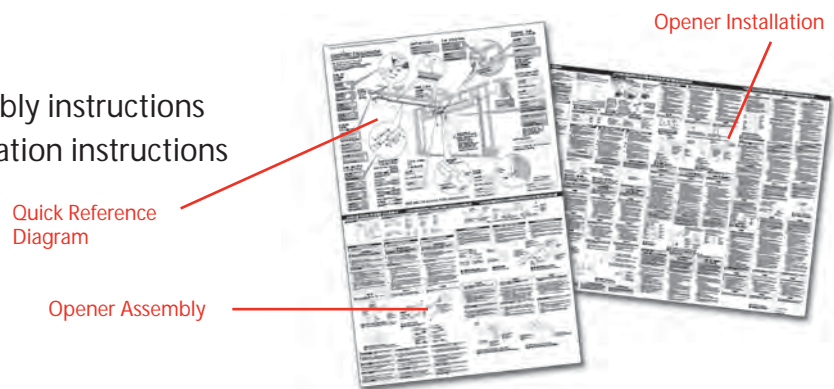
- Warranty Information
- Pre Installation Checklist to be reviewed prior to any assembly or installation
- Necessary Adjustments
- Programming Remote Devices
- Maintenance and Troubleshooting
- Parts Explosions
- Accessory Order Form
- Door Opener Association Safety and Maintenance Brochure (DASMA)
- Entrapment Warning Label - To be Adhered in close proximity to wall control



## Assembly and Installation Poster

This poster is intended to give a convenient lay flat media to be used at the site of assembly and installation. Color coding is used to highlight steps and other information as clearly as possible. This poster is Tri-Lingual with english instructions highlighted with a blue background. The basic contents of this Poster are:

- Quick Reference Poster
- Pictorial and step by step opener assembly instructions
- Pictorial and step by step opener installation instructions



**IT IS CRITICAL THAT ALL SAFETY WARNINGS MARKED CLEARLY IN BOTH THE MANUAL AND POSTER ARE READ, UNDERSTOOD AND FOLLOWED.**

Overhead Door Corporation is constantly striving to improve our products and the documentation that comes with them. If you have any suggestions or ideas for improving this product and it's documentation, please forward them to:

**Overhead Door Corp.**  
22790 Lake Park Blvd.  
Alliance, Ohio 44601-3498

# OVERVIEW OF POTENTIAL HAZARDS

Garage Doors are heavy objects that move with the help of springs under high tension and electric motors. Since moving objects, springs under tension, and electric motors can cause injuries, your safety and the

safety of others depend on you reading the information in this manual. If you have questions or do not understand the information presented, call your nearest service representative.




In this section, and those that follow, the words **Danger**, **Warning** and **Caution** are used to emphasize important safety information. The word:

**⚠ DANGER:** indicates an imminently hazardous situation which, if not avoided, will result in death or serious injury.

**⚠ WARNING:** indicates a potentially hazardous situation which, if not avoided, could result in death or serious injury.

**⚠ CAUTION:** indicates a potentially hazardous situation which, if not avoided, may result in injury and property damage.

The word **NOTE** is used to indicate important steps to be followed or important information.

POTENTIAL HAZARD	EFFECT	PREVENTION
 <b>MOVING DOOR</b>	<b>WARNING:</b> Can Cause Serious Injury or Death	<ul style="list-style-type: none"> <li>• Keep people clear of opening while door is moving.</li> <li>• Do Not allow children to play with the door operator.</li> <li>• Do Not operate a door that jams or one that has a broken spring.</li> </ul>
 <b>ELECTRICAL SHOCK</b>	<b>WARNING:</b> Can Cause Serious Injury or Death	<ul style="list-style-type: none"> <li>• Turn off power before removing operator cover.</li> <li>• When replacing cover, make sure wires are not pinched or near moving parts.</li> <li>• Operator must be properly grounded.</li> </ul>
 <b>HIGH SPRING TENSION</b>	<b>WARNING:</b> Can Cause Serious Injury or Death	<ul style="list-style-type: none"> <li>• Do Not try to remove, repair or adjust springs or anything to which door spring parts are fastened, such as, wood blocks, steel brackets, cables or other like items.</li> <li>• Repairs and adjustments must be made by a trained service person using proper tools and instructions.</li> </ul>

## IMPORTANT INSTALLATION INSTRUCTIONS

### ⚠ WARNING:

#### TO REDUCE THE RISK OF SEVERE INJURY OR DEATH:

- 1 READ AND FOLLOW ALL SAFETY, INSTALLATION AND OPERATION INSTRUCTIONS. If you have any questions or do not understand an instruction, call your service representative.
- 2 Do Not install operator on an improperly balanced door. An improperly balanced door could cause severe injury. Repairs and adjustments to cables, spring assembly, and other hardware must be made by a trained service person using proper tools and instructions.
- 3 Remove all ropes, and disable all locks connected to the door before installing operator.
- 4 Install door operator 7 feet or more above the floor. Mount the emergency release knob 6 feet above the floor.
- 5 Do Not connect the operator to the source of power until instructed to do so.
- 6 Locate the control button:
  - Within sight of door.
  - At a minimum height of 5 feet, so small children cannot reach it.
  - Away from all moving parts of the door.
- 7 Install the entrapment WARNING label next to the wall button or console. Install the emergency release tag on, or next to, the emergency release
- 8 The operator must reverse when the door contacts a 1-1/2 inch high object on the floor at the center of the doorway. This is about the size of a 2" x 4" board laid flat.

## SAFETY FEATURES

### Safe-T-Beam® (STB) Non-Contact Reversing System

Places an invisible beam across door opening, that reverses the door during down travel to the fully open position if anything passes through beam.

### Safe-T-Reverse® Contact Reversing System

Automatically stops and reverses a closing door within 2 seconds of contact with an object.

### Automatic Lighting System

Two light bulbs up to 60 Watts max. each, are used for safer entries and exits. The lights turn on when door is activated and automatically turn off 4 minutes after stopping in each end position.

### Manual Emergency Release

Allows the garage door to be opened or closed manually for emergencies or maintenance.

### Speed Control

Self-adjusted.

### Force Control

Self-adjusted.

# PRE-INSTALLATION CHECKLIST

This Opener includes parts and supplies needed to install in **most** garages and connect to **most** garage doors. There are many variations of garages and garage doors. A few additional parts and supplies may be needed to install Opener into **your** garage and connect to **your** garage door. While checking items listed below, note any additional items you will need.

## Tools used in this section:

- 12'+ Tape Measure
- Pencil
- Ladder
- Level

## Check following items before assembling Opener:

### Check Step 1: CHECK DOOR CONDITION AND THICKNESS

Check condition of vertical stile (Figure 2) in center of door, and its connection to door's top and bottom beams.

- A** If door frame is nailed together and not a solid connection, door frame must be braced or reinforced before installing Opener.
- B** If door is "lightweight" (made with frame and skin - not solid), door (including door frame) must be braced or reinforced before installing Opener.
- C** A door opener reinforcement bracket may also be needed to connect garage door to Opener's Door Bracket. This Opener is designed for installation on a **properly braced** sectional door or **solidly braced** one-piece door.
- D** Contact your Overhead Door Factory Authorized Dealer or dealer of your garage door for any necessary bracing and a door opener reinforcement bracket (if needed) before proceeding.
- E** If you have a wooden door, measure door's thickness. (1/4" x 2") Lag Screws are included for installing Door Bracket onto door. If your door is less than 2" thick, brace door or use shorter Door Bracket Lag Screws (1/4" x 1-1/4" – not included)

KEEP FEET CLEAR OF DOOR

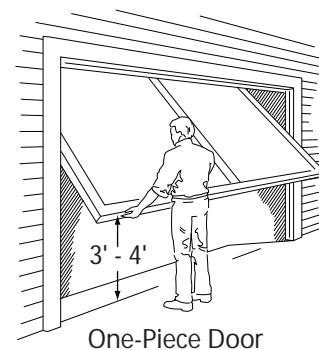
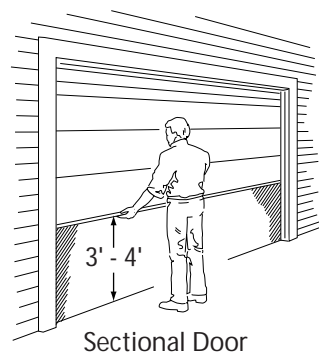


Figure 1 Checking door balance

### Check Step 2: CHECK GARAGE DOOR ALIGNMENT, OPERATION, AND BALANCE

- A** Raise door, check alignment and see if it moves freely (Figure 1). If door appears out of alignment, binds, or does not move smoothly, contact a Overhead Door Factory Authorized Dealer or dealer of your garage door for repairs and adjustments to door mechanism.
- B** Raise door to 3' – 4' above ground and carefully let go. Door should stay stationary. Slight movement is acceptable. More than slight movement means door is out of balance. Contact a Overhead Door Factory Authorized Dealer or dealer of your garage door for repairs and adjustments to door mechanism.
- C** Check door type. Make a note of whether it is a sectional or a one-piece door (Figure 2).

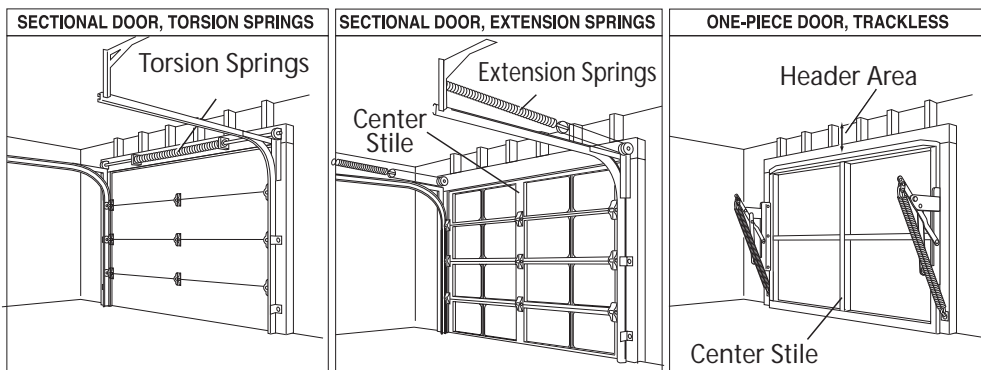


Figure 2 Note Door Type

## ⚠ WARNING:

If your door sticks, binds, or is out of balance, have it adjusted by a Overhead Door Factory Authorized Dealer. Door springs, cables, pulleys, brackets and associated hardware are under extreme tension and can cause serious injury or death.

### Check Step 3: MEASURE GARAGE DOOR HEIGHT

Measure garage door height (7'-6", 8'-0", or taller) with tape measure.

- A If door height is 7'-6" or less, continue with Check Step 4.
- B If your door height is above 7'-6", you may need a channel extension kit (Figure 3). If there is any question contact your Customer Service Representative at **1-800-784-5028**.

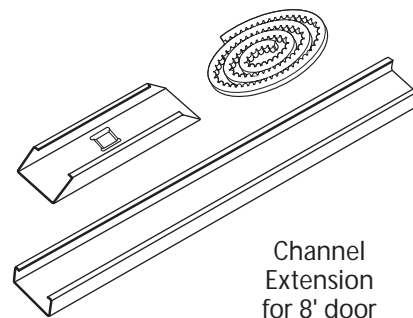


Figure 3 Channel Extension Kit

### Check Step 4: CHECK DOOR HEADER AREA

#### NOTE

The header is a heavily reinforced section of the wall just above the top of the garage door opening.

- A Find vertical center line of door and header:
  - Close door.
  - Measure door width at top.
  - Mark a point at center of door and on header directly above door. Draw a center line to connect points.
- B Find Header Bracket mounting height (Figure 4): (Do not attach Header Bracket).
  - Raise door, watching top edge of door and stop door when its edge reaches its highest point.
  - Measure distance ("H") from top edge of door to floor.
    - For sectional doors, add 2-1/2" to "H". Mark a point on center line. Bottom of Header Bracket will be installed here.
    - For one-piece doors, add 6" to "H". Mark this point on center line. Bottom of Header Bracket will be installed here.

#### NOTE

- For both types of doors:
  - If the ceiling in your garage is so low that there is not at least a 3" space above the Header Bracket mounting point, contact a Overhead Door Factory Authorized Dealer.
- If a door spring is in the way, place the Header Bracket above the spring. **Do Not** move the door spring.

#### ⚠ WARNING:

Door springs are under extremely high tension and should be handled **ONLY** by a trained professional.

- C Check wall for a stud or a solid header at your mark: (If checking a finished wall, a stud finder may be helpful).
  - If location is above Header, a 2" x 6" board must be screwed to studs beside your mark with at least two Lag Screws and Flat Washers (not provided).
  - Transfer your mark to new mounting board.

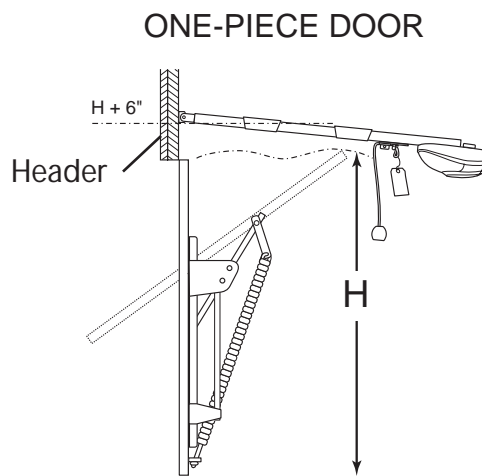
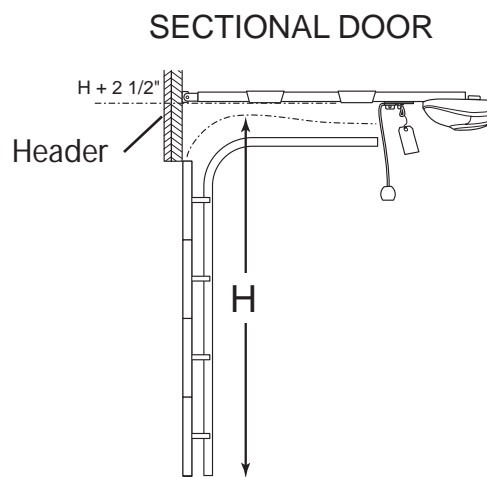


Figure 4 Find Highest Point of Travel

## Check Step 5: CHECK POWER HEAD MOUNTING AREA

Check ceiling or space above where Opener Power Head will be mounted (Figure 5):

- A** Measure from garage door center line mark toward rear of garage:
- Approximately 11' back if garage has a 7' 6" door.
  - Approximately 13' 6" back if garage has an 8' 0" door.

### NOTE

Mounting Straps are included to attach the Opener to most garage ceilings. Garage construction varies widely. Additional mounting straps or angle iron may be needed for your installation.

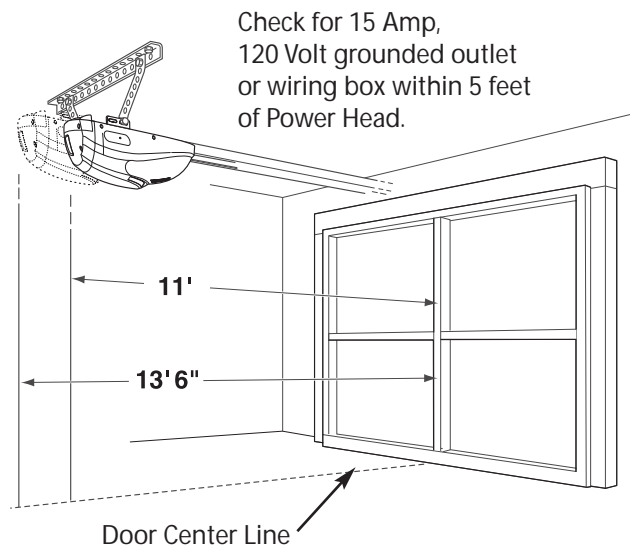
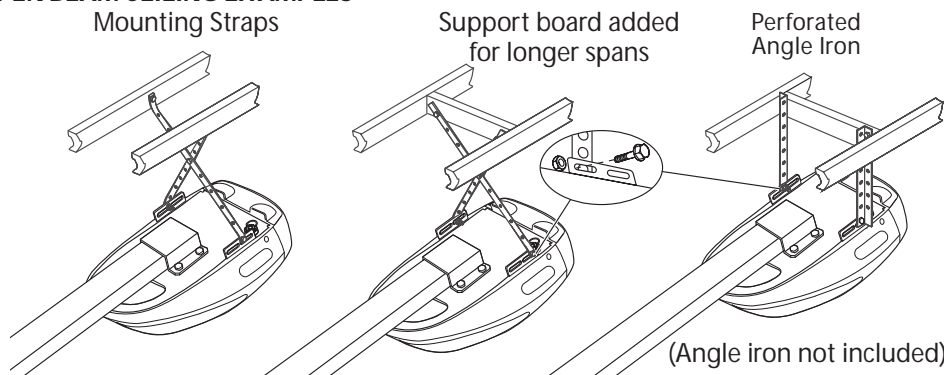


Figure 5 Check Power Head location

- B** Find location of ceiling joist or truss above where Opener Power Head will be and estimate type and quantity of materials needed for your installation (Figure 6).

### OPEN BEAM CEILING EXAMPLES



### FINISHED CEILINGS

Locate ceiling joists or trusses using a stud finder or similar device.

Attach angle iron (not included) to joists or trusses through finish material using Lag Screws.

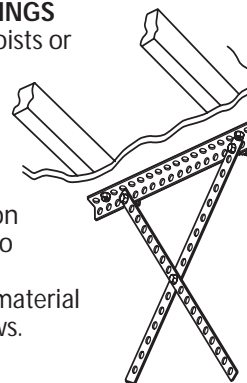


Figure 6 Mounting methods for open beam and finished ceilings. (Check power outlet locations.)

## Check Step 6: CHECK CEILING FOR GROUNDED POWER SOURCE

- A** Check that there is a 15 Amp 120 Volt grounded electrical outlet or grounded permanent wiring box (per building code) within 5' of Opener Power Head:
- If not, an outlet or wiring box must be installed. Contact a licensed electrician for installation.
  - If building codes require permanent wiring, Power Head must be partially disassembled to install appropriate wiring in place of Power Cord. See Installation Poster.

### NOTE

Permanent wiring must be installed by a Licensed Electrician. Not all Overhead Door Factory Authorized Dealers are Licensed Electricians. Contact someone who is a Licensed Electrician.

## Check Step 7: CHECK SAFE-T-BEAM® MOUNTING BRACKET LOCATION

Check for wood garage frame, jamb, or masonry at mounting location (6" above floor) with attachment tabs facing away from garage door (Figure 7).

- A If you cannot mount Safe-T-Beam® Mounting Bracket to wood frame:
- Concrete screws and concrete anchors (not included) must be used to mount Brackets on masonry with attachment tabs facing away from garage door.
  - Safe-T-Beam® Mounting Bracket Extensions may be used (not included - available from a Overhead Door Factory Authorized Dealer or through Accessories Order Form on page 20).

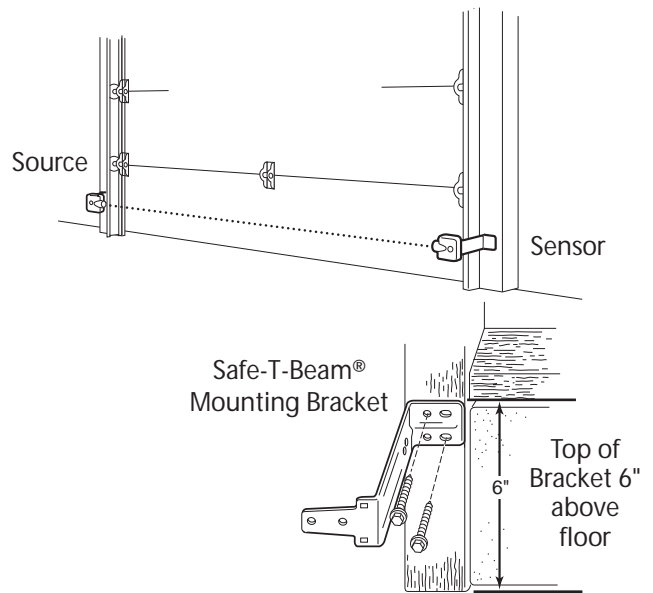


Figure 7 Mounting Safe-T-Beam® Components

## Check Step 8: RECOMMENDED TOOLS

- A Tools (Figure 8):
- B Additional tools to make installation easier:
- Slotted and phillips screw-driver bits
  - Stud finder
  - Sheet-metal cutting snips

## Check Step 9: REMOVE EXISTING GARAGE DOOR LOCKS

Check that the garage door locks, rope, and T-Handles are removed from the garage door before starting the installation.

- A If your garage does not have a separate entry door, it is highly recommended to install a Emergency Release Kit (GER-2). Emergency Release Kit lets you open garage door from outside if there is a power failure. (Please see Accessories Order Form on page 20.)

### Before going further, get any items and tools needed for your installation

- Safe-T-Beam® Sensor Mounting Bracket Extensions (dealer)
- Garage door opener reinforcement bracket (dealer)
- Garage door frame reinforcement brackets, screws, bracing or reinforcement kits (dealer)
- Lag Screws (1-1/4") for a wood door less than 2" thick (store)
- Electrical outlet and/or wiring (supplied by a licensed electrician)
- Extension Kit (for 8' garage doors) (store)
- Sufficient angle iron or strapping for hanging Power Head (store)
- Two 60 Watt light bulbs (Rough service bulbs recommended)(store)
- GER-2 Emergency Release Kit for entry during power failure (store)
- Wood for header, ceiling, and/or door bracing reinforcement (if needed)
- Masonry fasteners for Safe-T-Beam® Bracket installation, (if needed)
- Masonry drill bit (if needed)
- Extension Kit (for 8' garage doors)

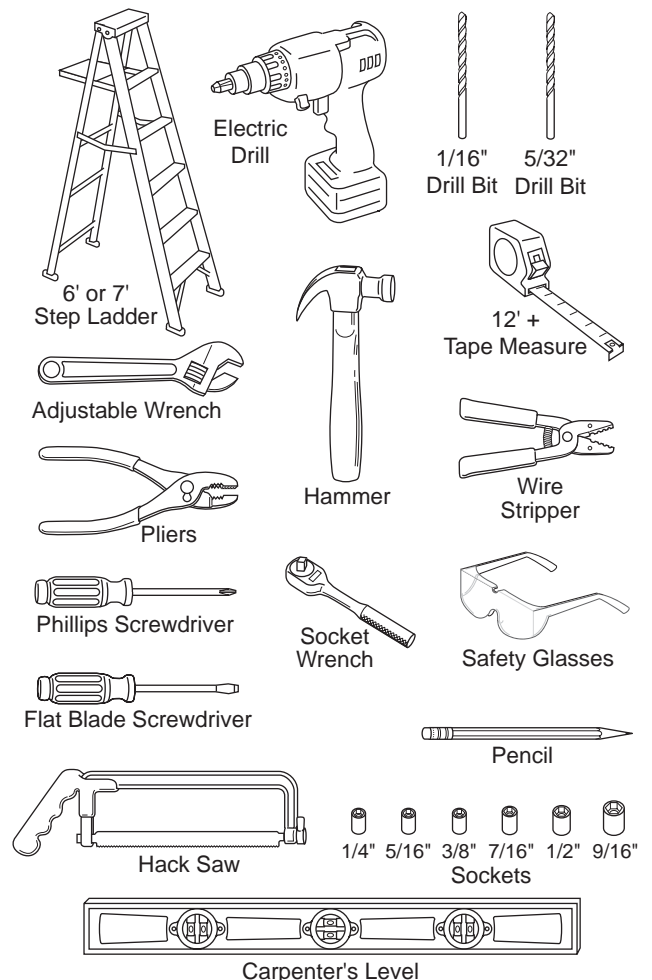


Figure 8 Recommended Tools



# ADJUSTMENTS AND MAINTENANCE

## PROGRAMMING THE OPENER

### BEFORE STARTING

#### Control Elements

The control for programming the door opener is located at the back right corner of the power head.

- A Numerical display shows the menu stage as well as the selected value (Figure 9).
  - Decimal Point display lights up to indicate “ready for operation” and flashes during remote control programming.
- B Serves as an “UP” button during the setting/adjustment phase, and as a “START” button outside the menu.
- C Serves as a “DOWN” button during the setting/adjustment phase.
- D Used to select the desired setting/adjustment menu or menu stage and to store settings.

Programming the control unit is menu driven. Pressing button D calls up the menu guide. The numbers displayed indicate the menu stage. After approximately 2 seconds the display flashes and the setting can be altered using buttons B and C. The selected setting is stored with button D, and the program automatically jumps to the next menu stage. By repeatedly pressing button D, menu stages can be skipped. To quit the menu, press button D until “0” is shown again. When not in programming mode, button B can be used to activate the unit.

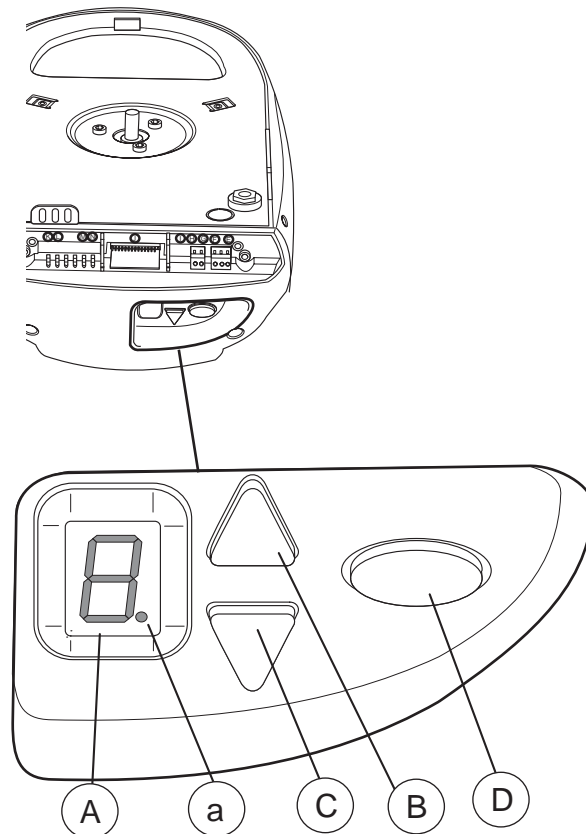


Figure 9 Control elements

### NOTE

Before programming allow door to engage with the carriage. Turn on the power supply. Make sure the antenna is positioned correctly. Observe the remote transmitter instructions.

### Settings Step 1: SETTING/ADJUSTING THE TOP END OF TRAVEL

- A Keep button D pressed for 3 seconds (Figure 10).
  - Number 1 will appear in the display.
  - Wait a short time until the 1 begins flashing.
- B Press button B. The door will travel in the OPEN direction as long as the button is pressed. Release button B when door has reached desired open position. Use B and C buttons to make final adjustments.
- C Once the desired OPEN end-of travel position has been reached, press button D. The operator stores the OPEN end-of-travel position and “2” appears in the display.

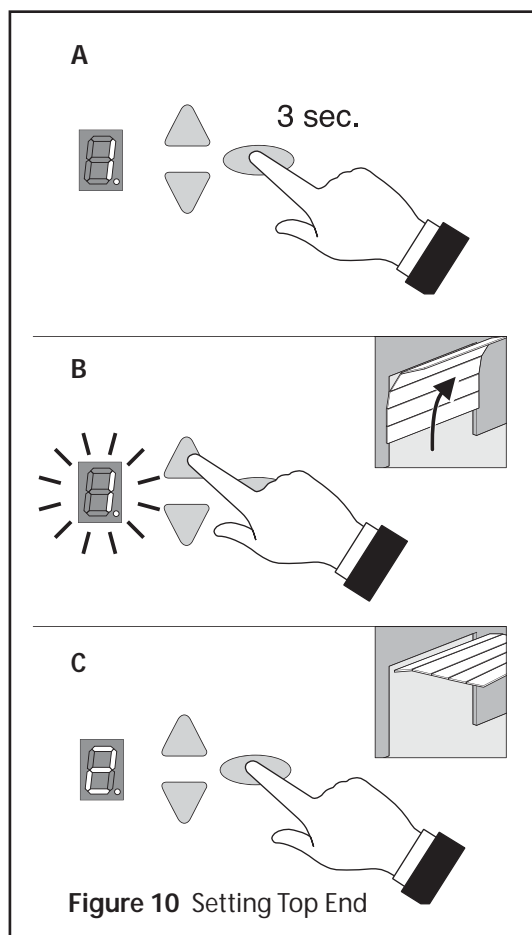


Figure 10 Setting Top End

## Settings Step 2: SETTING/ADJUSTING THE BOTTOM END OF TRAVEL

- A** Wait a short time until "2" starts flashing. Press button C. The door will travel in the CLOSE direction as long as the button is pressed. Release button C when door is within two inches of floor. Use B and C buttons to make final adjustments. **Figure 11.**
- B** Once the desired CLOSE end-of-travel position has been reached, press the D button. The opener stores the CLOSE end-of-travel position.
- "0" is displayed.

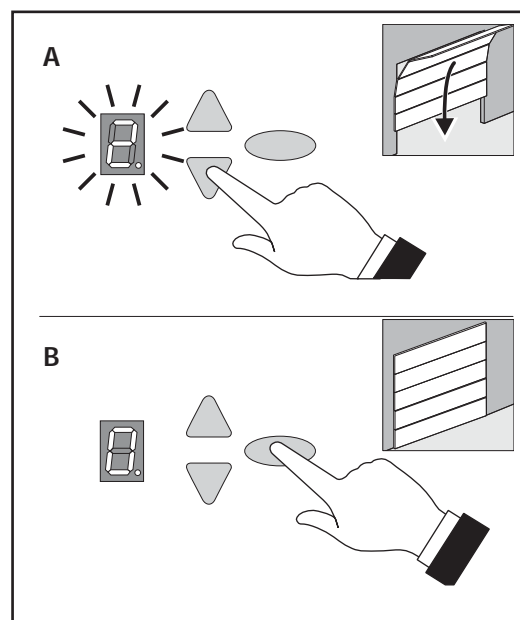


Figure 11 Setting bottom end

## Settings Step 3: PROGRAMMING THE REMOTE CONTROL

- A** Briefly press button D. **Figure 12.**
- "3" is displayed.
- B** When the display begins to flash, press the desired button on the remote for one second, then release the button for one second. Continue pressing and releasing the same button until decimal point begins to flash.
- Additional transmitters (up to 7) can be programmed by following the same procedure.
- C** To operate the remote control.
- Press the remote button once.
    - The door will move.
  - Press the same button again.
    - The door will stop.
  - Press the same button again.
    - The door will move in the opposite direction. The door will stop automatically at the fully open or fully closed position.

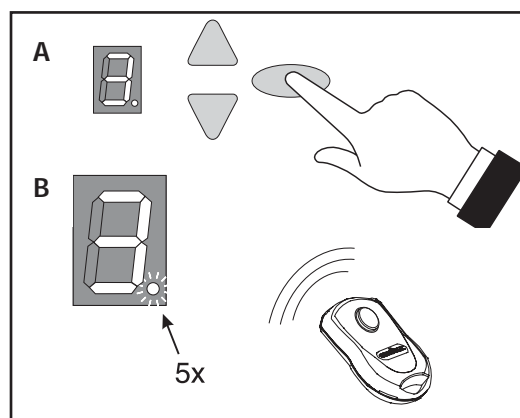


Figure 12 Programming Start Function.

## Settings Step 4: PROGRAMMING MULTI-BUTTON REMOTE CONTROLS

- A** Programming.

### NOTE

Each button on a multi-button remote is designed for use with 1 door. You cannot program 2 buttons to operate the same door, nor can you program 1 button to operate 2 doors.

- For each button.
    - Program as one-button transmitter above.
- B** Operation.
- Same as one-button.

## NOTE

In case of a lost or stolen transmitter, use the following step to prevent unauthorized entry to your home.

### Settings Step 5: DELETING ALL THE REMOTE CONTROLS

- A Unplug the opener.
- B While holding button D, plug in the opener.
- C Re-program desired remote controls by following Setting Step 3 or 4.

### Settings Step 6: REPLACING THE REMOTE CONTROL BATTERY

- A FOR NON-FLASHLIGHT MODELS
  - Pop off the back of the remote.
  - Use coin, pen, screwdriver or any similar device.
  - Replace old Battery with new compatible coin type battery.
  - Replace back of remote.
- B FOR FLASHLIGHT MODELS
  - Slide open battery cover.
  - Replace old Battery with new AAA battery.
  - Replace battery cover.

## NOTE

- Each Remote Control must be programmed separately.
- The Remote Controls will not cause the door Opener to close the garage door if the Safe-T-Beam® System is malfunctioning.
- When programming the Remote Controls, they must be at least 24" from the Antenna Wire.
- Each Button on a 3 Button Remote Control is for a different Opener. You cannot use more than one Button per Remote, per Opener.
- A maximum of seven Remote Controls or Wireless Keypads can be stored into the Receiver at one time. If a Remote Control becomes lost, or if you want to delete a Remote Control or Wireless Keypad, see "Delete Remote Controls."



## WARNING

A moving garage door may cause serious injury or death.

- Keep people clear of opening while door is moving.
- Do not allow children to play with the Remote Controls.

If the Safety Reverse does not work properly:

- Close the door and disconnect the Opener using the Emergency Release Cord.
- Do not use door Opener, Remote Controls, or Wireless Keypad.
- Refer to the door and door Opener Owner's Manuals before attempting any repairs.

### Remote Control Operation (Figures 13A and 13B)

- A Press Button on Remote Control. Garage door will move.
- B Press Button again. Garage door will stop:
  - The door automatically stops at the end of the open or close cycle.
- C Press Button again. Garage door will reverse.

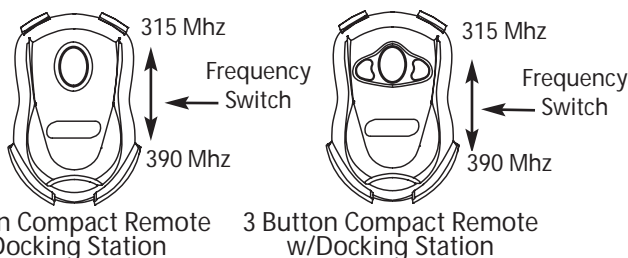


Figure 13A Overhead Door Remote Controls

- D Some Remote Controls are equipped with a flashlight. The logo is the button which operates the light. There is a backlight under the button. When it does not light, it indicates the battery needs to be replaced.

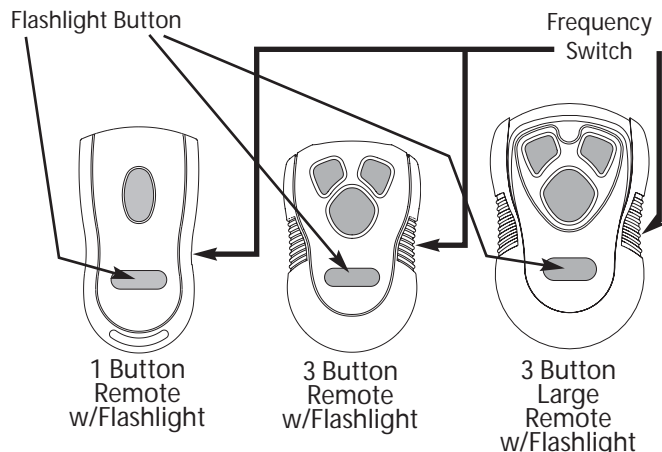


Figure 13B Overhead Door Remote Controls

## ABOUT DUAL FREQUENCY REMOTE TRANSMITTERS

Your garage door opener (GDO) features a unique dual frequency remote control system for reliable service in today's crowded airwaves. Overcrowded airwaves may intermittently interfere with GDO's remote control system. The dual frequency feature greatly reduces the possibility of unwanted interference.

The receiver in the GDO's powerhead can receive signals at 315 AND 390 MHz. The remote is factory set at 315 MHz. See Figures 13A and 13B for frequency selector switch.

### Switch your remote control frequency when:

- Remote does not have adequate range.
- Remote works inconsistently with fresh battery installed - LED feedback lights up when pressing button.
- Programming your car's HomeLink® system.

### To program a HomeLink® device:

*(This GDO is HomeLink® compatible.)*

- Use a small flat screwdriver to switch the frequency selector to 390 MHz.
- Follow the HomeLink® instructions in your car owner's manual.
- Reset the remote control frequency to 315 MHz for everyday use.

## FCC and IC CERTIFIED

This device complies with FCC Part 15 and RSS 210 of Industry Canada. In accordance with FCC Regulations, this device has no right to be protected from interference by other legal radio transmissions. Accordingly, it is possible that military or other civilian radio transmissions operating on a similar frequency could interfere with the radio transmission between the remote transmitter and the receiver in this device. This equipment has been tested and found to comply with the limits for a Class B digital device, pursuant to Part 15 of the FCC Rules. These limits are designed to provide reasonable protection against harmful interference in a residential installation. This equipment generates, uses and can radiate radio frequency energy and, if not installed and used in accordance with the instructions, may cause harmful interference to radio communications. However, there is no guarantee that interference will not occur in a particular installation. If this equipment does cause harmful interference to radio or television reception, which may be determined by turning the equipment off and on, the user is encouraged to try to correct the interference by one or more of the following measures:

- Re-orient or relocate the receiver antenna.
- Increase the separation between the operator and receiver.
- Connect the operator into an outlet on a circuit different from that to which the receiver is connected.
- Consult your local dealer.

## Settings Step 7: CHECKING THE FORCE LIMIT

- A** Test contact reverse.
- Open door using Wall Control.
  - Lay 2" x 4" board on floor in center of garage door opening (Figure 14).
  - Close door using Wall Control.
    - Door should stop and reverse within 2 seconds of contacting the board.
    - If door does not reverse properly, repeat Setting Steps 1 and 2 on pages 9 and 10.
    - If door still won't reverse properly, contact Customer Service at 800-784-5028.

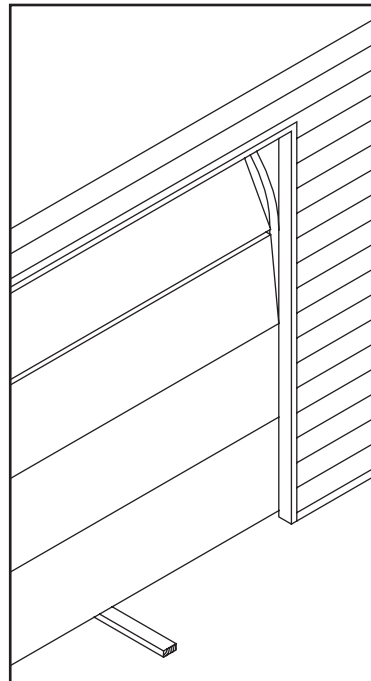
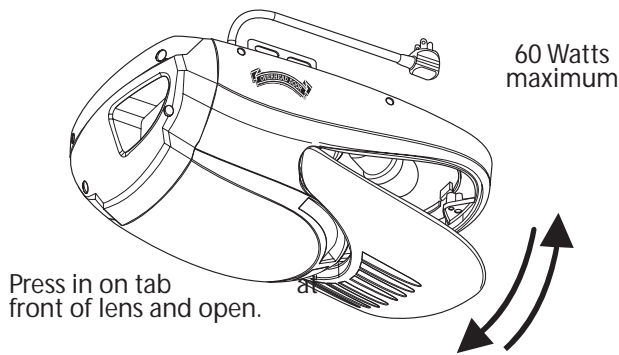


Figure 14 Checking force limit.

## Settings Step 8:

## INSTALL LIGHT BULBS



**Figure 15** Install Lens Cover and Light Bulbs

- A** Install two 60 Watt light bulbs (not included) into Light Sockets:
- Rough service, 130 Volt bulbs are recommended.
- B** Install Emergency Release Kit (**GER-2**) accessory, if purchased.

### Transmitter Compliance Statement

Transmitters comply with all United States and Canadian legal requirements as of the date of manufacture. No warranty is made that they comply with all legal requirements of any other jurisdiction. If transmitters are to be used in another country, the importer must determine compliance with any local laws and regulations which may differ from United States and Canadian requirements prior to use.

Los transmisores cumplen con todas las reglamentaciones legales de los Estados Unidos y del Canadá, en la fecha de fabricación. Ninguna garantía se da que cumplan con todas las reglamentaciones legales de ninguna otra jurisdicción. Si los transmisores se van a utilizar en otro país, el importador debe determinar si cumplen con las reglamentaciones y leyes locales que puedan ser diferentes a las reglamentaciones de los Estados Unidos y del Canadá, antes de usar los mismos.

Les émetteurs sont conformes à la réglementation américaine et canadienne à compter de leur date de fabrication. Aucune garantie n'est stipulée indiquant qu'ils sont conformes à toutes les prescriptions juridiques d'autres autorités. Si les émetteurs sont utilisés dans d'autres pays, il incombe à l'importateur d'en déterminer leur conformité aux lois et règles locales pouvant différer de celles des États-Unis et du Canada avant toute utilisation desdits émetteurs.

Sendegeräte entsprechen allen gesetzlichen Bestimmungen in den USA und Kanada zum Zeitpunkt der Herstellung. Wir übernehmen keine Gewährleistung für die Einhaltung aller gesetzlichen Bestimmungen in anderen Ländern. Sollen Sendegeräte in anderen Ländern eingesetzt werden, so muss der Importeur vor dem Gebrauch sicherstellen, dass die Sendegeräte auch solchen lokalen Bestimmungen entsprechen, welche von den Bestimmungen der USA und Kanadas abweichen.

截止于制造日期·传动装置符合美国和加拿大的所有法律要求·不提供传动装置符合任何其他司法地区所有法律要求之担保·如果传动装置需在任何其他国家使用·进口商必须在使用之前确定装置符合与美国和加拿大要求不同之所有地方法规条例·

トランスミッターは、製造日付けのアメリカ合衆国及びカナダの法的条件に準拠します。しかしながら、トランスミッターがアメリカ合衆国及びカナダ以外の国の法的条件に準拠するか否かは一切保証できません。トランスミッターがアメリカ合衆国及びカナダ以外の国で使用される場合、同製品の使用に先立つ法規制がこれらの国々と異なることがあるため、輸入者は同製品が輸入国の法規制に準拠することを確認しなければなりません。

트랜스미터들은 미국과 캐나다 전역에서 제조 날짜를 명기해야 하는 요구사항에 따라야 합니다. 기타 다른 관할권의 모든 법적인 요구 사항에 따라야 하는 책임은 없습니다. 만일 트랜스미터들이 기타 다른 지역에서 사용될 경우 수입업자는 사용하기에 앞서 미국과 캐나다와의 요구사항과는 다를지도 모르는 그 지역의 법과 조례에 따라야 할지의 여부를 결정해야 합니다.

## MAINTENANCE

- A** Monthly:
- Door springs and door hardware:
    - Oil door roller, bearings, and hinges using silicone lubricant or light oil.

### WARNING

Do not operate door automatically or manually if springs are broken. Contact an Overhead Door Distributor for service or call Customer Service at **1-800-784-5028**.

- Balance Door.
  - Close door.
  - Release Carriage Assembly from Rail Assembly by pulling down on Emergency Release Knob.
  - Raise door manually 3'- 4' and verify that door stays at that position. See Check Step 2 on page 5.

### NOTE

When the door is 3' - 4' above the ground, the door should stay open. Slight movement is acceptable. If the door moves too much, contact an Overhead Door Distributor for service or call Customer Service at **1-800-784-5028**.

- Reattach Carriage Assembly to Rail Assembly:
  - a. Pull the Emergency Release Knob toward Power Head.
  - b. Close door.
- Contact Reverse Test.
  - Perform Settings Step 7 on page 12.

### WARNING

If the door fails to reverse on contact with the board, even after performing Setting Step 7 on page 12, contact an Overhead Door Distributor for service or call Customer Service at **1-800-784-5028**.

### FCC AND IC CERTIFIED

All devices comply with Part 15 of the FCC Rules. Operation is subject to the following two conditions: (1) this device may not cause harmful interference, and (2) this device must accept any interference received, including interference that may cause undesired operation.

**GENERAL TROUBLESHOOTING** Whenever working on power head, disconnect power first!

Problem	Possible Cause	What To Do
Door does not fully close or open.	Door mechanics have changed. End-of-travel positions incorrectly set.	Have the door professionally checked. Reset end-of-travel positions (Setting Steps 1 and 2).
Door presses into the end-of-travel positions.	Optimum setting of end-of-travel positions has not been achieved.	Reset end-of-travel positions (Setting Steps 1 and 2).
After closing, door opens slightly producing a gap.	Door blocks just before closed position.	Remove obstruction or reset CLOSE end-of-travel position (Setting Step 2).
Door does not respond to signal from remote control, but does respond to push button or wall control.	Weak battery in remote control. Antenna not plugged in or correctly aligned. Remote control not programmed.	Replace battery. Plug in or align antenna. Program remote.
Door does not respond to signal from remote control or any other control device.	See diagnostic display.	See diagnostic display.
Insufficient range of remote control.	Weak battery in remote control. Antenna not plugged in or correctly aligned. On-site screening of receiving signal.	Replace battery. Plug in or align antenna. Connect external antenna (accessory).

**DIAGNOSTIC DISPLAY** During operation, the display provides diagnostic information on possible faults.

Number	Condition	What To Do
0	Operator starts up and "0" goes out	Normal operation.
2	Safe-T-Beam photo cell is interrupted.	See self-diagnostic Safe-T-Beam System Troubleshooting Chart (page 15).
7	Vacation lock switch in locked position.	Move switch to unlocked position.
3	Motor has stopped.	Call Customer Service at 1-800-784-5028.
4	Permanent signal from wall console.	Check Wall Console for stuck button.
5	An error has occurred in setting up or down limit.	Travel path too long. Repeat setting procedure (Setting Steps 1 and 2).
0	"0" displayed during the next opening and closing cycle and then goes out. "0" continues to be displayed.	Opener is confirming normal operation after an error is corrected. No action required.

## IMPORTANT SAFETY INSTRUCTIONS



### WARNING

## TO REDUCE THE RISK OF SEVERE INJURY OR DEATH

- 1 READ AND FOLLOW ALL INSTRUCTIONS.
- 2 Never let children operate or play with the Door Controls. Keep the Remote Control away from children.
- 3 Always keep the moving door in sight and away from people and objects until the door is completely closed. **NO ONE SHOULD CROSS THE PATH OF THE MOVING DOOR.**
- 4 NEVER GO UNDER A STOPPED, PARTIALLY OPEN DOOR.
- 5 Test Opener monthly. The door **MUST** reverse on contact with a 1-1/2" high object (or a 2" x 4" board laid flat) at the center of the doorway on the floor. After adjusting the Limit of travel, retest the Door Opener. Failure to adjust the Opener properly may cause severe injury or death.
- 6 When possible use the Emergency Release only when the door is closed. Use caution when using this Release with the door open. Weak or broken springs are capable of increasing the rate of door closure and increasing the risk of severe injury or death.
- 7 **KEEP GARAGE DOORS PROPERLY BALANCED.** See Owner's Manual. An improperly balanced door increases the risk of severe injury or death. Have a Overhead Door Factory Authorized Dealer make repairs to cables, spring assemblies, and other hardware.
- 8 **SAVE THESE INSTRUCTIONS.**



### WARNING

Use the Wall Console included with Opener. Any other wall console can cause the Opener to operate unexpectedly and the light to stop working.

## TROUBLESHOOTING GUIDE


### Safe-T-Beam® System Self-Diagnostic Troubleshooting

Source (Red LED)	Sensor (Green LED)	Possible Problem	Solution
ON	ON	Normal operation	None required
OFF	OFF	<ul style="list-style-type: none"> <li>• Power Head not powered</li> <li>• Wiring from Power Head bad</li> </ul>	<ul style="list-style-type: none"> <li>• Check breakers, fuses, plugs</li> <li>• Check wiring for obvious shorts</li> </ul>
OFF	ON	<ul style="list-style-type: none"> <li>• Wiring to Source missing or bad</li> <li>• Power has been interrupted</li> </ul>	<ul style="list-style-type: none"> <li>• Check wiring</li> <li>• Remove power and reapply</li> </ul>
<b>2 BLINKS</b> , Pause (Repeat)	ON	<ul style="list-style-type: none"> <li>• Beam not aligned</li> <li>• Beam obstructed</li> <li>• Sensor defective</li> </ul>	<ul style="list-style-type: none"> <li>• Check Source, Sensor alignment</li> <li>• Check for obstruction</li> <li>• Contact Customer Service</li> </ul>
<b>2 BLINKS</b> , Pause (Repeat)	OFF	<ul style="list-style-type: none"> <li>• Wire to Sensor missing or bad</li> <li>• Sensor defective</li> </ul>	<ul style="list-style-type: none"> <li>• Check wiring</li> <li>• Contact Customer Service</li> </ul>
<b>3 BLINKS</b> , Pause (Repeat)	ON	<ul style="list-style-type: none"> <li>• Sensor receiving interference</li> </ul>	<ul style="list-style-type: none"> <li>• Determine source of interference</li> <li>• Contact Customer Service</li> </ul>
<b>4 BLINKS</b> , Pause (Repeat)	ON	<ul style="list-style-type: none"> <li>• Source not sending pulses</li> <li>• Source defective</li> </ul>	<ul style="list-style-type: none"> <li>• Contact Customer Service</li> <li>• Contact Customer Service</li> </ul>

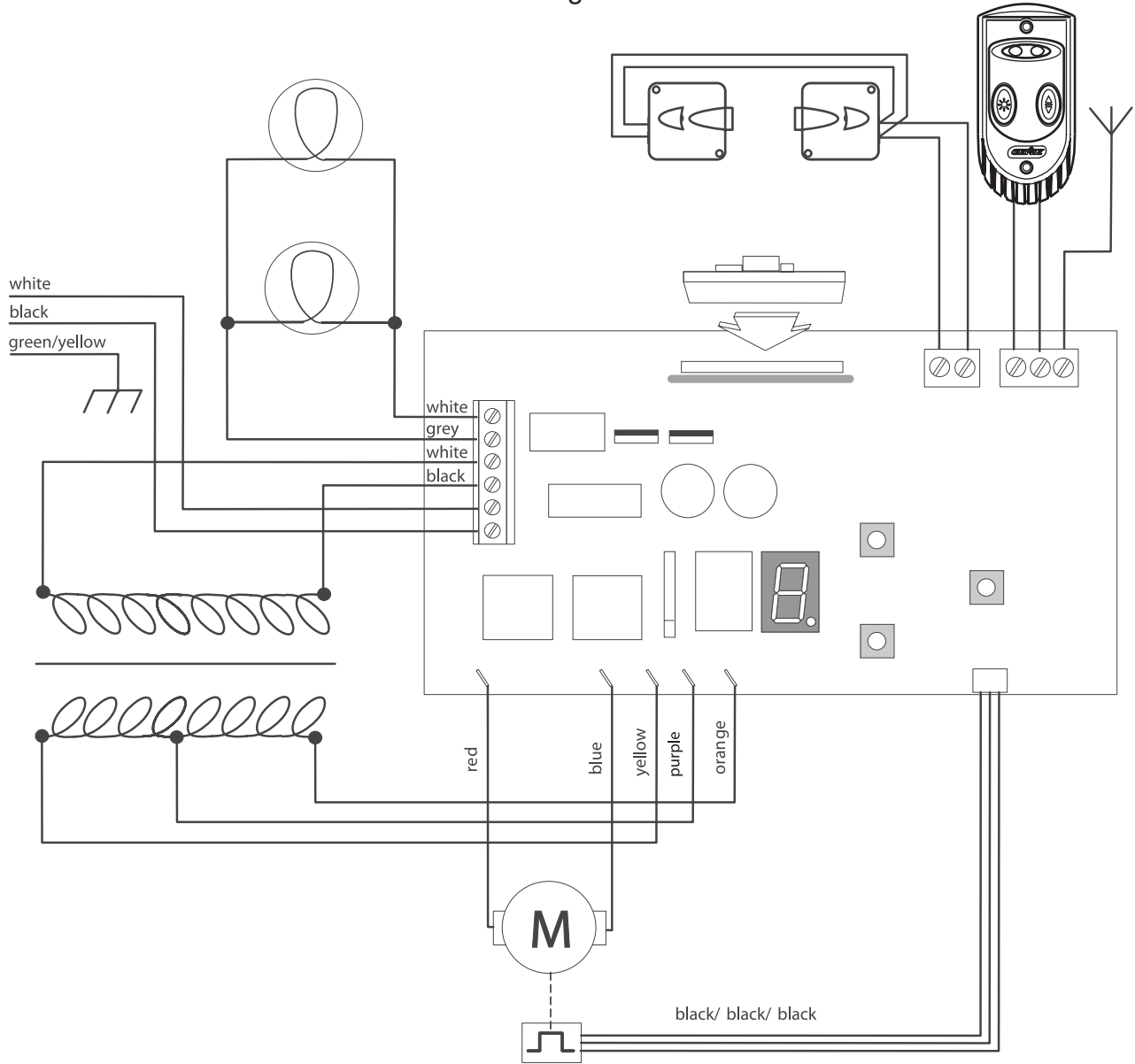




# WIRING DIAGRAM

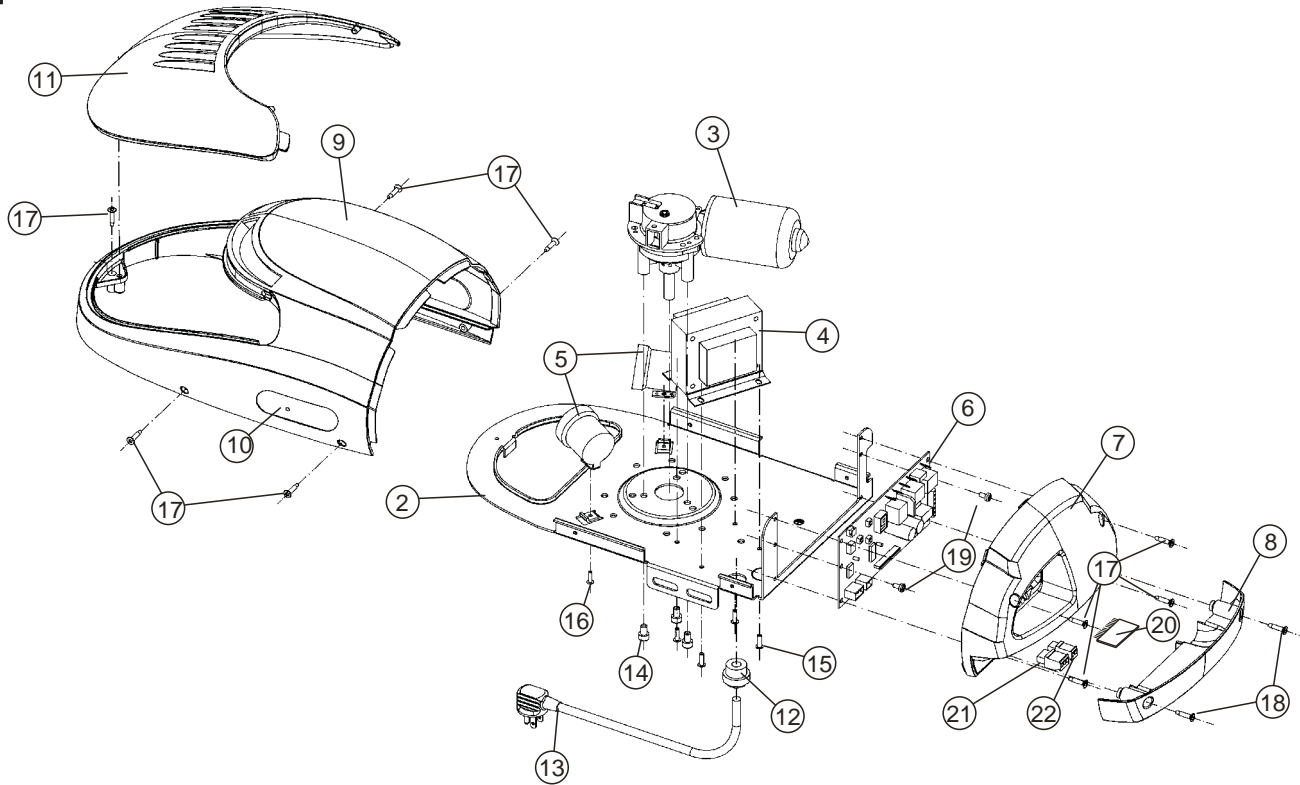
 **WARNING** Opening Cover May Cause Electric Shock

Circuit Diagram



## POWER HEAD ASSEMBLY EXPLODED VIEW

[1]



## POWER HEAD ASSEMBLY PARTS LIST

Item	Part Name
1	Power Head Assembly
2	Top Plate
3	Motor Assembly
4	Transformer Assembly
5	Light Socket Assembly
6	Control Board Assembly
7	Panel Cover
8	Terminal Cover
9	Main Cover
10	Sticker
11	Lens
12	Strain Relief
13	Cord & Plug Assembly
14	Screw, M6 x 10
15	Rivet, 4 x 9.5
16	Rivet, 3.2 x 8.0
17	Screw, M4 x 16
18	Screw, B4.2 x 16
19	Screw, M4 x 8
20	Dual Receiver 315/390
21	3 Pin Plug Connector
22	2 Pin Plug Connector

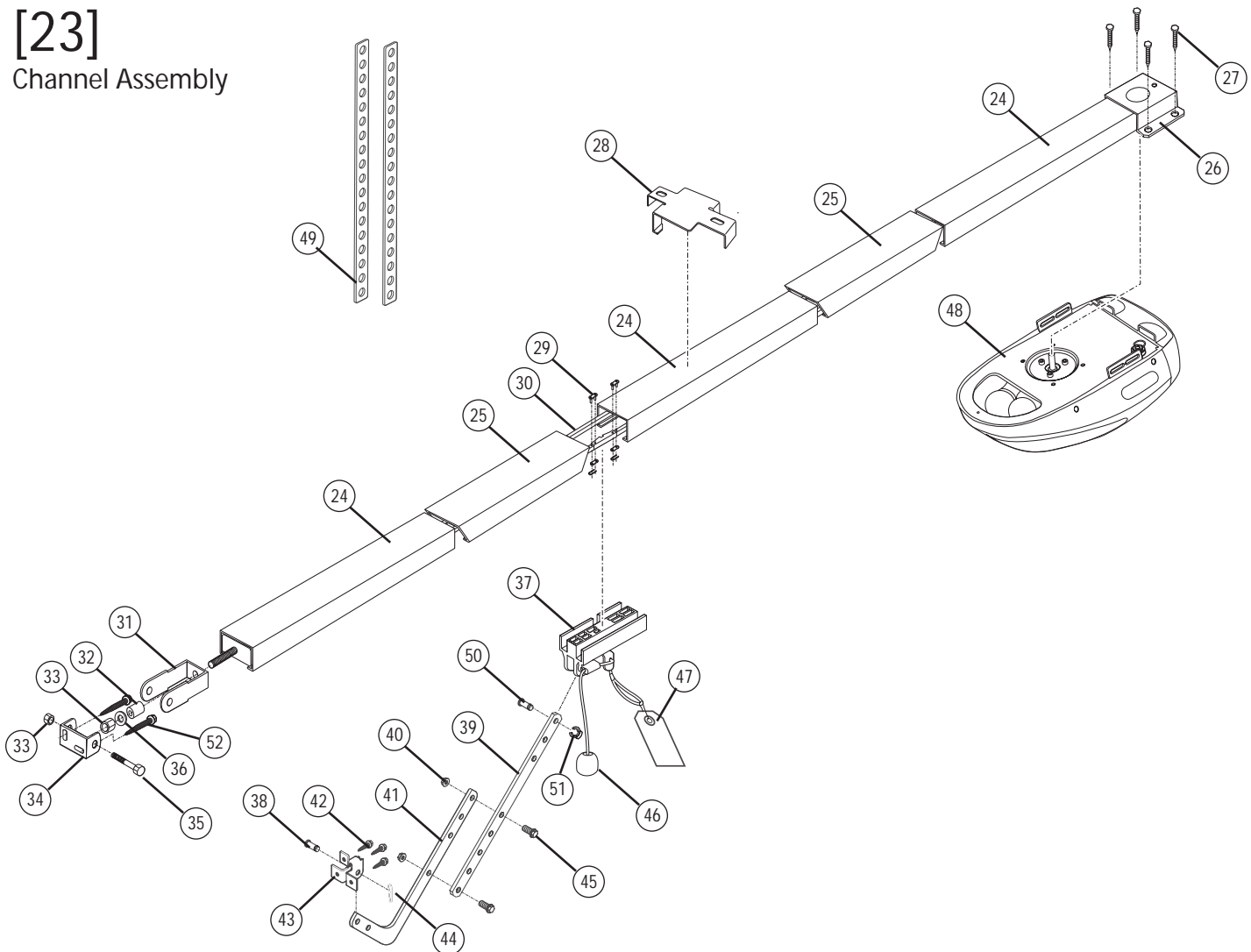
# 4040 HARDWARE EXPLODED VIEW

## NOTE

Opener will not function unless Safe-T-Beam® System is installed and Force Controls are **properly** set.

### [23]

#### Channel Assembly



### PARTS LIST

Item	Part Name	Qty
23	Channel Assy	1
24	Channel Section	3
25	Connector	2
26	Sprocket Assy	1
27	Sheet Metal Screw	4
28	Middle Bracket	1
29	Link, Complete	2
30	Belt, Toothed, Assy	1
31	End Bracket	1
32	Rubber Block	1
33	Hex Nut, 5/16"	2
34	Header Bracket	1
35	Bolt, 5/16" x 3"	1
36	Washer, A8	1
37	Carriage Assy	1

### PARTS LIST








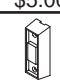

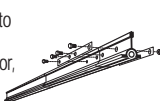

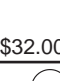
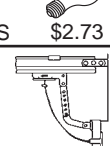
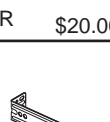
Item	Part Name	Qty
38	Cotter Pin, 3/8" x 15/16"	1
39	Straight Door Arm	1
40	Nut, 3/8"	2
41	Curved Door Arm	1
42	Self-Drilling Screw, 1/4"-20 x 3/4"	3
43	Door Bracket	1
44	Cotter Pin, .073" Dia.	1
45	Bolt, 3/8" x 7/8"	2
46	Emergency Release Knob & Cord	1
47	Emergency Release Tag	1
48	Power Head Assy	1
49	Mounting Straps	2
50	Clevis Pin	1
51	"e" Clip	1
52	Lag Screws	2
53	Staples	approx. 30

**Garage Door Opener Accessories Order Form**  
**Formulario de pedido de accesorios para abridores de puertas de garaje**  
**Formulaire de commande des accessoires pour ouvre-porte de garage**

For additional accessories not shown, visit our website at [www.overheaddoor.com](http://www.overheaddoor.com)  
 Para accesorios adicionales no mostrados, visite nuestro sitio web en [www.overheaddoor.com](http://www.overheaddoor.com)  
 pour les accessoires supplémentaires pas montrés, visitez notre site web à [www.overheaddoor.com](http://www.overheaddoor.com)



How many?  
 ¿Cuántos?  
 Comment  
 beaucoup?

<p><b>(OCD CTD-1) 1-Button Compact Remote</b> - Allows remote operation of garage door.                      Comprima el Mando de Distancia - Proporcionar operación remoto de la puerta del garaje.                      Télécommande compacte - Permettre opération éloigné de porte de garage.</p>		P/N 35664R \$36.50
<p><b>(OCD CTD-3) 3-Button Compact Remote</b> - Allows remote operation of 3 garage doors.                      De 3 botones Comprima el Mando de Distancia - Proporcionar operación remoto de tres las puertas del garaje.                      3-boutonner la Télécommande compacte - Permettre opération éloigné trois portes de garage.</p>		P/N 35664S \$50.00
<p><b>(OCD F TD-1) 1-Button Flashlight Transmitter</b> - Remote Controller with a Flashlight.                      1 abrocha transmisor de linterna - Director remoto con una linterna.                      1-boutonner l'émetteur de lampe de poche - Le contrôleur éloigné avec de lampe de poche.</p>		P/N 35665R \$45.00
<p><b>(OWC-2W) Deluxe Wall Console</b> - Operates Garage Door. Independent light control. Security vacation lock.                      Consola de lujo de pared - Acciona la puerta del garaje. Control de luz independiente. Cerradura de seguridad para vacaciones.                      La Console de luxe de Mur - Actionne la porte de garage. Commande d'éclairage indépendante. Interrupteur de verrouillage de sécurité.</p>		P/N 35669R \$35.00
<p><b>(OMSWC-2W) Multi-function Wall Console with Motion Sensor</b> - Automatically turns on garage light when you need it.                      La Consola de la pared de la multi-función con Promueve Sensor - Automáticamente vuelvas en la luz de garaje cuando usted lo necesita.                      La Console Multifonctions de Mur avec Fait signe le Détecteur - Allume automatiquement la lumière de garage quand vous avez besoin de lui.</p>		P/N 35746R \$39.00
<p><b>(OWKPD) Dual Frequency Wireless Keypad</b> - Operates CodeDodger® Garage Door Openers without Remote Control or key.                      La frecuencia doble teclado numérico radiofónico - Acciona los abridores de puertas de garaje CodeDodger® sin control remoto o llave.                      Frequency double le clavier numérique sans fil - Actionne les ouvre-porte de garage avec CodeDodger® sans télécommande ni clé.</p>		P/N 35668R \$50.00
<p><b>(GLU-3) 3/4 oz. Tubes Screw Drive Lubricant</b> - Ensures proper equipment wear protection.                      3/4 ounce Lubricante de tornillo accionar - Asegura componente correcto protección por deterioro.                      La onza 3/4 Lubricante de la vis - Garantir component exact par système défense vers user.</p>		P/N 35164R \$5.00
<p><b>(OWB2) Universal Wall Button</b> - Provides additional convenient inside operation of door.                      Botón de pared universal - Proporciona operación conveniente de la puerta desde el interior.                      Bouton mural universel - Actionne l'ouvre-porte de l'intérieur du garage.</p>		P/N 35670R \$3.75
<p><b>(GPS-5) Perfect Stop®</b> - Ensures perfect parking.                      Stop Perfecto® - Asegura el estacionamiento perfecto.                      Butoir Perfect Stop® - Permet de stationner à la perfection dans le garage.</p>		P/N 34964R \$4.00
<p><b>(OSXL8) PowerMax Screw Drive Extension Kit</b> - An Extension that increases the travel of the Opener to accommodate an eight foot door.                      El extensión deslizante de PowerMax Screw Drive - Una extensión para aumentar la carrera de un abridor, para acomodar una puerta de 8 pies (2,43 m).                      Nécessaire de rallonge du PowerMax Screw Drive - Rallonge de prolongeant la course de l'ouvre-porte pour une porte de 2,4 m (8 pi) de hauteur.</p>		P/N 35671R \$32.00
<p><b>(OD8X) SilentLift Extension Kit</b> - An Extension that increases the travel of the Opener to accommodate an eight foot door.                      Juego de extensión de cadena deslizante - Una extensión para aumentar la longitud de la baranda para acomodar una puerta de 8 pies (2,43 m).                      Nécessaire de prolongement du coulisseau - Rallonge de prolongeant la course de l'ouvre-porte pour une porte de 2,4 m (8 pi) de hauteur.</p>		P/N 35672R \$32.00
<p><b>(60 WATT) Enhanced/Rough Service Light Bulb</b> - Ensures proper equipment compatibility.                      Bombilla de 60 Vatios - Asegura componente correcto de sistema.                      Éclairage de 60 WATT - Garantir component exact par système.</p>		P/N 26210A.S \$2.73
<p><b>(GER-2) Emergency Release Kit</b> - Provides access to garage from outside in the event of an electrical power failure.                      Juego de pica-porte de pestillo - Permitir entrada desde por fuera de garaje porque corte de eléctrico.                      Nécessaires de Déclenchement de secours - Le nécessaire de déclenchement de secours est conçu pour vous permettre d'accéder à votre garage depuis l'extérieur en cas de panne de courant et lorsqu'il.</p>		P/N 34963R \$20.00
<p><b>STB Adapter Brackets (2)</b> - Used in conjunction with standard STB Brackets. They provide additional clearance and mounting options.                      El adaptador pone entre paréntesis (2) - Usado en unión con paréntesis uniformes de montar de STB, ellos proporcionan el espacio libre adicional junto con montar las opciones.                      Crochets d'adaptateur (2) - Utilisé conjointement avec STB standard monter les crochets, ils fournissent le dégagement supplémentaire avec monter d'options.</p>		P/N 34439R.S \$4.37

## Ordering Instructions

No C.O.D. shipments. Please include check or money order, made payable to The Overhead Door Corp. Do not send cash. Allow 3-4 weeks for delivery. 1-800-354-3643. Please have part number and credit card ready. Mail Order Form to: Operator Division, 22790 Lake Park Blvd, Alliance, Ohio 44601. We accept Visa or Mastercard on phone orders only.

Please add local sales tax if you reside in one of the states listed.  
 California, Connecticut, Florida, Georgia, Illinois, Indiana, Maryland, Massachusetts, Michigan, New Jersey, New York, Ohio, Tennessee, Virginia, Wisconsin

TOTAL ORDER	\$
SHIPPING & HANDLING	\$ 5.00
STATE SALES TAX	\$
GRAND TOTAL	\$

## Las Instrucciones que Ordenan

No se aceptan pedidos de pago contra entrega (COD). Sírvase incluir su cheque o giro postal, la cuenta pagadera hecha a The Overhead Door Corp. No envíe dinero en efectivo. Concédanos 3 a 4 semanas para la entrega. 1-800-354-3643. Sírvase tener listos los números del modelo y de la tarjeta de crédito. Enviar hacer un pedido de mercancía a: Operator Division, 22790 Lake Park Blvd, Alliance, Ohio 4460. Aceptamos pedidos telefónicos de Visa o Mastercard.

Sírvase agregar el impuesto de ventas local si usted reside en uno de los siguientes estados:

California, Connecticut, Florida, Georgia, Illinois, Indiana, Maryland, Massachusetts, Michigan, New Jersey, New York, Ohio, Tennessee, Virginia, Wisconsin

TOTAL DEL PEDIDO	\$
FLETE Y MANEJO	\$ 5.00
IMPUESTO DE VENTAS ESTATAL	\$
GRAN TOTAL	\$

## Instructions Commandant

Pas d'expédition contre remboursement. Veuillez inclure un chèque ou un mandat bancaire, le payable fait à The Overhead Door Corp. N'envoyez pas d'argent comptant. Accordez de 3 à 4 semaines pour la livraison. 1-800-354-3643. Ayez sous la main le numéro de la pièce et celui de la carte de crédit. Mettre à la poste le arragement à: Operator Division, 22790 Lake Park Blvd, Alliance, Ohio 44601. Nous acceptons les commandes par téléphone avec paiement par carte de crédit Visa ou Mastercard.

Veuillez indiquer les taxes de vente locales si vous résidez dans l'un des états répertoriés ci-dessous.

California, Connecticut, Florida, Georgia, Illinois, Indiana, Maryland, Massachusetts, Michigan, New Jersey, New York, Ohio, Tennessee, Virginia, Wisconsin

COMMANDE TOTALE	\$
MANUTENTION ET EXPÉDITION	\$ 5.00
TAXE DE VENTE	\$
TOTAL GLOBAL	\$

**SHIP ORDER TO:**  
**ENVIAR MERCANCIA CON:**  
**EXPÉDIER MARCHANDISE POUR:**

NAME / NOMBRE / NOM	_____
ADDRESS / DIRECCIÓN / ADRESSE	_____
CITY / CIUDAD / VILLE	_____
STATE / ESTADO / ÉTAT	_____
ZIP / CÓDIGO POSTAL / CODE POSTAL	_____

(Prices subject to change without notice)  
 (Valoran el cambio con sujeción a sin nota)  
 (Les prix assujettissent pour changer sans la notification)

## Manual de Funcionamiento y Mantenimiento

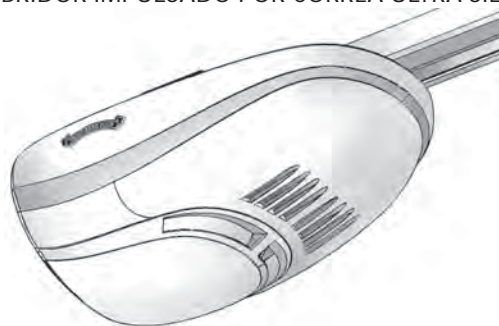
## Guide de l'Utilisateur et de Maintenance

The Genuine. The Original.



### 4040

OUVRE-PORTE DE GARAGE ULTRA SILENCIEUX  
ABRIDOR IMPULSADO POR CORREA ULTRA SILENCIOSO



### COMPLETO CON ELECTRÓNICA SERIE II CONTROL REMOTO CODEDODGER®

Pour des portes jusqu'au 8 pi (inclus).

Se incluye la consola de pared la cual DEBE instalarse antes de poner en funcionamiento el abrepuertas del garaje.

El sistema de reversa de seguridad Safe-T-Beam® DEBE instalarse, así mismo los controles de la fuerza DEBEN ajustarse adecuadamente para poder cerrar la puerta.

Este equipo cumple o excede todos los requerimientos de seguridad federales, estatales, incluyendo el estándar UL 325 de los Laboratorios Underwriters Inc. ( UL por sus siglas en inglés).

### ¿Tiene dificultades con nuestro equipo? ¿Necesita ayuda?

Por favor llámenos sin costo al: 1-800-784-5028 o visite nuestra página web: [www.overheaddoor.com](http://www.overheaddoor.com)

Por favor tenga a la mano la información del modelo cuando nos llame.

### ÍNDICE

Garantía .....	2
Su paquete de documentación.....	3
Características de Seguridad .....	4
De la Lista de Verificación de la Instalación pre.....	5-8
Ajustes .....	9-13
Mantenimiento .....	13
Guía de investigación de averías.....	14
Información de Seguridad .....	15
El Esquema que Alambra .....	17
La Guía de Localización de Fallas.....	18-19
Accesorios.....	20

**CONSERVE ESTE MANUAL PARA  
FUTURAS REFERENCIAS**

### AVEC TÉLÉCOMMANDE CODEDODGER® ET COMPOSANTS ÉLECTRONIQUES DE LA SÉRIE II

Para puertas incluyendo hasta las de 8' de altura.

La consola murale incluye DOIT être installée avant de faire fonctionner cet ouvre-porte de garage.

Le système d'inversion de sécurité Safe-T-Beam® doit être installé et les commandes de force correctement réglées pour pouvoir fermer la porte.

Cet équipement satisfait voire dépasse les prescriptions de sécurité fédérale, régionale et UL 325.

### Vous éprouvez des difficultés? Vous avez besoin d'assistance?

Contactez-nous: 1-800-784-5028 ou  
[www.overheaddoor.com](http://www.overheaddoor.com)

Nous vous remercions de tenir à disposition les informations de votre modèle au moment de l'appel.

### TABLE DES MATIÈRES

Garantie .....	2
Votre packet de documentation.....	3
Caractéristiques de Sécurité.....	4
Pre-la Liste de Vérification d'Installation .....	5-8
Ajustements.....	9-13
Entretien .....	13
Guide de dépannage .....	14
Caractéristiques de Sécurité.....	15
Schéma de Connexion .....	17
Guide de Dépannage.....	18-19
Accessoires.....	20

**PLACER CE GUIDE DANS UN ENDROIT SÛR  
POUR TOUTE RÉFÉRENCE ULTÉRIERE**

## THE OVERHEAD DOOR CORPORATION GARANTÍA LIMITADA

### ¿Qué es lo que cubre?

Cualquier defecto de materiales y mano de obra del producto de uso personal, normal del hogar de acuerdo con el Manual del propietario.

### ¿Por cuánto tiempo?

MODELO 4040L...De por vida\* para el motor, 5 años para las otras piezas.

\* De por vida = Mientras usted sea el dueño de su casa.

### ¿Quién obtiene la garantía?

Esta garantía está limitada al consumidor que compró originalmente el producto.

### Alcance geográfico:

Esta garantía se aplica sólo a las unidades instaladas y que funcionen en el país donde fueron compradas.

### Limitaciones:

LAS GARANTÍAS IMPLÍCITAS, INCLUYENDO AQUELLAS DE CONVENIENCIA PARA UN PROPOSITO PARTICULAR Y COMERCIABILIDAD (GARANTÍA NO ESCRITA DE QUE EL PRODUCTO ES CONVENIENTE PARA USO ORDINARIO), ESTÁN LIMITADAS A UN AÑO A PARTIR DE LA FECHA DE COMPRA. OVERHEAD DOOR NO PAGARÁ POR PERDIDA DE TIEMPO, INCONVENIENCIA, PERDIDA DEL USO DE SU PRODUCTO OVERHEAD DOOR O POR DAÑOS A LA PROPIEDAD CAUSADOS POR SU PRODUCTO OVERHEAD DOOR O POR LA FALLA DE QUE TRABAJE, POR NINGUNO DE LOS DAÑOS ESPECIALES, INCIDENTALES O DAÑOS EMERGENTES, O POR DAÑOS CUALESQUIERA RESULTANTES DEL MAL USO O MODIFICACION DE SU PRODUCTO OVERHEAD DOOR.

Algunos estados y provincias no permiten limitaciones de cuánto tiempo dura una garantía implícita o la exclusión de daños incidentales o emergentes, por lo tanto, las limitaciones o exclusiones de arriba puede que no se apliquen a usted.

Esta garantía es la única garantía que daremos de su producto Overhead Door, y establece todas nuestras responsabilidades en relación con su producto Overhead Door. No hay otras garantías expresas.

Derechos en el estado y provincia: Esta garantía le otorga derechos legales específicos, y puede que usted tenga otros derechos que pueden variar de un estado a otro o de una provincia a otra.

### Cómo obtener el servicio de garantía:

Para obtener el servicio de garantía para su producto Overhead Door, usted debe proporcionar un comprobante con la fecha y lugar de compra del producto.

#### 1. Servicio de bricolaje (hacer uno mismo)

Llame gratis a la conexión del Consumidor Overhead Door al: 1.800.784.5028 para hablar personalmente con representante de Overhead Door para obtener asistencia en diagnosticar el problema y disponer el suministro de las piezas necesarias para las reparaciones que hará usted mismo. Representantes capacitados en servicio están disponibles de lunes a viernes de 8:00 a.m. - a - 11:00 p.m., hora del Este, y los sábados de 10:00 a.m. a 8:00 p.m., hora del Este (excepto los feriados). También, puede obtener la información que necesite de: [www.geniecompany.com](http://www.geniecompany.com).

#### 2. Servicio de agentes autorizados.

También usted puede obtener garantía de servicio de los agentes autorizados de Overhead Door llamando a la conexión del Consumidor de Overhead Door al 1.800.784.5028 o visitando: HYPERLINK "http://www.geniecompany.com" [www.geniecompany.com](http://www.geniecompany.com) antes de programar algún servicio de garantía. Si un agente autorizado provee servicio de garantía, Overhead Door proveerá todas las piezas necesarias bajo la garantía, sin cargo para usted, pero los agentes son personas de negocios independientes y puede que presten servicios o cobren por las visitas de servicio que hagan. Overhead Door no le reembolsará a usted ni será responsable de otro modo por esos cargos.

Sugerimos que usted retenga el material de empaquetado original para el evento que necesite reparar o reemplazar su producto Overhead Door y sea necesario que nos envíe el mismo. Asegúrese de incluir su nombre, dirección, número de teléfono, comprobante con la fecha y lugar de compra y una descripción del problema de funcionamiento. Después de reparar o reemplazar su producto Overhead Door, nosotros le enviaremos a su casa, sin costo para usted por las piezas y mano de obra, pero usted deberá pagar un mínimo de \$5.00 por cargos de envío y manejo.

Su selección de una de las opciones de servicio descritas arriba, es su solución exclusiva bajo esta garantía.

### Qué no cubre esta garantía:

Esta garantía no cubre las baterías (que se consideran piezas reemplazables), instalación, uso comercial, defectos resultantes de accidentes, daños estando en tránsito a nuestro lugar de servicio o daños resultantes de alteraciones, mal uso o abuso, falta de mantenimiento correcto, reparaciones no autorizadas o modificación del producto, adosados de cualquier adjunto no proporcionado con el producto, programación de los dispositivos de control remoto, ajuste / limpieza de Safe-T-Beam ®, grapas a través del cableado, cables pinchados o rotos, desenganche del corredizo, ajustes del control de fuerza, puerta no equilibrada, resortes o cables rotos, apagones eléctricos, uso de cordones de extensión, piezas faltantes o dañadas en descuentos, liquidaciones, ventas finales o cartones con cintas, operaciones fantasma (la mano de obra no está cubierta si el Abridor está funcionando correctamente estando el técnico en el garaje), incendios, inundaciones, actos de fuerza mayor o cualquier otro incumplimiento de seguir el Manual del propietario.

PARA RESPUESTAS: LLAME AL 1.800.784.5028

Visite nuestro Website en: [www.overheaddoor.com](http://www.overheaddoor.com)

GUARDE ESTAS INSTRUCCIONES

Por favor note la información siguiente, de modo que tenga disponible si necesita llamarnos.

Fecha de compra	_____ / _____ / _____
Número de serie	_____
Modelo del operador	_____
Modelo del control remoto	_____
Nombre del agente	_____
Dirección del agente	_____
Ciudad	_____
Estado	_____
2 Zona postal	_____

## GARANTIE LIMITÉE DE THE GENIE COMPANY

### Que couvre la garantie couvre?

Tout défaut en matériaux et main-d'œuvre du produit dans une utilisation normale en résidence conformément au Guide de l'utilisateur.

### Pendant combien de temps?

Modèle 4040L A vie\* pour le moteur, 5 ans pour toutes les autres pièces.

\* A vie = Aussi longtemps que vous êtes propriétaire des lieux.

### Qui peut bénéficier de la garantie?

La présente garantie est limitée au consommateur d'origine qui a acheté le produit.

### Zone géographique :

La présente garantie ne couvre que les produits qui ont été installés et sont utilisés dans le pays où ils ont été achetés.

### Limites:

LES GARANTIES IMPLÍCITAS, Y COMPRIS CELLE RELATIVES À L'ADAPTABILITÉ À DES FINS D'APPLICATION PARTICULIÈRE ET DE QUALITÉ MARCHANDE (UNE GARANTIE QUI NE SERAIT PAS PAR ÉCRIT INDICANT QUE LE PRODUIT EST CONÇU POUR UN USAGE ORDINAIRE) SONT LIMITÉES À UN AN À COMPTER DE LA DATE D'ACHAT. OVERHEAD DOOR NE REMBOURSE PAS LES FRAIS DE PERTE DE TEMPS, LES INCONVENIENTS, DE PERTE D'USAGE DE VOTRE PRODUIT OVERHEAD DOOR OU TOUT DOMMAGE SUBI PAR VOTRE PROPRIÉTÉ RÉSULTANT DU PRODUIT OVERHEAD DOOR OU DE SON DYSFONCTIONNEMENT, TOUT DOMMAGE INDIRECT OU ACCESSOIRE ; TOUT DOMMAGE RÉSULTANT D'UNE UTILISATION ERRONÉE OU MODIFICATION DE VOTRE PRODUIT OVERHEAD DOOR.

Certains états et provinces interdisent l'exclusion de la limitation des dommages indirects ou accessoires, ou de durée des garanties implicites ; il se peut donc que certaines des restrictions et exclusions ci-dessus ne vous concernent pas.

Cette garantie est la seule que nous accordions à votre produit Overhead Door, elle définit toutes nos responsabilités vis à vis de votre produit Overhead Door. Il n'existe aucune autre garantie expresse.

Droits des Etats et des Provinces: La présente garantie vous confère des droits spécifiques légaux mais vous pouvez en outre bénéficier de droits supplémentaires qui varient d'une province à l'autre ou d'un état à l'autre.

### Comment obtenir un service sous garantie:

Pour obtenir le service sous garantie pour votre produit Overhead Door, vous devez fournir la preuve de la date et du lieu d'achat du produit.

#### 1. Service de réparation personnelle.

Contactez la connexion clientèle Overhead Door au numéro gratuit 1.800.784.5028. Des représentants Overhead Door qualifiés vous assisteront à diagnostiquer le problème et se chargeront de vous faire parvenir la pièce requise qui vous permettront d'effectuer vous-même la réparation. Des techniciens formés se tiennent à votre disposition du lundi au vendredi de 8h00 à 23h00 (Heure de New York) et le Samedi de 10h00 à 20h00 (heure de New York) (sauf jours fériés). Vous pouvez également obtenir des informations en visitant le site à l'adresse suivante: [www.geniecompany.com](http://www.geniecompany.com).

#### 2. Service assuré par des revendeurs agréés.

Vous pouvez également obtenir un service sous garantie auprès des revendeurs Overhead Door agréés en contactant la connexion clientèle de Overhead Door au 1.800.784.5028 ou en visitant [www.geniecompany.com](http://www.geniecompany.com) avant de programmer un service sous garantie. Si le service sous garantie est exécuté par un revendeur agréé, Overhead Door se charge de fournir toutes les pièces requises sous garantie sans frais de votre part. Toutefois les revendeurs sont des agents indépendants qui peuvent effectuer les réparations contre remboursement. Overhead Door ne peut en aucun cas être responsable de ces frais ou de toute autre charge facturés par ces revendeurs.

Nous vous recommandons de conserver l'emballage d'origine au cas où nous déciderions de faire réparer/remplacer votre produit Overhead Door et que nous vous demandions de nous le renvoyer. Indiquez bien votre nom, adresse, numéro de téléphone, la preuve de la date et du lieu d'achat du produit avec la description du problème. Après réparation ou remplacement de votre produit Overhead Door, nous vous expédierons à domicile et sans frais de votre part pour les pièces et la main-d'œuvre, mais vous devez régler un minimum de 5 00 dollars USD pour les frais d'expédition et de manutention.

Le choix de l'une des options de service décrites ci-dessus est votre seule solution selon les termes de cette garantie.

### Éléments non couverts par cette garantie:

La présente garantie ne couvre pas les piles (qui sont des pièces remplaçables), l'installation, l'usage commercial, les dommages résultant d'accidents, les dommages subis pendant le transport à notre emplacement de service ou résultant d'altérations, de mauvaise utilisation voire d'abus, de manque d'entretien, de réparation ou de modification du produit non-autorisée, d'ajout de pièces qui ne seraient pas fournies avec le produit, programmation de télécommandes, réglage et nettoyage de Safe-T-Beam®, fils endommagés par les agrafes, fils pincés ou rompus, chariot désengagé, ajustements de la commande de la puissance, portes déséquilibrées, ressorts et câbles brisés, coupure de courant, utilisation de rallonges, pièces manquantes ou endommagées dans des emballages d'unités en solde ou refermés par du scotch, mauvais fonctionnement imaginaire (les frais de main-d'œuvre ne sont pas couverts si l'ouvre-porte fonctionne correctement pendant que le technicien se trouve dans le garage), incendie, inondation, cas fortuit, ou négligence de consulter le manuel d'utilisateur.

ADRESSEZ VOS QUESTIONS AU 1.800.784.5028

CONSERVER CES INSTRUCTIONS

Prendre note des informations suivantes afin de les avoir à disposition lorsque vous nous contactez:

Date d'achat	_____ / _____ / _____
Numéros de série	_____
Modèle de l'opérateur	_____
Modèle de la télécommande	_____
Nom du revendeur	_____
Adresse du revendeur	_____
Ville	_____
Etat/Province	_____
Code postal	_____

For Help, call 1-800-784-5028 or visit [www.overheaddoor.com](http://www.overheaddoor.com)

## PAQUETE DE SU DOCUMENTACIÓN DEL ABRIDOR DE PUERTAS DE GARAJE GENIE

La documentación proporcionada con su abridor ha sido organizada y diseñada cuidadosamente para que el montaje, funcionamiento y mantenimiento continuo de su producto sean tan fáciles como sea posible. Este material consiste de dos partes principales:

### Manual de funcionamiento y mantenimiento

Si bien se recomienda que todos los documentos se guarden para referencia futura, este manual debe contener la mayoría de la información que necesitará durante la vida útil de su producto. El manual está diseñado en una configuración basculante, con la versión en inglés en una mitad del libro y la de lengua española / francesa en la otra mitad. El contenido básico de este manuales:

- Información de garantía
- Lista de verificación de preinstalación a ser revisada antes de cualquier montaje o instalación
- Ajustes necesarios
- Programación de dispositivos remotos
- Mantenimiento e investigación de averías
- Vista aumentada de piezas
- Formulario de pedido de accesorios
- Folleto de mantenimiento y seguridad de la Asociación de abridores de puertas (DASMA)
- Etiqueta de Advertencia de atrapar – A ser puesta próxima al control de pared

### Afiche de montaje e instalación

El propósito de este afiche es dar un medio plano conveniente a usar en el sitio del montaje e instalación. Códigos de color se utilizan para los pasos y otra información tan claramente como sea posible. Este afiche está en tres lenguas con las instrucciones en inglés destacadas con fondo azul. El contenido básico de este afiche es:

- Afiche de referencia rápida
- Instrucciones de montaje del abridor con figura y paso a paso
- Instrucciones de instalación del abridor con figura y paso a paso

**ES CRÍTICO QUE SE LEAN, ENTIENDAN Y SIGAN TODAS LAS ADVERTENCIAS DE SEGURIDAD CLARAMENTE MARCADAS, TANTO EN EL MANUAL COMO EN EL AFICHE.**

The Overhead Door Corporation se esfuerza constantemente en mejorar sus productos y la documentación que les acompaña. Si usted tuviera alguna sugerencia o idea para mejorar este producto o la documentación, por favor envíe sus sugerencia a:

**Overhead Door Corporation**  
22790 Lake Park Blvd.  
Alliance, Ohio 44601-3498

DASMA en langue anglaise.  
Lengua española / francesa DASMA.

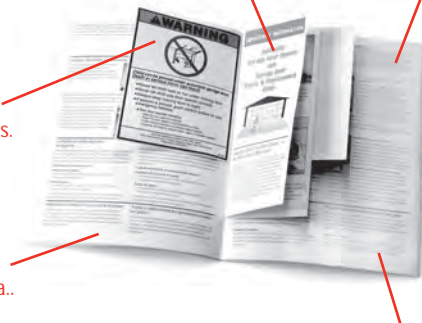
Versión en lengua inglesa.  
Versión en lengua española / francesa.

Tres lenguas Etiqueta de atrapar.

Étiquette d'avertissement de coincage en trois langues.

Versión en lengua inglesa..  
Version anglaise.

Versión en lengua española / francesa..  
Version espagnole/Version française.



## VOTRE DOSSIER DE DOCUMENTATION DE L'OUVRE-PORTE DE GARAGE GENIE

La documentation fournie avec votre ouvre-porte de garage a été soigneusement conçue et organisée pour faciliter le montage, l'utilisation et la maintenance de votre produit dans des conditions les plus sécuritaires possibles. Ce dossier se compose de deux parties essentielles.

### Guide de l'utilisateur et de maintenance

Bien qu'il soit recommandé que tous les documents soient conservés à titre de référence ultérieure, ce guide contient la majorité des informations dont vous aurez besoin pendant la vie utile de votre produit. Ce guide a été conçu avec la version anglaise d'un côté et de l'autre, les versions espagnole/française. Ce guide contient les éléments de base suivants:

- Information relative à la garantie
- Liste de contrôle avant l'installation à vérifier avant tout montage ou installation
- Réglages nécessaires
- Programmation des télécommandes
- Maintenance et dépannage
- Vues éclatées des pièces
- Formulaire pour commande d'accessoires
- Brochure de l'association des ouvre-portes sur la sécurité et la maintenance (DASMA)
- Étiquette d'avertissement en cas de coincage – À placer près de la commande murale

### Poster sur le montage et l'installation

Ce poster permet de visualiser un plan plat pratique du montage et de l'installation. Le codage en couleurs utilisé pour démarquer clairement les étapes et autres informations. Ce poster est présenté en trois langues avec des instructions en anglais en relief sur fond bleu. Le contenu de base de ce poster est le suivant :

- Poster de référence rapide
- Instructions du montage de l'ouvre-porte graduelles avec illustrations
- Instructions de l'installation de l'ouvre-porte graduelles avec illustrations

**IL EST IMPÉRATIF QUE LES AVERTISSEMENTS RELATIFS À LA SÉCURITÉ CLAIEMENT INDIQUÉS DANS LE GUIDE ET SUR LE POSTER SOIENT LUS, COMPRIS ET RESPECTÉS.**

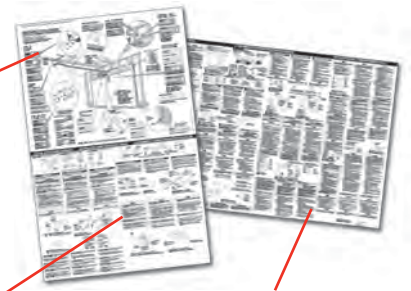
La Overhead Door Corporation s'efforce systématiquement d'améliorer ses produits et la documentation qui les accompagne. Nous vous remercions de nous faire part de vos suggestions ou idées visant à améliorer davantage ce produit et sa documentation. Veuillez les envoyer à l'adresse suivante:

**Overhead Door Corporation**  
22790 Lake Park Blvd.  
Alliance, Ohio 44601-3498

Diagrama de referencia rápida.  
Diagramme de référence rapide.

Conjunto del abridor.  
Montage de l'ouvre-porte.

Instalación del abridor.  
Installation de l'ouvre-porte.



## INFORMACIÓN DE SEGURIDAD

### PERSPECTIVA DE PELIGROS POTENCIALES

Las puertas de garaje son objetos grandes, pesados que se mueven con la ayuda de resortes bajo alta tensión y motores eléctricos. Puesto que los objetos en movimiento, resortes bajo tensión y motores eléctricos pueden causar lesiones, su seguridad y seguridad de otros depende de que usted lea la información contenida en este manual. Si tuviera alguna pregunta o no entendiera la información presentada, llame al representante de servicio más cercano a usted.




En esta sección y las que siguen, las palabras **Peligro**, **Advertencia** y **Precaución** se usan para enfatizar la información de seguridad importante. La palabra:

**PELIGRO:** indica una situación de peligro inminente que, si no se evita, resultará en la muerte o lesión grave.


**ADVERTENCIA:** indica una situación de peligro potencial que, si no se evita, podría resultar en la muerte o lesión grave.

**PRECAUCIÓN:** indica una situación de peligro potencial, que si no se evita, puede resultar en lesión o daños a la propiedad.

La NOTA de la palabra se utiliza para indicar los pasos importantes para ser seguidos o información importante.

RIESGOS POTENCIALES	EFFECTOS	PREVENCIÓN DE EFFECTOS
 <b>PUERTA EN MOVIMIENTO</b>	<b>ADVERTENCIA:</b> Podría resultar en la muerte o lesión grave	<ul style="list-style-type: none"> <li>Mantenga a la gente alejada de la puerta en movimiento.</li> <li>No deje que los niños jueguen con el abridor de puertas.</li> <li>No haga funcionar una puerta que se trabo o tenga un resorte roto.</li> </ul>
 <b>CHOQUE ELÉCTRICO</b>	<b>ADVERTENCIA:</b> Podría resultar en la muerte o lesión grave	<ul style="list-style-type: none"> <li>Apaque la alimentación eléctrica antes de quitar la tapa del operador.</li> <li>Al reinstalar la tapa, asegúrese de que los alambres no se pinchen o estén cerca de piezas móviles.</li> <li>El operador se debe conectar a tierra correctamente.</li> </ul>
 <b>ALTA TENSION del RESORTE</b>	<b>ADVERTENCIA:</b> Podría resultar en la muerte o lesión grave	<ul style="list-style-type: none"> <li>No intente quitar, reparar o ajustar los resortes cualquiera de los componentes a los que está sujeto el resorte de la puerta, incluyendo trozos de madera, soportes de acero, cables o algunos otros componentes similares.</li> <li>Las reparaciones y ajustes deben hacerse solamente por personal de servicio capacitado que use las herramientas adecuadas y siga las instrucciones correctas.</li> </ul>

### INSTRUCCIONES IMPORTANTES DE INSTALACIÓN

 <b>ADVERTENCIA</b>	
<b>PARA REDUCIR EL RIESGO DE DAÑOS GRAVES O INCLUSO LA MUERTE:</b>	
<b>1</b>	LEA Y SIGA TODAS LAS INSTRUCCIONES DE SEGURIDAD, OPERACIÓN E INSTALACIÓN. SI TIENE ALGUNA PREGUNTA O NO ENTIENDE UNA INSTRUCCIÓN, LLAME A SERVICIO AL CLIENTE SIN COSTO AL 1-800-784-5028.
<b>2</b>	No instale el abrepuertas en una puerta desbalanceada. Una puerta desbalanceada puede causar daños graves. Las reparaciones y ajustes a los cables, a los ensambles de resortes, y otras partes componentes del equipo deben hacerse por personal capacitado que use las herramientas adecuadas y siga las instrucciones correctas.
<b>3</b>	Quite todas las manijas y las cuerdas, inhabilite todas las cerraduras conectadas a la puerta antes de instalar el abrepuertas.
<b>4</b>	Instale el abrepuertas cuando menos 7' por encima del piso. Instale la manija de liberación de emergencia 6' por encima del piso.
<b>5</b>	No conecte el abrepuertas a la corriente eléctrica hasta que se le indique.
<b>6</b>	Instale la consola de pared: <ul style="list-style-type: none"> <li>A la vista de la puerta del garaje.</li> <li>A una altura mínima de 5' de manera que los niños pequeños no puedan alcanzarla.</li> <li>Lejos de todas las partes en movimiento de la puerta del garaje.</li> </ul>
<b>7</b>	Instale la etiqueta de ADVERTENCIA de Atrapado cerca de la consola de pared. Instale la etiqueta de emergencia en la palanca de liberación de emergencia.
<b>8</b>	El abrepuertas debe ser capaz de regresar la puerta dentro de 2 segundos cuando ésta hace contacto con un objeto de 1-1/2" de altura localizado en el piso y a la mitad del claro de la puerta. Esto equivale a una tabla de un tamaño de 2" x 4" en posición horizontal sobre el piso.

### CARACTERÍSTICAS E SEGURIDAD

**Sistema de inversión sin contacto de Safe-T-Beam® (STB)** Consiste en un haz luminoso invisible a través del vano de la puerta que invierte el recorrido de la puerta durante la operación de cerrar a la posición toda abierta si algo interfiere o pasa a través del haz luminoso.

**Sistema de inversión de contacto de Safe-T-Beam® (STB)** Automáticamente detiene e invierte el recorrido una puerta cerrándose dentro de los 2 segundos de hacer contacto con algún objeto.

**Sistema de alumbrado automático** Dos bombillas de 60 vatios máximo cada una, se usan para las entradas y salidas más seguras. Las bombillas se encienden cuando se activa la puerta y se apagan automáticamente 4 minutos después de haber parado en cualquiera de las posiciones extremas.

**Desenganche de emergencia manual** Permite abrir o cerrar manualmente la puerta del garaje para emergencias o mantenimiento.

**Control de velocidad** Autoajutable.

**Control de fuerza** Autoajutable.

## INFORMATIONS RELATIVES À LA SÉCURITÉ SOMMAIRE DES DANGERS POTENTIELS

Les portes de garage à déplacement vertical sont de gros objets lourds qui fonctionnent à l'aide de ressorts soumis à une haute tension et les moteurs électriques peuvent entraîner des blessures, votre sécurité et celle des autres exigent que vous preniez connaissance des informations stipulées dans ce manuel. Si vous avez des questions ou si vous ne comprenez pas les informations ci-incluses, veuillez contacter le représentant de service le plus près.




Dans cette section et ceux-ci qui suit, le **Danger** de mots, **Avertissant** et **Avertir** sont utilisés pour souligner l'information de sûreté importante. Le mot:

**DANGER:** signale une situation dangereuse imminente qui, si elle n'est pas évitée, risque d'entraîner des blessures graves, voire mortelles.


**AVERTISSEMENT:** signale une situation potentiellement dangereuse qui, si elle n'est pas évitée, risque d'entraîner des blessures graves, voire mortelles.

**ATTENTION:** signale une situation potentiellement dangereuse qui, si elle n'est pas évitée, risque d'entraîner des blessures et des dommages matériels.

Le terme REMARQUE est utilisé pour signaler les étapes importantes à suivre ou d'importants éléments à prendre en considération.

DANGERS POTENTIELS	RÉSULTAT	PREVENTION
 <b>PORTE EN MOUVEMENT</b>	<b>AVERTISSEMENT</b> Cela risque d'entraîner la mort ou des blessures graves	<ul style="list-style-type: none"> <li>Ne laisser personne se tenir dans l'ouverture de la porte pendant qu'elle est en mouvement.</li> <li>Ne pas permettre aux enfants de jouer avec l'opérateur de la porte</li> <li>Ne pas faire fonctionner une porte qui bloque ou dont le ressort est cassé.</li> </ul>
 <b>CHOC ÉLECTRIQUE</b>	<b>AVERTISSEMENT</b> Cela risque d'entraîner la mort ou des blessures graves	<ul style="list-style-type: none"> <li>Mettez hors tension avant d'enlever le couvercle de l'opérateur.</li> <li>En refermant le couvercle, s'assurer que les fils ne sont ni coincés ni près des pièces mobiles.</li> <li>S'assurer que l'ouvre-porte est correctement mis à la terre.</li> </ul>
 <b>FORTE TENSION DU RESSORT</b>	<b>AVERTISSEMENT</b> Cela risque d'entraîner la mort ou des blessures graves	<ul style="list-style-type: none"> <li>Ne pas essayer d'enlever, réparer ou ajuster les ressorts ou toute autre pièce à laquelle le ressort de la porte est attaché, y compris blocs de bois, supports en acier, câbles ou autres articles semblables.</li> <li>Les réparations et les réglages doivent être effectués par un professionnel des systèmes de porte qui se sert d'outils appropriés et qui respecte les instructions.</li> </ul>

### INSTRUCTIONS DE MONTAGE IMPORTANTES

 <b>AVERTISSEMENT</b>	
<b>POUR RÉDUIRE LES RISQUES DE BLESSURES GRAVES OU DE MORT:</b>	
<b>1</b>	LIRE ET SUIVRE ATTENTIVEMENT TOUTES LES INSTRUCTIONS D'INSTALLATION, DE FONCTIONNEMENT ET TOUTES LES CONSIGNES DE SÉCURITÉ. SI VOUS AVEZ DES QUESTIONS OU SI VOUS NE COMPRENEZ PAS UNE INSTRUCTION, CONTACTEZ LE SERVICE CLIENTÈLE AU 1-800-784-5028.
<b>2</b>	Ne pas installer l'opérateur sur une porte mal équilibrée. Celle-ci pourrait entraîner de graves blessures. Les réparations et les réglages des câbles, ensembles de ressort ou tout autre article de quincaillerie doivent être effectués par un professionnel qui se sert d'outils appropriés et qui respecte les instructions.
<b>3</b>	Enlever toutes poignées et cordes et désactiver tous les verrous de la porte avant l'installer l'ouvre-porte.
<b>4</b>	Placer l'ouvre-porte de la porte au moins à 2,13 m au-dessus du sol. Placer le bouton de déclenchement d'urgence à une hauteur de 1,8 m au-dessus du sol.
<b>5</b>	Ne pas raccorder l'opérateur à la source d'alimentation avant l'étape en donnant l'instruction.
<b>6</b>	Repérer la console murale : <ul style="list-style-type: none"> <li>En vue de la porte du garage.</li> <li>À une hauteur minimale de 1,5 m (5 pi), afin que les jeunes enfants ne puissent pas l'atteindre.</li> <li>Loin de toutes pièces mobiles de la porte du garage.</li> </ul>
<b>7</b>	Placer l'étiquette d'AVERTISSEMENT en cas de coincage à proximité de la console murale. Placer l'étiquette d'urgence sur le levier de déclenchement d'urgence.
<b>8</b>	L'ouvre-porte doit s'inverser lorsque la porte within 2 seconds entre en contact avec un objet d'une hauteur de 3,8 cm placé sur le sol, au centre de l'ouverture de la porte. Ceci équivaut à une colombe de 2 par 4 po posée à plat sur le sol.

### CARACTÉRISTIQUES DE SÉCURITÉ

**Le système d'inversion de sécurité sans contact Safe-T-Beam® (STB)** Place un faisceau invisible à travers l'ouverture de la porte qui inverse sa course alors qu'elle s'abaissait pour revenir en position totalement ouverte si quelque chose traverse le faisceau.

**Système d'inversion de sécurité au contact Safe-T-Beam®** Arrête et inverse automatiquement la course d'une porte dans les 2 secondes suivant un contact avec un objet.

**Système d'éclairage automatique** Deux ampoules allant jusqu'à 60 Watts max chacune sont utilisées pour sécuriser les entrées et les sorties. La lumière s'allume lorsque la porte est activée et s'éteint automatiquement 4 minutes après les arrêts.

**Déclenchement manuel d'urgence** Permet d'ouvrir et de fermer manuellement la porte du garage en cas d'urgence ou d'entretien.

**Contrôle de la vitesse** Auto-réglable.

**Contrôle de la force** Auto-réglable.



## LISTA DE VERIFICACIÓN PREVIA A LA INSTALACIÓN

Este paquete del abrepuertas incluye las partes y componentes necesarios para instalarse en la mayoría de los garajes y conectarse a la mayoría de los modelos de puertas de garaje disponibles en el mercado. Existe una amplia variedad de garajes y puertas de garaje. En algunos casos pueden requerirse algunas partes y componentes adicionales para instalar el abrepuertas en su garaje y conectarlo a la puerta. Cuando verifique los conceptos enlistados a continuación, revise si se requieren partes o componentes adicionales.

### Herramientas requeridas en esta sección:

- Cinta métrica de mas de 12'
- Lápiz
- Escalera
- Nivel

### VERIFIQUE LOS SIGUIENTES PUNTOS ANTES DE ENSAMBLAR EL ABREPUERTAS:

#### VERIFIQUE DA PASO 1: VERIFIQUE LA CONDICIÓN Y EL ESPESOR DE LA PUERTA

Verifique la condición del larguero vertical en el centro de la puerta, (Figura 2) y su conexión a las vigas superior e inferior de la misma.

- Si el marco de la puerta está clavado como una sola pieza y no tiene una estructura sólida, debe asegurarse o reforzarse antes de instalar el abrepuertas.
- Si la puerta es de "construcción ligera" (está hecha de un armazón y una cubierta - no está hecha de una sola pieza), la puerta (incluyendo el marco) debe asegurarse o reforzarse antes de instalar el abrepuertas.
- Un soporte de refuerzo del control puede ser necesario para conectar la puerta del garaje al soporte del abrepuertas. El control está diseñado para instalarse en una puerta con una estructura adecuadamente asegurada o a una puerta de construcción sólida (de una sola pieza).
- Llame a su distribuidor autorizado por la fábrica Genie o al distribuidor de la puerta de su garaje para la adquisición del soporte de refuerzo y los componentes necesarios para asegurar el abrepuertas (en caso que se requiera) antes de continuar adelante.
- Si tiene una puerta de madera, mida el espesor de la puerta (1/4" x 2"), en el paquete se incluyen tornillos de sujeción para instalar el soporte de la puerta a la puerta. Si el espesor de su puerta es menor de 2", refuerce la puerta o use tornillos de sujeción para el soporte de la puerta más cortos (1/4" x 1-1/4" - no están incluidos en el paquete).

#### VERIFIQUE DA PASO 2: VERIFIQUE LA ALINEACIÓN, OPERACIÓN Y BALANCE DE LA PUERTA DEL GARAJE

- Suba la puerta, verifique la alineación y revise si se mueve libremente (Figura 1). Si la puerta está desalineada, atorada, o no se desplaza suavemente, llame a su distribuidor autorizado por la fábrica o al distribuidor de la puerta de garaje para que efectúe las reparaciones o ajustes al mecanismo de la puerta.
- Abra la puerta hasta 3' o 4' por encima del nivel del piso y suéltela cuidadosamente. La puerta debe permanecer fija. Un pequeño movimiento es aceptable. Un movimiento mayor a ligero significa que la puerta está desbalanceada. Llame a su distribuidor autorizado de la fábrica Genie o al distribuidor de la puerta de garaje para que efectúe las reparaciones y ajustes al mecanismo de la puerta.
- Verifique el tipo de puerta. Anote si es una puerta seccionada o de una sola pieza (Figura 2).

**⚠ ADVERTENCIA**

Si sus palos de puerta, los lazos o es fuera de equilibrio, lo tiene ajuste ppor una Fábrica de Overhead Door el comerciante Autorizado. Los primaveras de la puerta, los cables, las poleas, los paréntesis y hardware asociado están bajo la tensión extrema y pueden causar la herida gravas o la muerte .

---

**NOTA**

L'ouvre-porte PowerMax est équipé d'un système de détection d'équilibre automatique de porte de garage. (Se reporter au tableau de dépannage en page 16.)

**⚠ AVERTISSEMENT**

Si votre porte grippe, coince ou est déséquilibrée, contacter un professionnel pour la rééquilibrer. Les ressorts, les câbles, les poulies et les supports de la porte et la quincaillerie associée subissent des tensions extrêmes et peuvent entraîner des blessures voire la mort.

---

**REMARQUE**

L'Ouvre-boîte de Powermax est équipé avec un Système de Détection d'Equilibre de Porte de Garage Automatique. Voir Dépanner Diriger à la page 16.

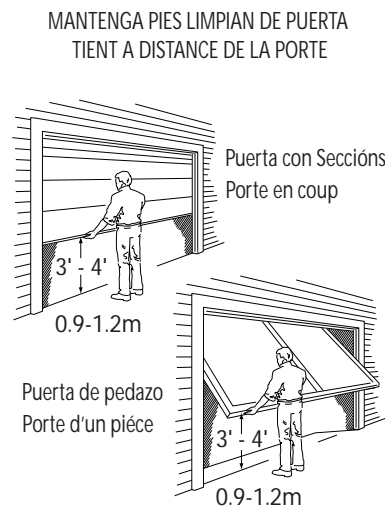


Figura 1 Verifique el equalibrio de puerta  
Figure 1 Vérifier l'équilibre de porte

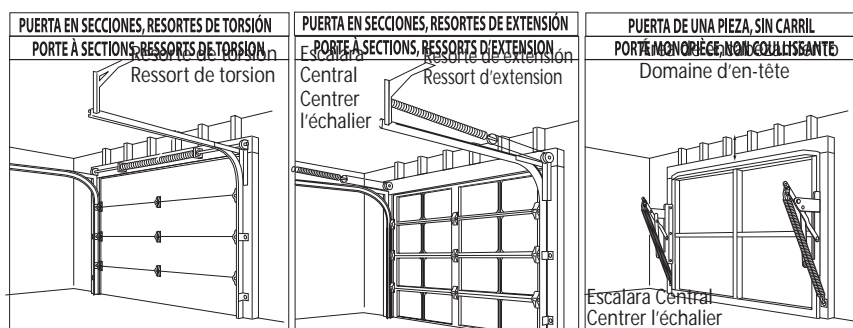


Figura 2 Nota de tipo puerta / Figure 2 Identifier le type de porte

## LISTE DE VÉRIFICATION AVANT L'INSTALLATION

Cet ouvre-porte comprend des pièces et des fournitures nécessaires à l'installation dans la plupart des garages et peut se connecter à pratiquement toutes les portes de garage. Toutefois il existe plusieurs types de garage et toute une panoplie de portes de garage. Quelques pièces et des fournitures supplémentaires peuvent être requises à l'installation de l'ouvre-porte pour en garantir la compatibilité avec votre porte de garage. Lors de la vérification des éléments ci-dessous, ajouter ceux qui manquent.

### Outilsage utilisé dans cette section :

- Ruban à mesurer +3,7 m
- Crayon
- Échelle
- Niveau

### VERIFIER LOS PUNTOS SIGUIENTES ANTES DE PROCEDER A L'ASSEMBLAGE DE L'OUVRE-PORTE:

#### ETAPE DE VÉRIFICATION 1: VÉRIFICATION DE L'ÉTAT ET DE L'ÉPAISSEUR DE LA PORTE

Vérifier l'état du montant au centre de la porta (Figure 2) et sa liaison aux poutres inférieures et supérieures de la porta.

- Si l'encadrement de la porta est cloué ensemble et ne garantit pas une liaison solide, il faut le renforcer avant de procéder à l'installation de l'ouvre- porte.
- Si la porta est légère (fabriqué avec un encadrement et revêtement, pas solide), la porta (y compris l'encadrement) doivent être renforcés avant d'installer l'ouvre- porte.
- Un renforcement d'ouvre- porte peut être nécessaire pour connecter la porta du garage au support de l'ouvre-porte. Cet ouvre-porte a été conçu pour l'installation sur une porta à sections ou une porte monopiece solidement renforcée.
- Contactez votre revendeur agréé Genie ou celui de votre porta de garage pour tout renforcement nécsaire et support d'ouvre-porte (le cas échéant) avant deprocéder à l'installation.
- Pour les portes en bois, en mesurer, l'épaisseur. Des vis tire-fond (14 x 2po) sont incluses pour l'installation du support de porte sur la porta. Si l'épaisseur de la porta est inférieure à 5cm, ren forcer la porta ou utiliser des vis tire-fond plus courtes (1/4 x 1-1/4 po pas incluses).

#### ETAPE DE VÉRIFICATION 2: VÉRIFICATION DE L'ALIGNEMENT DE LA PORTE DE GARAGE DE SON FONCTIONNEMENT ET DE L'ÉQUILIBRE

- Soulever la porte, vérifier l'alignement et observer qu'elle bouge librement (Figure 1). Si la porta ne semble pas alignée, coince ou ne se déplace pas librement, contactez un revendeur agréé Genie ou le revendeur de la porta pour toute réparation et ajustements au mécanisme de la porta.
- Soulever la porte entre 7,5 et 10 cm du sol et relâcher. La porta ne doit pas bouger. Un léger mouvement est acceptable. Toutefois un mouvement plus grand indique que la porta est déséquilibrée. Contactez votre revendeur agréé Genie ou celui de votre porta de garage pour toute réparation et ajustement au mécanisme de la porta.

- Contrôler le type de la porta. Indiquer s'il s'agit d'une porte à sections ou d'une porte monopiece (Figure 2).

### VERIFIQUE DA PASO 3: MIDA LA ALTURA DE LA PUERTA DEL GARAJE

Mida la altura de la puerta del garaje (7'-6", 8'-0" o más alta) con una cinta métrica.

- A** Si la altura de la puerta es de 7'-6" o menos, vaya a Verifique el paso 4.
- B** Si la altura de su puerta es mayor de 7'-6", puede que necesite un kit con un canal de extensión (Figura 3). Si tuviera alguna pregunta, comuníquese con el Representante de servicio al cliente, llamando al **1-800-784-5028**.

### VERIFIQUE DA PASO 4: VERIFIQUE EL ÁREA DEL TRAVESAÑO SUPERIOR DE LA PUERTA

#### NOTA

El travesaño es una sección fuertemente reforzada en la pared, justo encima de la parte superior del vano de la puerta del garaje.

- A** Localice la línea de centro vertical de la puerta y el travesaño.
  - Cierre la puerta.
  - Mida el ancho de la puerta en la parte superior.
  - Ponga una marca en el centro de la puerta y en el travesaño directamente arriba de la puerta. Dibuje una línea de centro que conecte ambos puntos.
- B** Mida la altura del soporte de travesaño (Figura 4). (No sujete el soporte de travesaño)
  - Abra la puerta, observe el extremo superior de la puerta y detenga la puerta cuando este extremo alcance su punto más alto.
  - Mida la distancia ("H") desde el extremo superior de la puerta hasta el piso.
    - Para puertas seccionadas, adicione 2-1/2" a la altura "H".
    - Para puertas de una sola pieza, adicione 6" a la altura "H".
  - Ponga una marca en la línea central. La parte inferior del soporte del travesaño se instalará allí.

#### NOTA

- Para ambos tipos de puerta:
  - Si el techo en su garaje está tan bajo que no hay cuando menos 3" de claro arriba del punto de montaje del soporte del travesaño, llame a su distribuidor autorizado por la fábrica.
- En el caso en que un resorte de la puerta interfiera, coloque el soporte del travesaño arriba del resorte. No mueva el resorte de la puerta.

#### ⚠️ ADVERTENCIA

Los resortes de puerta están bajo tensión extremadamente alta y deben manejar solamente profesionales entrenados para su manejo.

- C** Verifique la zona en la pared para comprobar que existe un poste de tabique o un travesaño sólido de metal en donde usted puso la marca. Si la verificación se efectúa en una pared terminada, un detector de metales puede serle de utilidad.
  - Si la localización está por encima del travesaño, una tabla de 2" x 6" deberá atornillarse a los postes junto a la marca que usted puso con un mínimo de dos tornillos para madera y rondanas planas (estas piezas no se incluyen en el paquete).
  - Relocalice su marca a la nueva tabla de montaje.

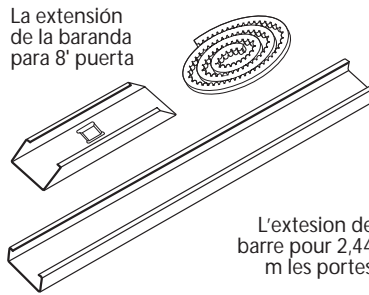


Figura 3 El juego de la extensión de la baranda

Figure 3 La trousse d'extension de barre

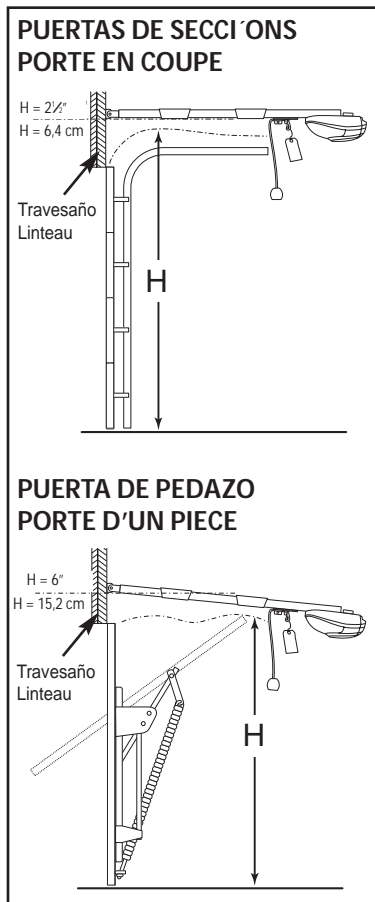


Figura 4 Mida el punta más alto del viaje de puerta

Figure 4 Trouver le plus haut point de voyage de porte

### ETAPE DE VÉRIFICATION 3: MESURE DE LA HAUTEUR DE LA PORTE DE GARAGE

Mesurer la hauteur de la porte de garage (7 pi 6 po, 8 pi 0 po, ou plus) à l'aide d'un ruban.

- A** Si la porte mesure 7 pi 6 po ou moins, passer au contrôle de l'étape 4.
- B** Si la porte mesure de 7 pi 6 po, le kit d'extension de canal est nécessaire (Figure 3). Adressez vos questions à un agent du service clientèle en composant le **+1 (800) 784-5028**.

### ETAPE DE VÉRIFICATION 4: INSPECTION DE LA ZONE DE LINTEAU DE LA PORTE

#### REMARQUE

Le linteau est une section renforcée du mur située juste au-dessus de la partie supérieure de l'ouverture de la porte de garage.

- A** Repérer la ligne centrale de la porte et le linteau.
  - Fermer la porte.
  - Mesurer la largeur de la porte en haut.
  - Tracer un point au centre de la porte et sur le linteau directement au-dessus de la porte. Tracer une ligne centrale pour la connexion des points.
- B** Repérer la hauteur d'installation du support de linteau (Figure 4). (Ne pas fixer le support du linteau):
  - Tout en soulevant la porte du garage, observer le bord supérieur de la porte et arrête le mouvement lorsque le bord atteint son point le plus élevé.
  - Mesurer la distance (H) du bord supérieur de la porte au sol.
    - Pour les portes à sections, ajouter 6,4 cm à H. Tracer un point sur la ligne centrale. La partie inférieure du support du linteau s'installe ici.
    - Pour les portes monopieces, ajouter 15,2 cm à H. Tracer ce point sur la ligne centrale. La partie inférieure du support du linteau s'installe ici.

#### REMARQUE

- Pour les deux types de porte:
  - Si le plafond du garage est bas et qu'il n'y a pas au moins 7,5 cm d'espace libre au-dessus du point de montage du support de linteau, contactez un revendeur agréé.
- Si le ressort de la porte gêne, placer le support du linteau au-dessus du ressort. Ne pas déplacer le ressort de la porte.

#### ⚠️ AVERTISSEMENT

Les ressorts de la porte sont sous des tensions particulièrement élevées et seul est un professionnel qualifié est en droit de travailler avec.

- C** Inspecter le mur pour repérer un montant ou un linteau solide au niveau de votre repère (utiliser un localisateur de montant si besoin).
  - Si l'emplacement est au-dessus du linteau, une planche de 2 x 6 po doit être installée aux montants à côté de votre repère avec au moins deux vis tire-fond et des rondelles plates (non fournies).
  - Transférer votre marque sur une nouvelle planche de montage.

**VERIFIQUE DA PASO 5: VERIFIQUE EL AREA DE MONTAJE DE LA CAJA DE MOTOR**

Verifique el claro o espacio disponible arriba donde se localizará la caja de motor del abrepuertas (Figura 5):

- A** Mida la distancia desde la línea central de la puerta del garaje hacia la parte trasera, coloque una marca:
- Aproximadamente 11' hacia atrás si el garaje tiene una puerta de 7' 6".
  - Aproximadamente 13' 6" hacia atrás si el garaje tiene una puerta de 8' 0".

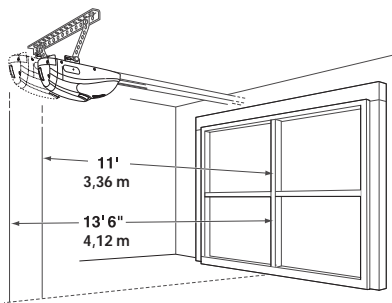
**NOTA**

Las abrazaderas de montaje están incluidas en el paquete para sujetar el abrepuertas a la mayoría de los techos de garaje. La construcción de los garajes varí mucho. Por ende se pueden requerir cintas adicionales de montaje o ángulos de hierro para la instalación del abrepuertas.

- B** Localice la viga o trabe del techo que está encima de donde la caja del motor del abrepuertas estará instalado y estime el tipo y cantidad de materiales necesarios para su instalación (Figura 6).

Verifique que el tomacorriente con conexión a tierra, de 15 Amperios / 120 Voltios o caja de conexiones. Esté dentro de los 3pies de la caja de control.

Verifier que la prise est mise à la terre, 15 amp, 120 V ou que la boîte de jonction se trouve à 0,9 m de la tête motorisée.



**Figura 5** Verifique la ubicación de cabeza de poder.

**Figure 5** Vérifier l'emplacement de tête de pouvoir.

**ETAPE DE VÉRIFICATION 5: INSPECTION DE LA ZONE D'INSTALLATION DE LA TÊTE MOTRICE**

Inspecter le plafond ou l'espace au-dessus de la tête motrice où l'ouvre-porte doit être installé (Figure 5) :

- A** Mesurer la distance du repère de la ligne médiane vers l'arrière du garage.
- Environ 3,36 m à l'arrière si la porte du garage mesure 2,29 m.
  - Environ 4,12 m à l'arrière si la porte du garage mesure 2,44 m.

**REMARQUE**

Des brides de montage sont incluses pour fixer l'ouvre-porte à la plupart des plafonds de garage. Les constructions de garage varient considérablement. Des brides de montage supplémentaires ou une cornière peuvent être requises pour votre installation.

- B** Repérer l'emplacement de la solive de plafond ou de la ferme où la tête motorisée de l'ouvre-porte doit être installée et déterminer le type et la quantité des matériaux nécessaires à l'installation (Figure 6).

**LOS EJEMPLOS ABIERTOS DEL TECHO DEL RAYO  
LES EXEMPLES DE PLAFONDS DE RAYON D'OUVERTURE**

Las correas que montan

Monter sangle

Sostenga la tabla agregada para espacios más largos

Soutien adde de conseil pour les portées plus longues

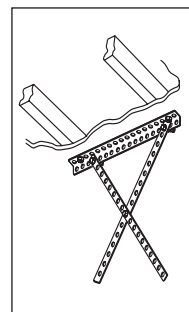
El hierro perforado del ángulo (no incluyó)

La cornière (n'a pas inclus)

**LOS TECHOS TERMINADOS**

Localice viguetas de techo o bragueros que utilizan a un descubridor de semental o dispositivo semejante. Acople un perfil de hierro ángulo (no se incluye en todos los modelos) a las viguetas a través del material acabado usando las pijas (30).

**PLAFOND FINI** Localiser les solives de plafond ou les armatures en utilisant un viseur de clou ou l'appareil similaire. Attacher la cornière aux solives ou aux armatures par le matériel terminé en les vis de décalage utilisantes.



**Figura 6** Los métodos que montan para el rayo abierto y terminaron techos.

**Figure 6** Les méthodes montant pour ouve le rayon et a fini des plafonds.

**VERIFIQUE DA PASO 6: VERIFIQUE TECHO PARA MOLIÓ LA FUENTE DEL PODER**

- A** Verifique que existe una salida para conexión eléctrica con capacidad de 15 Amperios 120 Voltios o que existe una caja de conexión con cables permanentemente conectados a tierra (de acuerdo al código del fabricante) en un espacio de 3' alrededor de la caja del motor del abrepuertas.

- Si no existe, debe instalarse una salida o una caja de conexión. Llame a un electricista certificado para la instalación.
- Si los códigos, de acuerdo al tipo de construcción, requieren el uso de un cableado permanentes, la caja del motor debe ser desensamblada parcialmente para instalársele los cables adecuados en lugar del enchufe. Vea la Figura 33- cartel de assembea y instalación.

**NOTA**

El cableado permanente debe ser instalado por un electricista certificado. No todos los distribuidores autorizados de tienen electricistas certificados. Llame a un electricista certificado.

**ETAPE DE VÉRIFICATION 6: INSPECTION DU PLAFOND POUR REPÉRER LA SOURCE D'ALIMENTATION MISE À LA TERRE**

- A** Vérifier la présence d'une prise électrique mise à la terre de 15 Amp 120 V ou d'une boîte de jonction mise à la terre en permanence (selon le code de construction) dans les 92 cm de la tête motorisée de l'ouvre-porte.

- Si ce n'est pas le cas, installer une prise ou une boîte de jonction. Contacter un électricien agréé pour l'installation.
- Si les codes du bâtiment requièrent un câblage permanent, la tête motorisée doit être démontée partiellement afin de pouvoir installer le câblage approprié à la place du cordon d'alimentation. Voir le Figure 33- Cartel de Assemblée et Installation.

**REMARQUE**

Un électricien agréé doit se charger de l'installation du câblage permanent. Les revendeurs agréés ne sont pas nécessairement des électriciens agréés. Contacter un électricien agréé, si besoin.

## VERIFIQUE DA PASO 7: VERIFIQUE LA LOCALIZACIÓN DEL SOPORTE DE MONTAJE SAFE-T-BEAM®

Verifique el área de localización (6" arriba del piso) del montaje de soporte para confirmar si es de armazón de madera, o un montante de madera o una estructura de mampostería (piedra o ladrillo) cuidando que al localizar el soporte, las orejas de sujeción de éste queden hacia afuera de la puerta del garaje (Figura 7).

- A** En caso de que no pueda instalar el soporte de montaje Safe-T-Beam® a la armazón de madera:
- Use anclas y tornillos para concreto (no incluidos) para montar los soportes en la pared de mampostería cuidando que al localizar el soporte, las orejas de sujeción de éste queden hacia afuera de la puerta del garaje.
  - Las extensiones del soporte de montaje Safe-T-Beam® pueden usarse para la instalación (no están incluidas en el paquete - sin embargo están disponibles con su distribuidor autorizado de o a través del formato de pedido de accesorios de la página 21).

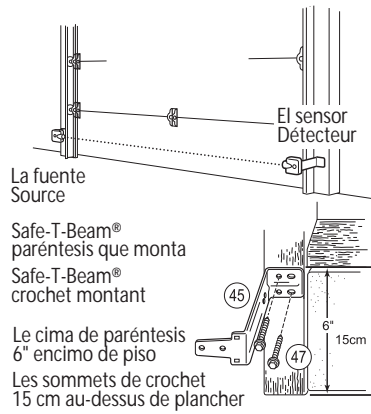


Figura 7 Que monta Safe-T-Beam® los Componentes

Figure 7 Montant Safe-T-Beam® les pièces

## ETAPE DE VÉRIFICATION 7: VÉRIFICATION DE L'EMPLACEMENT DE SUPPORT DE MONTAGE SAFE-T-BEAM®

À l'emplacement de l'installation, (15 cm au-dessus du sol), inspecter l'encadrement, l'huisserie ou la maçonnerie en bois du garage avec des languettes de fixation dirigées dans le sens opposé à la porte de garage (Figure 7).

- A** En cas de difficultés à installer le support de montage SAFE-T-BEAM® sur un encadrement en bois :
- Utiliser des vis et des ancrages pour le béton (non fournis) pour installer les supports sur la maçonnerie avec languettes de fixation dirigées dans le sens opposé à la porte de garage.
  - Utiliser éventuellement des extensions au support de montage SAFE-T-BEAM® (non fournis disponibles auprès d'un revendeur agréé ou en les commandes via le formulaire des commandes d'accessoires en page 21).

## VERIFIQUE DA PASO 8: HERRAMIENTAS RECOMENDADAS

- A** Herramientas (Figura 8):
- B** Herramientas adicionales para hacer más fácil la instalación:
- Desarmadores con punta de cruz y punta plana.
  - Detector de partes metálicas o postes.
  - Tijeras para corte de hojas de metal.

## ETAPE DE VÉRIFICATION 8: OUTILLAGE RECOMMANDÉ

- A** Outils (Figure 8) :
- B** Outils additionnels pour faciliter l'installation :
- Embouts de tournevis à tête Phillips (cruiforme) et lames plates.
  - Localisateur de montant.
  - Cisailles pour tôle.

## VERIFIQUE DA PASO 9: QUITAR LAS CERRADURAS EXISTENTES DE LA PUERTA DEL GARAJE

Verifique que las cerraduras, la cuerda, y las manijas T se han quitado de la puerta del garaje antes de empezar la instalación.

- A** En caso que su garaje no tenga una puerta independiente de entrada, se recomienda ampliamente instalar un paquete de liberación de emergencia (GER-2). El paquete de liberación de emergencia le permite abrir la puerta del garaje desde el exterior en caso de que exista una falla en el suministro de energía eléctrica. (Por favor vea el formato de pedido de accesorios en las página 20.)

Antes de seguir adelante, tenga a la mano todos los componentes y herramientas:

- Adaptadores del soporte de montaje del sensor Safe-T-Beam® (distribuidor)
- Soporte de refuerzo del abrepuertas (distribuidor)
- Paquetes de soportes de refuerzos, tornillos, refuerzos y amarre del armazón de la puerta de garaje (distribuidor)
- Tornillos para madera (1-1/4") para puertas de madera con un espesor menor a 2" (tienda)
- Salida eléctrica y / o cables eléctricos (abastecidos por un electricista certificado)
- El kit de extensión de PowrMax (para puertas de garaje de 8') (tienda)
- Cantidad suficiente de ángulo de fierro o cintas para colgar la caja del motor ( tienda)
- Dos focos de 60-watts (Se recomiendan focos de 130 voltios) (tienda)
- Paquete de liberación de emergencia GER-2 para acceso en caso de falla de energía eléctrica (tienda)
- Madera para el travesaño, el techo, y / o refuerzo de amarre de la puerta (en caso necesario)
- Sujetadores para mampostería para la instalación del soporte del Safe-T-Beam®, (en caso necesario).
- Broca para mampostería (en caso necesario)
- Kit de extensión (para puertas de garaje de 8') (del almacén).



Figura 8 Herramientas Recomendadas

Figure 8 Outils recommandés

## ETAPE DE VÉRIFICATION 9: DÉMONTAGE DES VERROUS EXISTANTS DE LA PORTE DE GARAGE

Vérifier que les verrous de la porte de garage, la corde et les poignées en T sont enlevés de la porte de garage afin de procéder à l'installation.

- A** Si votre garage n'est pas doté d'une porte d'entrée distincte, il est recommandé d'installer un kit de déclenchement d'urgence (GER-2). Le kit de déclenchement d'urgence permet d'ouvrir la porte de garage de l'extérieur en cas de coupure de courant. (voir le formulaire de commandes d'accessoires, page 20.)

Avant de poursuivre l'installation, rassembler tous les éléments et outils pour l'installation :

- Adaptateurs pour support de montage du capteur SAFE-T-BEAM® (revendeur)
- Support de renforcement pour l'ouvre-porte du garage (revendeur).
- Supports de renforcement pour l'encadrement de la porte de garage, vis, kits de renforcement (revendeur).
- Vis tire-fond (1-1/4 po) pour une porte en bois d'une épaisseur inférieure à 5 cm (magasin)
- Prise électrique et/ou câblage (fournis par un électricien agréé)
- Kit d'extension PowerMax pour des portes de 2,44 m (magasin)
- Cornière ou sangles pour la suspension de la tête motorisée (magasin)
- Deux ampoules de 60 Watts (130 Volts recommandés) (magasin)
- Kit de déclenchement d'urgence GER-2 permettant l'ouverture en cas de panne de courant (magasin)
- Bois pour linteau, plafond et/ou renforcement de la porte (si besoin).
- Attaches à maçonnerie pour l'installation du support Safe-T-Beam® (si besoin)
- Foret à maçonnerie (si besoin)
- Kit d'extension (pour des portes de 8 pi)

# AJUSTES Y MANTENIMIENTO

## PROGRAMACIÓN DEL ABRIDOR

### ANTES DE EMPEZAR

#### Elementos de control

El control para la programación del abridor de puertas está localizado en la esquina posterior derecha de la caja de control.

- A** La presentación numérica muestra la etapa del menú así como el valor seleccionado (Figura 9).
  - La presentación del punto se ilumina para indicar que "está listo para funcionar" y parpadea durante la programación del control remoto.
- B** Sirve como un botón "ARRIBA" durante la fase de posición de ajuste / ajuste, y como un botón de "INICIAR" fuera del menú.
- C** Sirve como un botón "ABAJO" durante la fase de posición de ajuste / ajuste.
- D** Se usa para seleccionar el menú deseado de posición de ajuste / ajuste o etapa del menú y para guardar la posiciones de ajuste.

La programación de la unidad de control es gobernada por menús. Oprimiendo el botón D llama la guía del menú. Los números presentados indican la etapa del menú. Después de 2 segundos aproximadamente, la presentación parpadea y la posición de ajuste se puede alterar usando los botones B y C. La posición de ajuste seleccionada se guarda con el botón D, y el programa automáticamente salta a la etapa siguiente del menú. Oprimiendo repetidamente el botón D, se pueden saltar las etapas del menú. Para salir del menú, oprima el botón D hasta que se muestre otra vez el "0". Cuando no está en el modo de programación, el botón B se puede usar para activar la unidad.

### NOTA

Antes de la programación deje que la puerta enganche con el corredizo. Conecte la corriente eléctrica. Asegúrese de que la antena esté puesta correctamente. Observe las instrucciones del transmisor remoto.

### POSICIONES DE AJUSTE DEL PASO 1:

#### POSICIÓN DE AJUSTE / AJUSTE EL EXTREMO SUPERIOR DEL RECORRIDO

- A** Mantenga oprimido el botón D durante 3 segundos (Figura 10).
  - El número 1 aparecerá en la presentación
    - Espere un corto tiempo hasta que el número 1 empiece a parpadear.
- B** Oprima el botón B. La puerta se moverá a la posición de ABRIR con tal que el botón se mantenga oprimido. Suelte el botón B cuando la puerta haya llegado a la posición de abrir deseada. Use los botones B y C para hacer los ajustes finales.
- C** Una vez que se haya alcanzado la posición de ABRIR del recorrido deseado, oprima el botón D. El operador guarda la posición de recorrido extrema de ABRIR y el "2" aparece en la presentación.

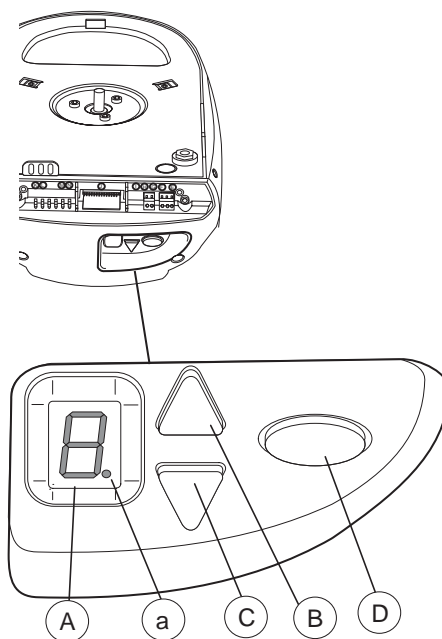


Figura 9 Elementos de control  
Figure 9 Eléments de commande

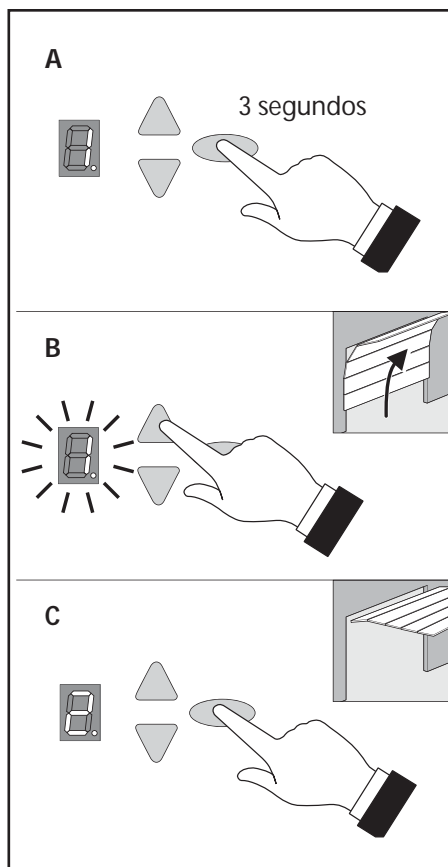


Figura 10 Posición de ajuste extrema superior  
Figure 10 Réglage de la partie supérieure

# REGLAGES ET MAINTENANCE

## PROGRAMMATION DE L'OUVRE-PORTE

### AVANT DE COMMENCER

#### Éléments de commande

Le contrôle de la programmation de l'ouvre-porte est situé à l'arrière à droite de la tête motorisée.

- A** Un affichage numérique indique l'option du menu ainsi que la valeur sélectionnée (Figure 9).
  - L'affichage s'allume pour indiquer que le système est prêt et clignote pendant la programmation de la télécommande.
- B** Sert de bouton HAUT pendant la phase de réglage et de bouton de DEMARRAGE lorsque le menu n'est pas activé.
- C** Sert de bouton BAS pendant la phase de réglage.
- D** Utilisé pour sélectionner le menu de réglage ou l'option de menu souhaités et enregistrer les paramètres.

La programmation de l'unité de commande est pilotée par un menu. Le bouton D permet d'afficher le guide du menu. Les chiffres indiquent l'option du menu. Environ deux secondes plus tard, l'affichage clignote et le réglage peut être modifié à l'aide des boutons B et C. Le paramètre sélectionné est enregistré avec le bouton D et le programme passe automatiquement à l'option suivante du menu. Pour ignorer des options du menu, appuyer plusieurs fois sur le bouton D. Pour quitter le menu, appuyer sur le bouton D jusqu'à ce qu'un 0 s'affiche à nouveau. Lorsque le système n'est pas en mode de programmation, le bouton B peut être utilisé pour activer l'unité.

### REMARQUE

Avant la programmation, la porte doit être engagée dans le chariot. Mettre sous tension. S'assurer que la position de l'antenne est correcte. Respecter les instructions de l'émetteur à distance.

### RÉGLAGES - ÉTAPE 1 : RÉGLAGE DE LA PARTIE SUPÉRIEURE DE LA COURSE

- A** Maintenir le bouton D appuyé pendant 3 secondes (Figure 10).
  - Le chiffre 1 apparaît sur l'affichage.
    - Attendre que le chiffre 1 commence à clignoter.
- B** Appuyer sur le bouton B. La porte se dirigera dans la direction d'ouverture tant que le bouton est appuyé. Relâcher le bouton B lorsque la porte a atteint la position d'ouverture souhaitée. Utiliser les boutons B et C pour effectuer les réglages définitifs.
- C** Lorsque la position de fin de course d'ouverture souhaitée a été atteinte, appuyer sur le bouton D. L'opérateur enregistre la position de la fin de course d'ouverture. Le chiffre 2 s'affiche.

## POSICIONES DE AJUSTE DEL PASO 2:

### POSICIÓN DE AJUSTE / AJUSTE DEL EXTREMO INFERIOR DEL RECORRIDO

- A** Espere un corto tiempo hasta que el "2" empiece a parpadear. Oprima el botón C. La puerta se moverá en la dirección de CERRAR con tal que el botón se mantenga oprimido. Suelte el botón C cuando la puerta esté a unas dos pulgadas del piso. Use los botones B y C para hacer los ajustes finales. **Figura 11.**
- B** Una vez que se haya alcanzado la posición deseada del recorrido extremo de CERRAR, oprima el botón D. El abridor guarda la posición de recorrido extremo de CERRAR.
- Se representa el número "0".

## POSICIONES DE AJUSTE DEL PASO 3:

### PROGRAMACIÓN DEL CONTROL REMOTO

- A** Brevemente oprima el botón D. **Figura 12.**
- Se representa el número "3".
- B** Cuando la presentación empiece a parpadear, oprima el botón deseado en el remoto por un segundo, luego suelte el botón por un segundo. Continúe oprimiendo y soltando el mismo botón hasta que el punto decimal empiece a parpadear.
- Transmisores adicionales (hasta 7) se pueden programar siguiendo el mismo procedimiento.
- C** Para hacer funcionar el control remoto.
- Oprima una vez el botón remoto.
    - La puerta se moverá.
  - Oprima otra vez el mismo botón.
    - La puerta se detendrá.
  - Oprima otra vez el mismo botón.
    - La puerta se moverá en la dirección opuesta. La puerta se detendrá automáticamente en la posición totalmente abierta o totalmente cerrada.

## POSICIONES DE AJUSTE DEL PASO 4:

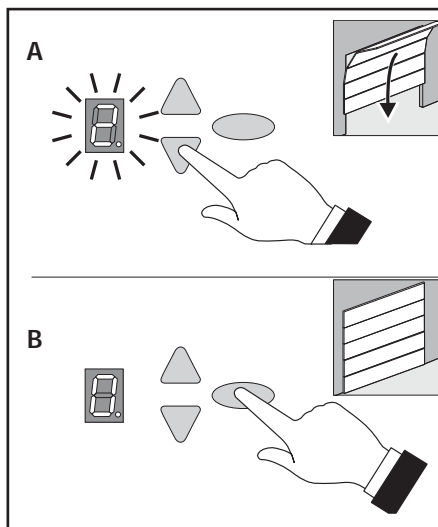
### PROGRAMACIÓN DE CONTROLES REMOTOS DE BOTONES MÚLTIPLES

- A** Programación.

## NOTA

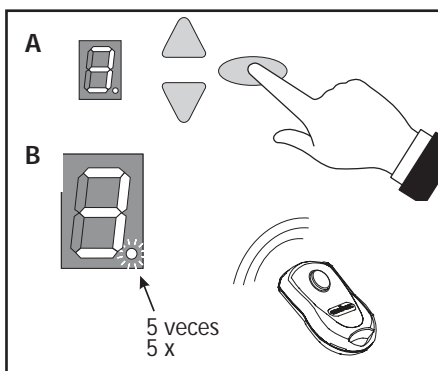
Cada botón de un remoto con botones múltiples está diseñado para usar con una puerta. Usted no puede programar dos botones para hacer funcionar la misma puerta, ni puede programar un botón para hacer funcionar dos puertas.

- B** Funcionamiento.
- Igual que el de un botón.



**Figura 11** Posición de ajuste extrema inferior.

**Figure 11** Réglage de la partie inférieure



**Figura 12** Función de iniciar la programación.

**Figure 12** Programmation de la fonction de démarrage.

## RÉGLAGES - ÉTAPE 2 :

### REGLAJE DE LA PARTIE INFERIEURE DE LA COURSE

- A** Attendre que le chiffre 2 commence à clignoter. Appuyer sur le bouton C. La porte se dirigera dans la direction de fermeture tant que le bouton est appuyé. Relâcher le bouton C lorsque la porte se trouve à 5 cm du sol. Utiliser les boutons B et C pour effectuer les réglages définitifs. Voir la **Figure 11.**
- B** Lorsque la porte se trouve dans la position de fin de course de fermeture souhaitée, appuyer sur le bouton D. L'ouvre-porte enregistre la position de fin de course de fermeture.
- Le chiffre 0 s'affiche.

## RÉGLAGES - ÉTAPE 3 :

### PROGRAMMATION DE LA TELECOMMANDE

- A** Appuyer brièvement sur le bouton D. **Figure 12.**
- Le chiffre 3 s'affiche.
- B** Lorsque l'affichage commence à clignoter, appuyer sur le bouton souhaité sur la télécommande pendant une seconde, puis relâcher le bouton pendant une seconde. Continuer d'appuyer et de relâcher le même bouton jusqu'à ce que le point décimal commence à clignoter.
- Des émetteurs supplémentaires (jusqu'à 7) peuvent être programmés selon la même procédure.
- C** Pour utiliser la télécommande.
- Appuyer une fois sur le bouton de la télécommande.
    - La porte du garage se déplace.
  - Appuyer à nouveau sur le même bouton.
    - La porte du garage s'arrête.
  - Appuyer à nouveau sur le même bouton.
    - La porte doit se déplacer dans le sens inverse. La porte s'arrête automatiquement en position totalement ouverte ou totalement fermée.

## RÉGLAGES - ÉTAPE 4 :

### PROGRAMMATION DES TELECOMMANDES A PLUSIEURS BOUTONS

- A** Programation.

## REMARQUE

Chaque bouton d'une télécommande à plusieurs boutons correspond à une (1) porte. Il est impossible de programmer deux boutons pour une seule porte ou un seul bouton pour deux portes.

- B** Fonctionnement.
- Identique à celle d'un bouton.

## POSICIONES DE AJUSTE DEL PASO 5:

### SUPRIMIENDO TODOS LOS CONTROLES REMOTOS

- A** Desenchufe el abridor.
- B** Mientras sostiene el botón D, enchufe el abridor.
- C** Vuelva a programar los controles remotos deseados siguiendo los pasos 3 ó 4 de la posición de ajuste.

## POSICIONES DE AJUSTE DEL PASO 6:

### CAMBIANDO LA BATERÍA DEL CONTROL REMOTO

- A** PARA MODELOS SIN LINTERNA
  - Abra la parte de atrás del remoto.
    - Use una moneda, pluma, destornillador o cualquier dispositivo similar.
    - Cambie la batería vieja por una nueva batería compatible tipo moneda.
    - Vuelva a cerrar la parte de atrás del remoto.
- B** PARA MODELOS CON LINTERNA
  - Resbale abriendo la tapa de la batería.
    - Cambie la batería vieja por una batería nueva de tamaño AAA.
    - Vuelva a instalar la tapa de la batería.

## ⚠️ ADVERTENCIA

Cualquier puerta de garaje en movimiento puede causar daños graves o incluso la muerte.

- Mantenga a la gente lejos del área de la puerta del garaje cuando ésta se encuentre en movimiento.
- No permita que los niños jueguen con los controles remotos. Si la reversa de seguridad no opera adecuadamente:
- Cierre la puerta y desconecte el abrepuertas usando la cuerda de liberación de emergencia.
- No use el abrepuertas, los controles remotos o el teclado numérico inalámbrico.
- Refiérase a los manuales de la puerta y del abrepuertas antes de intentar hacer cualquier reparación.

### Funcionamiento del control remoto (Figuras 13A y 13B)

- A** Oprima el botón o control remoto. La puerta del garaje se moverá.
- B** Oprima otra vez el botón. La puerta del garaje se detendrá:
  - La puerta se detiene automáticamente al final del ciclo de abrir o cerrar.
- C** Oprima otra vez el botón. La puerta del garaje invertirá su recorrido.
- D** Algunos controles remotos están equipados con una linterna. El logotipo es el botón que hace funcionar la luz. Hay una luz atrás debajo del botón. Cuando no está encendida, indica que se necesita cambiar la batería.

## NOTA

En caso de la pérdida o robo de un transmisor, siga el paso siguiente para impedir la entrada no autorizada a su casa.

## NOTA

- Cada control remoto se debe programar por separado.
- Los controles remotos no harán que el abridor de puertas cierre la puerta del garaje si el sistema Safe-T-Beam® está funcionando mal.
- Al programar los controles remotos, éstos deben estar por lo menos a 24" de distancia del alambre de la antena.
- Cada botón en un control remoto de 3 botones es para un abridor diferente. Usted no puede usar más de un botón por remoto, por abridor.
- Un máximo de siete controles o teclados numéricos inalámbricos se pueden guardar en el receptor, a un tiempo. Si se pierde un control remoto o usted desea suprimir un control remoto o teclado numérico inalámbrico, vea "Suprimiendo los controles remotos".

## REMARQUE

En cas de perte ou de vol de l'émetteur, procéder selon les étapes suivantes pour empêcher toute entrée non autorisée à votre domicile.

## REMARQUE

- Les télécommandes sont programmées individuellement.
- Elles ne pourront pas fermer la porte du garage si le système Safe-T-Beam® est défectueux.
- Lors de la programmation des télécommandes, il doit y avoir un intervalle de 24 po de l'antenne.
- Chaque bouton de la télécommande à 3 boutons est destiné à un ouvre-porte différent. Vous ne pouvez pas utiliser plusieurs boutons par télécommande, par ouvre-porte.
- Un total de 7 codes de télécommandes ou pavé sans fil peut être enregistré à la fois dans le récepteur. En cas de perte d'une télécommande ou pour effacer des données sur une télécommande ou un pavé sans fil, voir la section Supprimer les télécommandes

## RÉGLAGES - ÉTAPE 5 :

### SUPPRESSION DE TOUTES LES TELECOMMANDES

- A** Débrancher l'ouvre-porte.
- B** Tout en maintenant le bouton D enfoncé, brancher l'ouvre-porte.
- C** Reprogrammer les télécommandes souhaitées selon les étapes 3 ou 4.

## RÉGLAGES - ÉTAPE 6 :

### CHANGEMENT DE LA PILE DE LA TELECOMMANDE

- A** POUR LES MODELES SANS LAMPE DE POCHE
  - Ouvrir la partie arrière de la télécommande.
    - Utiliser une pièce, un tournevis, un stylo à bille ou objet de ce type.
    - Remplacer l'ancienne pile par une nouvelle pile compatible.
  - Replacer la partie arrière de la télécommande.
- B** POUR LES MODELES AVEC LAMPE DE POCHE
  - Ouvrir le couvercle du compartiment des piles.
    - Remplacer l'ancienne pile par une nouvelle pile AAA.
  - Replacer le couvercle de la pile.

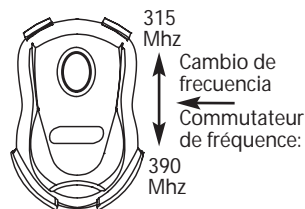
## ⚠️ AVERTISSEMENT

Toute porte de garage en mouvement peut entraîner de graves blessures voire la mort.

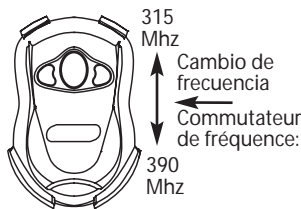
- Ne laisser personne se tenir dans l'ouverture de la porte pendant qu'elle est en mouvement.
  - Ne pas permettre aux enfants de jouer avec les télécommandes.
- Si le système d'inversion de sécurité ne fonctionne pas correctement, procéder comme suit :
- Fermer la porte et déconnecter l'ouvre-porte à l'aide du déclenchement d'urgence.
  - Ne pas utiliser l'ouvre-porte, les télécommandes ni le pavé sans fil.
  - Se reporter aux manuels d'utilisateur de l'ouvre-porte et de la porte avant de procéder à une réparation.

### Funcionamiento de la télécommande (Figures 13A et 13B)

- A** Appuyer sur le bouton de la télécommande. La porte du garage bouge.
- B** Appuyer à nouveau sur le bouton. La porte du garage s'arrête :
  - La porte s'arrête automatiquement à la fin d'un cycle d'ouverture ou de fermeture.
- C** Press Button again. La porte du garage repart en arrière.
- D** Certaines télécommandes sont munies d'une lampe de poche. Le logo de Genie sert de bouton pour allumer la lampe. Il y a un rétroéclairage sous le bouton. Lorsqu'il ne s'allume pas, les piles doivent être remplacées.



Remoto compacto de 1 botón con estación de amarre  
Télécommande à 1 bouton avec station d'amarrage



Remoto compacto de 3 botones con estación de amarre  
Télécommande à 3 boutons avec station d'amarrage

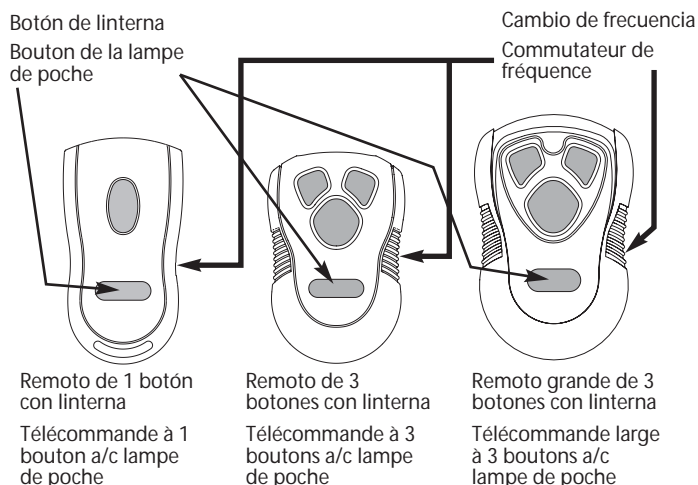


Figura 13A Controles remotos de la puerta elevable  
Figura 13A Télécommandes pour porte basculante

Figura 13B Controles remotos de puerta elevable  
Figura 13B Télécommandes pour porte basculante

## ACERCA DE LOS TRANSMISORES REMOTOS DE DOS FRECUENCIAS

El abridor de puertas de su garaje (GDO, por sus siglas en inglés) cuenta con un sistema de control remoto único de dos frecuencias para un servicio confiable en las ondas de transmisión atestadas de hoy día. Las ondas de transmisión atestadas pueden interferir en forma intermitente con el sistema de control remoto del abridor de puertas de garaje. Las dos frecuencias reducen grandemente la posibilidad de las interferencias indeseables.

El receptor de la caja de control en el abridor de puertas de garaje puede recibir señales a 315 y a 390 Mhz. El remoto está fijado en la fábrica a 315 Mhz. Vea las Figuras 13A y 13B para el cambio del selector de frecuencia.

**Cambie la frecuencia de su control remoto cuando:**

- El remoto no tiene alcance adecuado.
- El remoto trabaja en forma inconstante cuando se le instalan baterías nuevas – las luces de retroalimentación del diodo luminiscente se encienden cuando se oprime el botón.
- Al programar el sistema HomeLink® de su automóvil.

**Para programar un dispositivo HomeLink®:**

(Este abridor de puertas de garaje es compatible con HomeLink®.)

- Use un destornillador plano, pequeño para cambiar el selector de frecuencia a 390 Mhz.
- Siga las instrucciones de HomeLink® en su manual del propietario del automóvil.
- Vuelva a poner la frecuencia del control remoto a 315 Mhz para el uso diario.

## Certificación de FCC y de IC

Este dispositivo cumple con la Parte 15 de FCC y RSS 210 de la Industria del Canadá. De acuerdo con las regulaciones de FCC, este dispositivo no tiene derecho de estar protegido de interferencia por otras transmisiones de radio legales. Por consiguiente, es posible que las transmisiones de radio militares o civiles operando en una frecuencia similar puedan interferir con la transmisión radial entre el transmisor remoto y el receptor de este dispositivo. Este equipo ha sido probado y se encontró que cumple con los límites para un dispositivo digital de Clase B, de acuerdo con la Parte 15 de las Regulaciones de FCC. Estos límites están diseñados para proporcionar una protección razonable contra la interferencia dañina en una instalación residencial. Este equipo genera, usa y puede radiar energía de frecuencia radial, y si no se instala y usa de acuerdo con las instrucciones puede causar interferencia dañina a las comunicaciones radiales. Sin embargo, no se garantiza que no ocurrirán interferencias en una instalación particular. Si este equipo causa interferencias dañinas a la recepción de radio o televisión, lo cual se puede determinar apagando y encendiendo el equipo, se alienta al usuario que trate de corregir la interferencia por una o más de las siguientes medidas:

- Vuelva a orientar o vuelva a cambiar el lugar de la antena del receptor.
- Aumente la separación entre el operador y el receptor.
- Conecte el operador a un enchufe en un circuito diferente de donde está conectado el receptor.
- Consulte con su agente local.

## Conforme a la Réglementation de la FCC et de l'IC

Cet appareil est conforme à la Section 15 de la Commission fédérale de communication (FCC) et à RSS 210 de l'Industrie Canada. Conformément à la réglementation de la FCC, cet appareil ne peut pas être protégé contre toute inférence provenant de transmissions radio légales. En outre, il est possible que des transmissions radio militaires ou d'autres civiles utilisant une fréquence semblable puissent brouiller la transmission radio entre l'émetteur à distance et le récepteur dans cet appareil. This equipment has been tested and found to comply with the limits for a Class B digital device, pursuant to Part 15 of the FCC Rules. Ces limites sont conçues pour fournir une protection raisonnable contre les interférences néfastes en installation résidentielle. Cet appareil génère, utilise et peut radier une énergie radio électrique. Si, en outre, il n'est pas installé et utilisé conformément aux instructions, il peut causer des interférences préjudiciables aux communications radio. Cependant, il n'y a aucune garantie que des interférences ne se produiront pas dans une installation particulière. Si cet appareil cause des interférences préjudiciables à la réception radio ou télévision, ce qui peut être déterminé en mettant l'appareil sur marche/arrêt, l'utilisateur devrait essayer de corriger l'interférence selon l'une ou plusieurs des mesures suivantes :

- Réorienter ou repositionner l'antenne récepteur.
- Augmenter la distance séparant l'opérateur du récepteur.
- Connecter l'opérateur dans la prise d'un circuit différent de celui du récepteur.
- Contacter le revendeur local.

## A PROPOS DES EMETTEURS A DISTANCE A FREQUENCE DOUBLE

Votre ouvre-porte de garage (GDO) est doté d'un système de télécommande à fréquence double garantissant un service fiable parmi la multitude d'ondes aériennes qui existe aujourd'hui. Une surcharge d'ondes peut affecter le système de la télécommande des GDO. La fréquence double réduit considérablement le risque d'interférence non-souhaitée.

Le récepteur dans la tête motorisée du GDO peut recevoir des signaux à 315 et 390 MHz. Le réglage par défaut est à 315 MHz. Voir les Figures 13A et 13B pour le sélecteur de fréquence.

**Changer la fréquence de la télécommande lorsque :**

- La télécommande ne dispose pas de plage adéquate.
- La télécommande travaille de manière incohérente avec des piles neuves qui viennent d'être installées – Le DEL s'allume lorsqu'on appuie sur le bouton.
- Programmation du système HomeLink® de votre voiture.

**Pour programmer le dispositif HomeLink® :**

(Ce GDO est compatible avec HomeLink®.)

- A l'aide d'un petit tournevis plat, changer le sélecteur de fréquence à 390 MHz.
- Follow the HomeLink® instructions in your car owner's manual.
- Remettre la fréquence de la télécommande à 315 MHz pour une utilisation quotidienne.

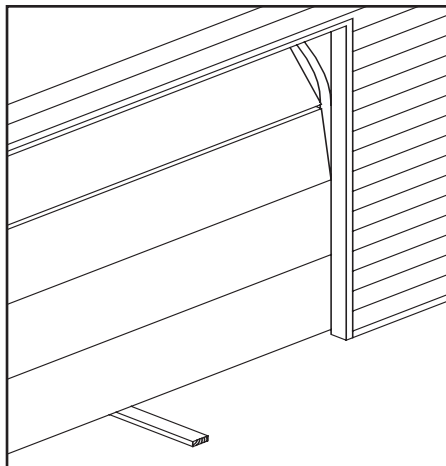
## POSICIONES DE AJUSTE DEL PASO 7:

## VERIFICACIÓN DEL LÍMITE DE FUERZA

### A Prueba del contacto inverso.

- Abra la puerta usando el control de pared.
- Ponga una madera de 2"x 4" sobre el piso en el centro del vano de la puerta del garaje (Figura 14).
- Cierre la puerta con el control de pared.
  - La puerta debe detenerse e invertir su recorrido dentro de los 2 segundos de haber tocado la madera.
  - Si la puerta no invierte su recorrido, repita la posición de ajuste de los pasos 1 y 2 en las páginas 9 y 10.
  - Si la puerta todavía no invierte su recorrido en forma apropiada, comuníquese con el Servicio al cliente, llamando al 1-800-784-5028.

Figura 14  
Verificando el límite de la fuerza



## RÉGLAGES - ÉTAPE 7 :

## VERIFICATION DE LA LIMITE DE LA FORCE

### A Contrôle de l'inversion au contact.

- Ouvrir la porte à l'aide de la commande murale.
- Placer une planche de 5 x 10 cm au sol dans le centre de l'ouverture de la porte de garage (Figure 14).
- Fermer la porte à l'aide de la commande murale.
  - La porte devrait s'arrêter et remonter (sens inverse) dans les 2 secondes après avoir contacté la planche.
  - Si la porte ne repart pas correctement en arrière, répétez les étapes 1 et 2 des pages 9 et 10.
  - Si le problème persiste, contacter le service clientèle au +1 (800) 784-5028.

Figura 14  
Vérification de la limite de la force



## POSICIONES DE AJUSTE DEL PASO 8:

### INSTALE LAS BOMBILLAS

- A** Instale dos bombillas de 60 vatios (no se incluyen), en los casquillos.
- Se recomienda usar bombillas reforzadas de 130 voltios.
- B** Instale el kit accesorio (GER) de desenganchar de emergencia, si se compró.

## MANTENIMIENTO

- A** Mensual
- Resortes de la puerta y herrajes de la puerta.
    - Aceite los rodillos de la puerta, cojinetes y bisagras usando lubricante de silicona o un aceite liviano.

## ⚠️ ADVERTENCIA

No haga funcionar la puerta manual o automáticamente si los resortes están rotos. Comuníquese con un distribuidor de puertas Overhead para servicio o llame al Servicio al cliente al **1-800-784-5028**.

- Equilibrio de la puerta.
  - Cierre la puerta.
  - Desenganche el conjunto del corredizo del conjunto del riel estirando hacia abajo la perilla de desenganchar de emergencia.
  - Levante la puerta manualmente de 3 a 4 pies y verifique que la puerta permanezca en esa posición. Vea la verificación del paso 2 en la página 5.

## NOTA

Cuando la puerta esté de 3 a 4 pies arriba del piso, la puerta debe permanecer abierta. Un ligero movimiento es aceptable. Si la puerta se mueve demasiado, comuníquese con un distribuidor de puertas Overhead o llame al Servicio al cliente al **1-800-784-5028**.

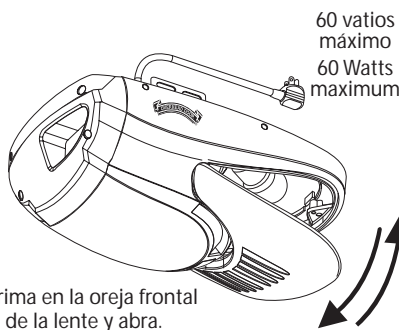
- Vuelva a conectar el conjunto del corredizo al conjunto del riel.
  - a. Estire la perilla de desenganchar de emergencia hacia la caja de control.
  - b. Cierre la puerta.
- Prueba de contacto inverso.
  - Realice las posiciones de ajuste del paso 7, en la página 12.

## ⚠️ ADVERTENCIA

Si la puerta falla en invertir el recorrido al entrar en contacto con la madera, aun después de realizar las posiciones de ajuste del paso 7, en la página 12, comuníquese con el distribuidor de puertas Overhead para servicio o llame al Servicio al cliente al **1-800-784-5028**.

## CERTIFICACIÓN de FCC y de IC

Todos los dispositivos cumplen con la Parte 15 de las Reglas de FCC. El funcionamiento está sujeto a las dos condiciones siguientes: (1) este dispositivo puede no causar interferencias dañinas y (2) este dispositivo debe aceptar cualquier interferencia recibida, incluyendo interferencias que pueden causar funcionamiento indeseable.



Oprima en la oreja frontal de la lente y abra.

Appuyer sur la languette avant de la lentille et ouvrir.

**Figura 15** Instale la tapa de la lente y las bombillas.

**Figure 15** Instalar las ampoules et la lentille.

### Declaración de cumplimiento del transmisor Déclaration de conformité de l'émetteur

Transmitters comply with all United States and Canadian legal requirements as of the date of manufacture. No warranty is made that they comply with all legal requirements of any other jurisdiction. If transmitters are to be used in another country, the importer must determine compliance with any local laws and regulations which may differ from United States and Canadian requirements prior to use.

Los transmisores cumplen con todas las reglamentaciones legales de los Estados Unidos y del Canadá, en la fecha de fabricación. Ninguna garantía se da que cumplan con todas las reglamentaciones legales de ninguna otra jurisdicción. Si los transmisores se van a utilizar en otro país, el importador debe determinar si cumplen con las reglamentaciones y leyes locales que puedan ser diferentes a las reglamentaciones de los Estados Unidos y del Canadá, antes de usar los mismos.

Les émetteurs sont conformes à la réglementation américaine et canadienne à compter de leur date de fabrication. Aucune garantie n'est stipulée indiquant qu'ils sont conformes à toutes les prescriptions juridiques d'autres autorités. Si les émetteurs sont utilisés dans d'autres pays, il incombe à l'importateur d'en déterminer leur conformité aux lois et règles locales pouvant différer de celles des États-Unis et du Canada avant toute utilisation desdits émetteurs.

Sendegeräte entsprechen allen gesetzlichen Bestimmungen in den USA und Kanada zum Zeitpunkt der Herstellung. Wir übernehmen keine Gewährleistung für die Einhaltung aller gesetzlichen Bestimmungen in anderen Ländern. Sollen Sendegeräte in anderen Ländern eingesetzt werden, so muss der Importeur vor dem Gebrauch sicherstellen, dass die Sendegeräte auch solchen lokalen Bestimmungen entsprechen, welche von den Bestimmungen der USA und Kanadas abweichen.

截止于制造日期, 传动装置符合美国和加拿大的所有法律要求。不提供传动装置符合任何其他司法地区所有法律要求之担保。如果传动装置需在任何其他国家使用, 进口商必须在使用之前确定装置符合与美国和加拿大要求不同之所有地方法规条例。

トランスミッターは、製造日付けのアメリカ合衆国及びカナダの法的条件に準拠します。しかしながら、トランスミッターがアメリカ合衆国及びカナダ以外の国の法的条件に準拠するか否かは一切保証できません。トランスミッターがアメリカ合衆国及びカナダ以外の国で使用される場合、同製品の使用に先立つ法規制がこれらの国々と異なることがあるため、輸入者は同製品が輸入国の法規制に準拠することを確認しなければなりません。

트랜스미터들은 미국과 캐나다 전역에서 제조 날짜를 명기해야 하는 요구사항에 따라야 합니다. 기타 다른 관할권의 모든 법적인 요구 사항에 따라야 하는 책임은 없습니다. 만일 트랜스미터들이 기타 다른 지역에서 사용될 경우 수입업자는 사용하기에 앞서 미국과 캐나다와의 요구사항과는 다를지도 모르는 그 지역의 법과 조례에 따라야 할지의 여부를 결정해야 합니다.

## RÉGLAGES - ÉTAPE 8 : INSTALLER LES AMPOULES

- A** Installer deux ampoules de 60 Watts (non fournies) dans les douilles.
- Pour une utilisation intense, utiliser des ampoules de 130 V.
- B** Installer le kit de déclenchement d'urgence (GER 2) (si acheté).

## MAINTENANCE

- A** Mensuelle :
- Ressorts et quincaillerie de la porte :
    - Graisser les rouleaux, roulements et charnières de la porte à l'aide d'un lubrifiant à la silicone ou huile légère.

## ⚠️ AVERTISSEMENT

Ne pas actionner la porte de garage automatiquement ou manuellement si les ressorts sont brisés. Contactez un distributeur de portes basculantes ou le service clientèle Génie au +1 (800) 784-5028.

- Équilibrer la porte
  - Fermer la porte.
  - Dégager le chariot du rail en tirant sur le bouton de déclenchement d'urgence.
  - Soulever la porte manuellement entre 7,5 et 10 cm et vérifier que la porte reste bien dans cette position. Voir l'étape 2 de la section des contrôles en page 5.

## REMARQUE

Lorsque la porte se trouve à 7,5 et 10 cm au-dessus du sol, elle doit pouvoir rester ouverte. Un léger mouvement est acceptable. Si la porte se déplace de trop, contacter un distributeur des portes basculantes ou le service clientèle Génie au +1 (800) 784-5028.

- Réattacher le chariot au rail :
  - a. Tirer le bouton de déclenchement d'urgence vers la tête motorisée.
  - b. Fermer la porte.
- Test d'inversion au contact.
  - Exécuter l'étape 7 de réglage en page 12.

## ⚠️ AVERTISSEMENT

Si la porte ne repart pas en arrière au contact de la planche et cela même après avoir exécuté l'étape 7 de réglage en page 12, contacter un distributeur des portes basculantes ou le service clientèle Génie au +1 (800) 784-5028.

## Conforme à la réglementation de la FCC et de l'IC

Les appareils sont conformes à la section 15 de la réglementation de la FCC. Son fonctionnement est sujet aux deux conditions suivantes : (1) cet appareil ne doit pas provoquer d'interférences néfastes, et (2) cet appareil doit accepter toutes les interférences reçues, y compris celles pouvant provoquer un fonctionnement non désiré.

**INVESTIGACIÓN DE AVERÍAS EN GENERAL. Siempre que trabaje con la caja de control desconecte antes la energía eléctrica.**

Problema	Causa posible	Qué hacer
La puerta no se abre o cierra totalmente.	Ha cambiado el funcionamiento mecánico de la puerta. Las posiciones de ajuste del recorrido extremo están incorrectas.	Mande verificar el funcionamiento de la puerta con un profesional. Vuelva a ajustar las posiciones de recorrido extremo (Posiciones de ajuste de los pasos 1 y 2).
La puerta aprieta las posiciones de recorrido extremo.	No se ha logrado la posición del ajuste óptimo de las posiciones del ajuste extremo.	Vuelva a ajustar las posiciones de ajuste del recorrido (Posiciones de ajuste de los pasos 1 y 2).
Después de cerrar, la puerta se abre un poco dejando un espacio.	La puerta se bloquea justo antes de la posición de cerrar.	Quite la obstrucción o vuelva a ajustar la posición de ajuste del recorrido extremo de CERRAR (Posición de ajuste del paso 2).
La puerta no responde a la señal del control remoto pero sí responde al botón pulsador en el control de pared.	Batería débil en el control remoto. Antena no enchufada o no alineada correctamente. Control remoto no programado.	Cambie la batería. Enchufe o alinee la antena. Programa el control remoto.
La puerta no responde a la señal del control remoto o de cualquier otro dispositivo de control.	Vea la presentación de diagnóstico.	Vea la presentación de diagnóstico.
Insuficiente alcance del control remoto.	Batería débil en el control remoto. Antena no enchufada o no alineada correctamente. Apantallado en sitio, de la señal receptora.	Cambie la batería. Enchufe o alinee la antena. Conecte la antena externa (accesorio).

**PRESENTACIÓN DE DIAGNÓSTICO. Durante el funcionamiento, la presentación proporciona información de diagnóstico sobre posible fallas.**

Número	Condición	Qué hacer
0	El operador arranca y el "0" se apaga	Funcionamiento normal.
2	El Safe-T-Beam es interrumpido.	Vea la tabla de la Investigación de averías del sistema Safe-T-Beam de autodiagnóstico (página 25).
7	El interruptor de bloqueo de vacaciones está en posición bloqueada.	Cambie el interruptor a la posición no bloqueada.
3	El motor se ha parado.	Llame al Servicio al cliente al 1-800-784-5028.
4	Señal permanente de la consola de pared.	Verifique si el botón de la consola de pared está atascado.
5	Un error ha ocurrido en la posición del ajuste del límite de arriba o abajo.	Recorrido demasiado largo. Repita el procedimiento de la posición de ajuste (Posiciones de ajuste de los pasos 1 y 2).
0	El "0" se presenta durante el siguiente ciclo de cerrar y abrir y luego se apaga. Continúa presentándose el "0".	El abridor está confirmado al funcionamiento normal después que se haya corregido un error. No se necesita hacer nada.

**DEPANNAGE D'ORDRE GENERAL Chaque fois que des travaux sont effectués sur la tête motorisée, toujours débrancher en premier !**

Problème	Cause possible	Que faut-il faire ?
Si la porte ne s'ouvre ou ne se ferme pas totalement.	La quincaillerie de la porte à changer Les positions de fin de course sont incorrectement réglées.	Consulter un professionnel pour faire vérifier la porte. Régler à nouveau les positions de fin de course (étapes de réglage 1 et 2).
L'ouvre-porte s'appuie sur les positions de fin de course.	Le réglage optimal des positions de fin de course n'a pas été exécuté.	Régler à nouveau les positions de fin de course (étapes de réglage 1 et 2).
Après la fermeture, la porte s'ouvre légèrement et il y a un intervalle.	La porte se bloque avant la position fermée	Enlever l'obstacle ou régler à nouveau la position de fin de course de fermeture (étape 2 du réglage).
La porte ne répond pas au signal de la télécommande mais au bouton ou à la commande murale	Pile faible dans la télécommande L'antenne n'est pas branchée ou est alignée incorrectement. La télécommande n'est pas programmée.	Remplacer les piles. Brancher ou aligner l'antenne. Programmer la télécommande.
La porte ne répond pas au signal de la télécommande ou d'autres appareils de commande.	Voir l'affichage de diagnostic.	Voir l'affichage de diagnostic.
Plage insuffisante de la télécommande.	Pile faible dans la télécommande L'antenne n'est pas branchée ou est alignée incorrectement. Filtre sur site du signal de réception.	Remplacer les piles. Brancher ou aligner l'antenne. Connecter une antenne externe (accessoire).

**AFFICHAGE DIAGNOSTIC pendant l'opération, l'affichage fournit des informations sur le diagnostic de problèmes éventuels.**

Numéro	Condition	Que faut-il faire ?
0	L'opérateur démarre et passe à 0	Fonctionnement normal
2	Système Safe-T-Beam® est interrompu.	Voir le tableau Dépannage auto-diagnostique du système Safe-T-Beam® (page 25).
7	Le commutateur de verrouillage pour vacances est en position verrouillée.	Placer le commutateur en position déverrouillée.
3	Le moteur s'est arrêté.	Appeler le Service clientèle : +1 (800) 784-5028.
4	Signal permanent de la console murale :	Vérifier la console. Un bouton est certainement coincé.
5	Une erreur s'est produite pendant le réglage de la limite supérieure ou inférieure.	Course trop longue. Répéter la procédure de réglage (étapes 1 et 2).
0	Un 0 s'affiche pendant le cycle suivant d'ouverture et de fermeture puis s'éteint. Un 0 reste affiché.	L'ouvre-porte confirme un fonctionnement normal après la rectification de l'erreur. Aucune action n'est requise.

## INSTRUCCIONES DE SEGURIDAD IMPORTANTES

### ⚠️ ADVERTENCIA PARA DISMINUIR EL RIESGO DE LESIONES GRAVES O LA MUERTE

- 1 LEA Y SIGA TODAS LAS INSTRUCCIONES.
- 2 Nunca deje que los niños hagan funcionar o jueguen con los controles de la puerta. Mantenga el control remoto alejado de los niños.
- 3 Siempre mantenga a la vista la puerta en movimiento y alejada de las personas y objetos hasta que la puerta esté totalmente cerrada. NADIE DEBE CRUZAR EL RECORRIDO DE LA PUERTA ESTANDO ESTA EN MOVIMIENTO.
- 4 NUNCA VAYA DEBAJO DE UNA PUERTA DETENIDA, PARCIALMENTE ABIERTA.
- 5 Pruebe mensualmente el abridor. La puerta DEBE invertir el recorrido al entrar en contacto con un objeto de 1-1/2" de altura (o una madera de 2" x 4" puesta de plano) en el centro del vano de la puerta, sobre el piso. Después de ajustar el límite del recorrido, vuelva a probar el abridor de puertas. La falla de ajustar correctamente el abridor puede causar lesiones graves o la muerte.
- 6 Cuando sea posible, use solamente el desenganche de emergencia cuando la puerta esté cerrada. Tenga cuidado al usar este desenganche con la puerta abierta. Los resortes débiles o rotos son capaces de aumentar la velocidad del cierre de la puerta y aumentar el riesgo de lesiones graves o la muerte.
- 7 MANTENGA CORRECTAMENTE EQUILIBRADA LAS PUERTAS DE GARAJES. Vea el Manual del propietario. Una puerta incorrectamente equilibrada aumenta el riesgo de lesiones graves o la muerte. Mande hacer reparaciones a los cables, conjunto de resortes y otros herrajes con un agente autorizado de fábrica de las puertas Overhead.
- 8 GUARDE ESTAS INSTRUCCIONES.

## IMPORTANTES CONSIGNES DE SECURITE

### ⚠️ AVERTISSEMENT POUR RÉDUIRE LES RISQUES DE BLESSURES GRAVES OU DE MORT

1. LIRE ET RESPECTER TOUTES LES INSTRUCTIONS.
2. Ne jamais permettre aux enfants d'actionner ou de jouer avec les commandes de la porte. Garder les télécommandes hors de la portée des enfants.
3. Toujours garder en vue la porte en mouvement et tenir à l'écart toute personne ou objet jusqu'à ce que la porte soit totalement fermée. NE JAMAIS PASSER SOUS LA PORTE EN MOUVEMENT.
4. NE JAMAIS PASSER SOUS UNE PORTE À L'ARRÊT PARTIELLEMENT OUVERTE.
5. Tester l'ouvre-porte tous les mois. La porte de garage DOIT inverser sa course au contact d'un objet de 1-1/2 po (colombe de 2 sur 4) posé sur le sol au centre de l'ouverture de la porte. After adjusting the Limit of travel, retest the Door Opener. Un mauvais réglage de l'ouvre-porte peut entraîner des blessures graves voire la mort.
6. Utiliser, dans la mesure du possible le déclenchement d'urgence uniquement lorsque la porte est fermée. Utiliser le déclenchement avec prudence lorsque la porte est ouverte. Des ressorts faibles ou brisés peuvent faire descendre la porte rapidement ce qui peut entraîner des blessures graves voire la mort.
7. VEILLER À CE QUE LES PORTES SOIENT CORRECTEMENT ÉQUILIBRÉES. Voir le Guide de l'utilisateur. Une porte déséquilibrée pourrait entraîner de graves blessures voire la mort. Demander à un revendeur agréé de porte basculante de se charger des réparations des câbles, des ressorts et de toute autre quincaillerie.
8. CONSERVER CES INSTRUCTIONS.

### ⚠️ ADVERTENCIA

Use la consola de pared que se incluye con el abridor. Cualquier otra consola de pared puede hacer que el abridor funcione inesperadamente y que la luz deje de funcionar.

### ⚠️ AVERTISSEMENT

Utiliser la console murale jointe à l'ouvre-porte. Toute autre console murale risque d'entraîner un fonctionnement inattendu de l'ouvre-porte et nuire au fonctionnement de l'éclairage.

## GUÍA DE INVESTIGACIÓN DE AVERÍAS

Investigación de averías autodiagnóstico del sistema Safe-T-Beam

Fuente (Diodo luminoso rojo)	Detector (Diodo luminoso verde)	Posible problema	Solución
ENCENDIDO	ENCENDIDO	Funcionamiento normal	Nada se requiere
APAGADO	APAGADO	<ul style="list-style-type: none"> <li>• Caja de control sin corriente eléctrica</li> <li>• Malo el alambrado de la caja de control</li> </ul>	<ul style="list-style-type: none"> <li>• Verifique los interruptores, fusibles, enchufes</li> <li>• Verifique el alambrado si tiene corto circuitos</li> </ul>
APAGADO	ENCENDIDO	<ul style="list-style-type: none"> <li>• Malo o falta el alambrado a la fuente</li> <li>• La corriente ha sido interrumpida</li> </ul>	<ul style="list-style-type: none"> <li>• Verifique el alambrado</li> <li>• Desconecte la corriente y vuelva a aplicar</li> </ul>
2 PARPADEOS, Pausa, (repita)	ENCENDIDO	<ul style="list-style-type: none"> <li>• Haz luminoso no alineado</li> <li>• Haz luminoso obstruido</li> <li>• Defectuoso el detector</li> </ul>	<ul style="list-style-type: none"> <li>• Verifique la alineación del detector y la fuente</li> <li>• Verifique la obstrucción</li> <li>• Comuníquese con el Servicio al cliente.</li> </ul>
2 PARPADEOS, Pausa, (repita)	APAGADO	<ul style="list-style-type: none"> <li>• Malo o falta el alambre al detector</li> <li>• Defectuoso el detector</li> </ul>	<ul style="list-style-type: none"> <li>• Verifique el alambrado</li> <li>• Comuníquese con el Servicio al cliente</li> </ul>
3 PARPADEOS, Pausa, (repita)	ENCENDIDO	<ul style="list-style-type: none"> <li>• El detector recibiendo interferencias</li> </ul>	<ul style="list-style-type: none"> <li>• Determine la fuente de las interferencias</li> <li>• Comuníquese con el Servicio al cliente</li> </ul>
4 PARPADEOS, Pausa, (repita)	ENCENDIDO	<ul style="list-style-type: none"> <li>• La fuente no envía impulsos</li> <li>• Defectuosa la fuente</li> </ul>	<ul style="list-style-type: none"> <li>• Comuníquese con el Servicio al cliente</li> <li>• Comuníquese con el Servicio al cliente</li> </ul>

## TROUBLESHOOTING GUIDE

Dépannage auto-diagnostique du système Safe-T-Beam®

Source (diodo rojo)	Détecteur (diodo verde)	Problème possible	Solution
ALLUMÉ	ALLUMÉ	Funcionamiento normal	Aucune
ÉTEINT	ÉTEINT	<ul style="list-style-type: none"> <li>• Tête motorisée non alimentée</li> <li>• Mauvais câblage de la tête motorisée</li> </ul>	<ul style="list-style-type: none"> <li>• Inspecter le disjoncteur, les fusibles, les fiches</li> <li>• Inspecter le câblage pour détecter tout court-circuit.</li> </ul>
ÉTEINT	ALLUMÉ	<ul style="list-style-type: none"> <li>• Fil à la source absent ou mauvais</li> <li>• Alimentation coupée</li> </ul>	<ul style="list-style-type: none"> <li>• Vérifier câblage</li> <li>• Couper le courant et remettre sous tension</li> </ul>
2 CLIGNOTEMENTS, pause et à nouveau	ALLUMÉ	<ul style="list-style-type: none"> <li>• Faisceau non aligné</li> <li>• Faisceau obstrué</li> <li>• Détecteur défectueux</li> </ul>	<ul style="list-style-type: none"> <li>• Vérifier l'alignement source et détecteur.</li> <li>• Vérifier la présence d'obstruction.</li> <li>• Contacter le service clientèle</li> </ul>
2 CLIGNOTEMENTS, pause et à nouveau	ÉTEINT	<ul style="list-style-type: none"> <li>• Fil au détecteur absent ou mauvais</li> <li>• Détecteur défectueux</li> </ul>	<ul style="list-style-type: none"> <li>• Vérifier câblage</li> <li>• Contacter le service clientèle</li> </ul>
3 CLIGNOTEMENTS, pause et à nouveau	ALLUMÉ	<ul style="list-style-type: none"> <li>• Interférence captée par détecteur</li> </ul>	<ul style="list-style-type: none"> <li>• Déterminer la source d'interférence</li> <li>• Contacter le service clientèle</li> </ul>
4 CLIGNOTEMENTS, pause et à nouveau	ALLUMÉ	<ul style="list-style-type: none"> <li>• Source n'envoie pas d'impulsions</li> <li>• Source défectueuse</li> </ul>	<ul style="list-style-type: none"> <li>• Contacter le service clientèle</li> <li>• Contacter le service clientèle</li> </ul>

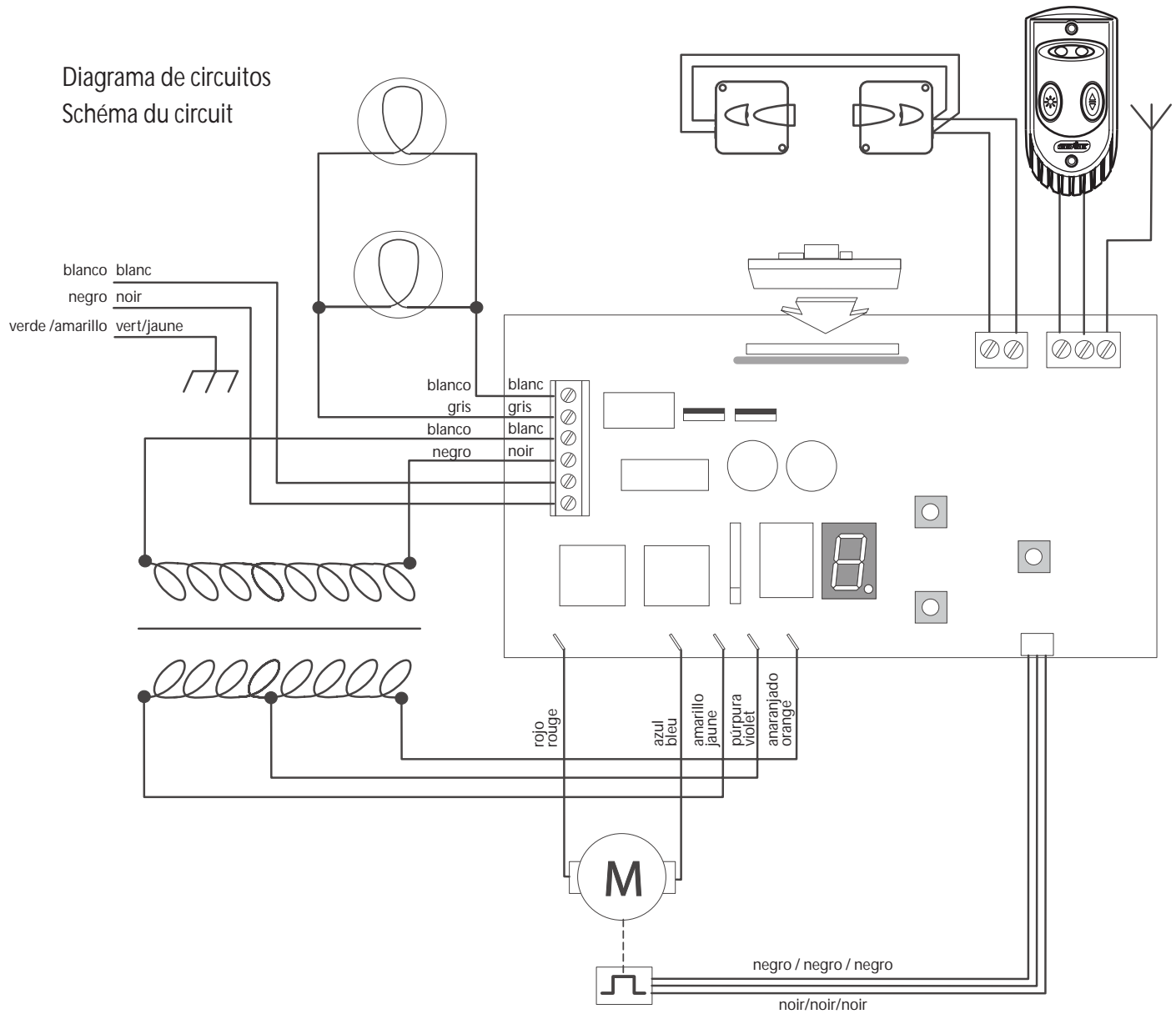


# DIAGRAM DE CONEXIONES

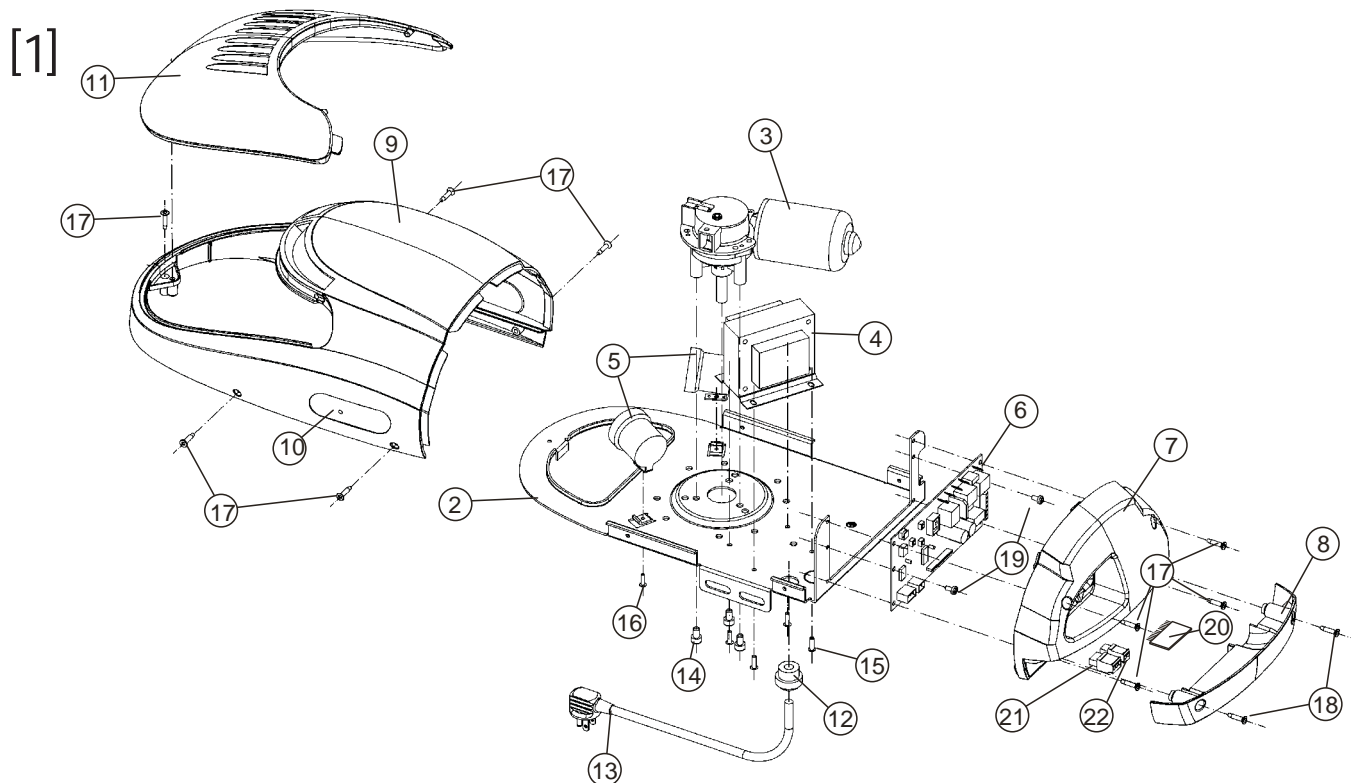
**ADVERTENCIA** Al abrir la tapa pueden producirse choques eléctricos

# SCHEMA DE CÂBLAGE

**AVERTISSEMENT** La couverture ouvrant a pour r'esultat le choc electrique



## VISTA AUMENTADA DEL CONJUNTO DE LA CAJA DE CONTROL VUE ÉCLATÉE DE LA TÊTE MOTORISÉE



### VISTA AUMENTADA DEL CONJUNTO DE LA CAJA DE CONTROL

Ítem	Nombre de la pieza
1	Conjunto de la caja de control
2	Placa superior
3	Conjunto del motor
4	Conjunto del transformador
5	Conjunto del casquillo
6	Conjunto del tablero de control
7	Tapa del panel
8	Tapa del terminal
9	Tapa principal
10	Marbete engomado
11	Lente
12	Protección contra tirones
13	Conjunto del enchufe y cordón
14	Tornillo, M6 x 10
15	Remache, 4 x 9.5
16	Remache, 3.2 x 8.0
17	Tornillo, M4 x 16
18	Tornillo, B4.2 x 16
19	Tornillo, M4 x 8
20	Receptor de dos frecuencias 315 / 390
21	Enchufe conector de 3 espigas
22	Enchufe conector de 2 espigas

### NOMENCLATURE DES PIÈCES DE LA TÊTE MOTORISÉE

Élément	Nom de la pièce
1	Tête motorisée
2	Plaque supérieure
3	Moteur
4	Transformateur
5	Douille d'éclairage
6	Carte de commande
7	Couvercle du panneau
8	Couvercle de borne
9	Couvercle principal
10	Étiquette
11	Lentille
12	Serre-câble
13	Cordon et fiche
14	Vis, M6 x 10
15	Rivet, 4 x 9,5
16	Rivet, 3,2 x 8,0
17	Vis, M4 x 16
18	Vis, B4.2 x 16
19	Vis, M4 x 8
20	Récepteur double 315/390
21	Connecteur fiche à 3 broches
22	Connecteur fiche à 2 broches

