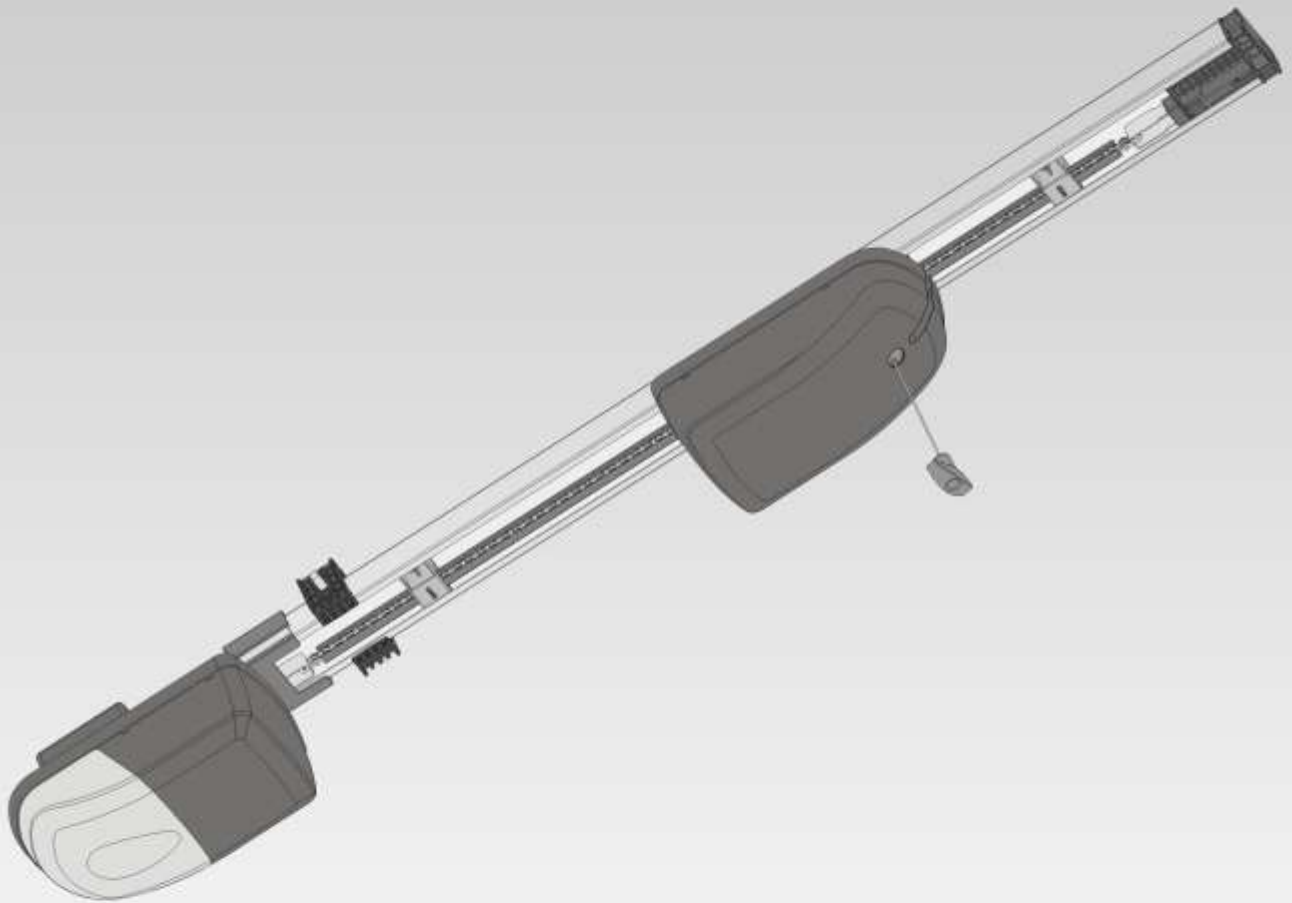


AVANTI

Sectional and Tilting Door Opener

SDO-21 DP (Dual Power)



*Installation Instructions
and
User Guide*

CONTENTS

Important Safety Recommendations	4
Warranty Exclusions	5
Assembly Instructions	6
Identify Garage Door Type	6
Identify Installation Method	6
Assembly	6
Installation Instructions	9
Header Bracket Mounting	9
Towing Bracket Mounting	9
Attaching Drive Rail to Header Bracket	9
Mounting Drive Rail Assembly to Ceiling	10
Attaching Bent Towing Arm	11
Connecting to Power Supply	11
Engaging / Disengaging	11
Settings and Adjustments	12
Door Travel Adjustment	12
Safety Obstruction Force Adjustment	12
Adaptive Mode	13
Manual Mode	14
Options and Features	16
Accessory Connections	16
Auto Close	16
Back Jump	16
Battery Back-Up	17
Dual Power	17
Control Box	18
Courtesy Lamp	20
Dip Switches	20
Door Service Monitor	20
Hand Transmitters	21
Learn Button	21
LED Indicator	22
Run Button	22
Safety Beams	22
Safety Reverse	23
Soft Start	23
Soft Stop	23
Speed Control	24
Vacation Mode	24
Wall Switch (hard wired)	24
Wall Switch (wireless)	25
Maintenance	25
Technical Specifications	25
Trouble Shooting Guide	26

IMPORTANT SAFETY RECOMMENDATIONS

FAILURE TO COMPLY WITH THE FOLLOWING SAFETY RECOMMENDATIONS MAY RESULT IN SERIOUS PERSONAL INJURY, DEATH AND / OR PROPERTY DAMAGE.

1. **PLEASE READ CAREFULLY AND ADHERE TO ALL SAFETY AND INSTALLATION RECOMMENDATIONS**
2. **The installation of your new Automatic Garage Door Opener (herein after referred to as “AGDO”) must be carried out by a technically qualified or licensed person. Attempting to install or repair the AGDO without suitable technical qualification may result in severe personal injury, death and / or property damage.**
3. The AGDO must only be installed on a properly balanced well functioning garage door. An improperly balanced or malfunctioning garage door could cause serious personal injury, death and / or property damage. Have a qualified person check and if required, make repairs to your garage door **before** installing the AGDO. The garage door is deemed to be well balanced and aligned if it;
 - a. requires an equivalent amount of applied force to either manually open or close, and
 - b. requires no more than 150N (15kg) of applied force to either manually open or close, and
 - c. does not rise or fall more than 100mm when released at any point between fully open or fully closed positions, and
 - d. does not rub on or incorrectly make contact with any supporting or surrounding structures, and
 - e. the horizontal tracks have been installed level, and
 - f. the door panels have been installed level, and
 - g. the vertical tracks have been installed plum, and
 - h. the junction between the curved horizontal track and the vertical track does not cause the door to “jump”
4. The counter balance springs on sectional type garage doors **must** be properly lubricated between all of the coils with heavy automotive bearing grease. Failure to adequately lubricate the springs may result in one or more of the following symptoms:
 - a. Counter balance springs may become rusty over time resulting in additional operating friction between the coils which may cause the AGDO to malfunction.
 - b. Seasonal temperature changes may cause the garage door springs to expand and / or contract. The resultant increase and / or decrease in operating friction may cause the AGDO to malfunction. Properly lubricating the springs will help to minimize changes in operating friction due to the effects of seasonal temperature change.
5. Remove or render inoperative all existing locks and ropes prior to installation of the AGDO.
6. Repairs to the garage door must be carried out by technically qualified persons. Attempting to repair the garage door without suitable technical qualification may result in severe personal injury, death and / or property damage.
7. Where possible, install the AGDO at least 2 meters or more above the ground. Adjust the Engage / Disengage Cord so that it hangs approximately 1.8 meters from the ground.
8. The Header Bracket carries ALL of the opening and closing thrust of the AGDO and as such must be securely fastened to a rigid, structural member of the garage wall or ceiling. It is entirely up to the installer to determine the fixing method and the structural suitability of the fixing points.
9. The ceiling structure must be adequate to support the weight of the GDO. It is entirely up to the installer to determine the structural suitability of the fixing points.
10. The Engage / Disengage Instruction Tag must remain attached to the Engage / Disengage Cord.
11. Locate the Wall Switch;
 - a. within site of the garage door, and
 - b. at a minimum height of 1.5 meters above the ground so that it remains out of the reach of small children, and
 - c. away from all moving parts of the garage door
12. The Entrapment Warning Label must be secured in a prominent position adjacent to the wall switch.
13. The AGDO must be connected to a **properly earthed** general purpose 230 ~ 240VAC power outlet which has been installed by a qualified electrical contractor.
14. Do not connect the AGDO to the power outlet until this manual instructs you to do so..

IMPORTANT SAFETY RECOMMENDATIONS

15. Subsequent to installation and adjustment, the AGDO the garage door **must** stop and reverse direction when it comes into contact with a 35mm high solid object placed on the floor under the garage door.
16. The correct function of the Safety Obstruction Force System should be checked on a monthly basis.
17. Never use the AGDO unless the garage door is in full view and free from any object which may impede the movement of the garage door such as cars, children and / or adults.
18. Never allow children to operate the AGDO.
19. Never operate the AGDO when any persons are under or near the path of the garage door. Children **must** be supervised at all times when near the garage door and when the AGDO is in use.
20. Never attempt to disengage the AGDO to manual operation when there are children / persons and / or solid objects including motor vehicles under or near the path of the garage door as the garage door may fall sharply upon Manual Release from the AGDO.
21. Never attempt to open or close the garage door by pulling on the Engage / Disengage Cord.
22. Never attempt to make any repairs or remove covers from the AGDO without first disconnecting the power supply cord from main power supply.
23. Removal of the AGDO's protective covers must only be performed by a technically qualified person. Attempting to remove the protective covers or repair the AGDO without suitable technical qualification may result in severe personal injury, death and / or property damage.
24. For additional safety we strongly recommend the inclusion of Safety Beams. Although the AGDO incorporates a pressure sensitive Safety Obstruction Force system the addition of Safety Beams will greatly enhance the operating safety of an automatic garage door and provide additional peace of mind. In some countries it is a mandate of law to fit Safety Beams. It is the sole responsibility of the owner / installer to fit Safety Beams in those countries that so require.
25. Always ensure that the garage door is fully open & stationary before driving in or out of the garage.
26. Always ensure the garage door is fully closed and stationary before moving out of its view.
27. Adjustments to the Safety Stop / Reverse Force settings must only be carried out by a technically qualified person. Attempting to adjust the settings without suitable technical qualification may result in severe personal injury, death and / or property damage.
28. Keep hands and loose clothing clear of the AGDO and garage door at all times.
29. In order for the Safety Obstruction Force system to function it must first encounter an obstruction in the form of an object / person on to which some force **MUST** be exerted. As a result the object / person / garage door may suffer **DAMAGE AND / OR INJURY**.
30. **The Safety Obstruction System is designed to work on STATIONARY objects only. Serious personal injury, death and / or property damage may occur if the garage door comes into contact with a moving object during an open or close cycle**

Warranty Exclusions

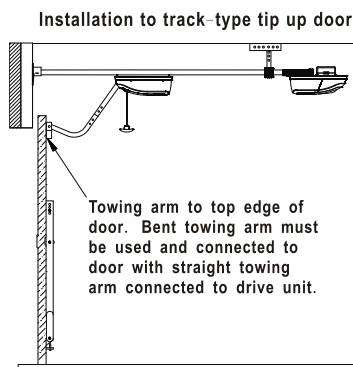
No claims whatsoever will be recognized under the terms of the AGDO's warranty which pertain to damage, injury, cost or expense, suffered by persons and / or to property, which either directly or indirectly arise out of any one of the following occurrences;

- i. **Failure to install the AGDO in accordance with the captioned instructions.**
- ii. **The garage door coming into contact with a moving object. (refer Point 30 in the above)**
- iii. **The AGDO being used for other than a maximum 4 car residential application.**
- iv. **Installing the AGDO on an improperly balanced and / or poorly functioning and / or misaligned garage door. (refer Point 3 in the above)**
- v. **Failure to adequately lubricate the garage door counter balance springs. (refer point 6 in the above)**
- vi. **Failure to adequately fix the GDO to the garage structure**
- vii. **Attempting to open or close the garage door by pulling directly on the Manual Release Cord.**
- viii. **Manually releasing the garage door in any position other than when it is fully closed.**
- ix. **Failure to connect the AGDO to a properly earthed power supply**
- x. **Note: Light bulb failures are not covered under the terms of this product's warranty**

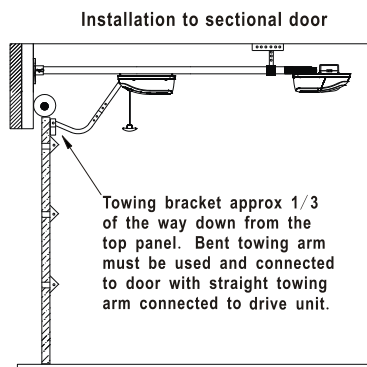
ASSEMBLY INSTRUCTIONS

1. Identify Garage Door Type

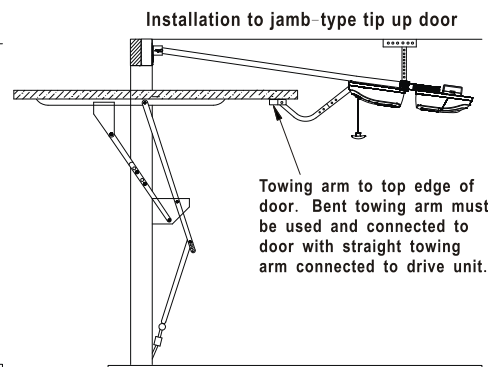
- Identify the garage door type and then select the preferred installation method (Sec.2) and assembly type (Sec.3) that is best suited to the application.



Method A



Method B



Method C

2. Identify Installation Method

Methods A & B – Sectional Door & Track Type Tip-Up Door

- Use 3000mm long one piece or 3000mm 3 piece Drive Rail
- The standard 3000mm Drive Rail will lift a door up to 2440mm high. (optional Drive Rail extension kit is available for doors over 2400mm high)
- AGDO is supported by Drive Rail Hanger which is hung from the ceiling by appropriate hanging material.
- Header Bracket may be mounted on front wall of garage or on ceiling adjacent to the front wall.

Method C – Jamb Type Tip-Up Door

- Use 2000mm long one piece or 2000mm long 3 piece Drive Rail
- AGDO is supported by Drive Rail Hanger which is hung from the ceiling by appropriate hanging material.
- Drive Rail must be angled as shown depicted in “Method C” so that underside of Drive Unit is in line with underside of the garage door when the garage door is in the fully open (horizontal) position.
- Header Bracket may be mounted on front wall of garage or on the ceiling adjacent to the front wall.

Independent Mounting of Control Box

- With either of the methods A, B or C the Control Box may be mounted independently of the Drive Rail.
- An optional instruction sheet and fitting kit;
 - i. “FKA” is available for mounting the Control Box on the ceiling adjacent to the Drive Rail
 - ii. “FKB” is available for mounting the Control Box on a side wall of the garage

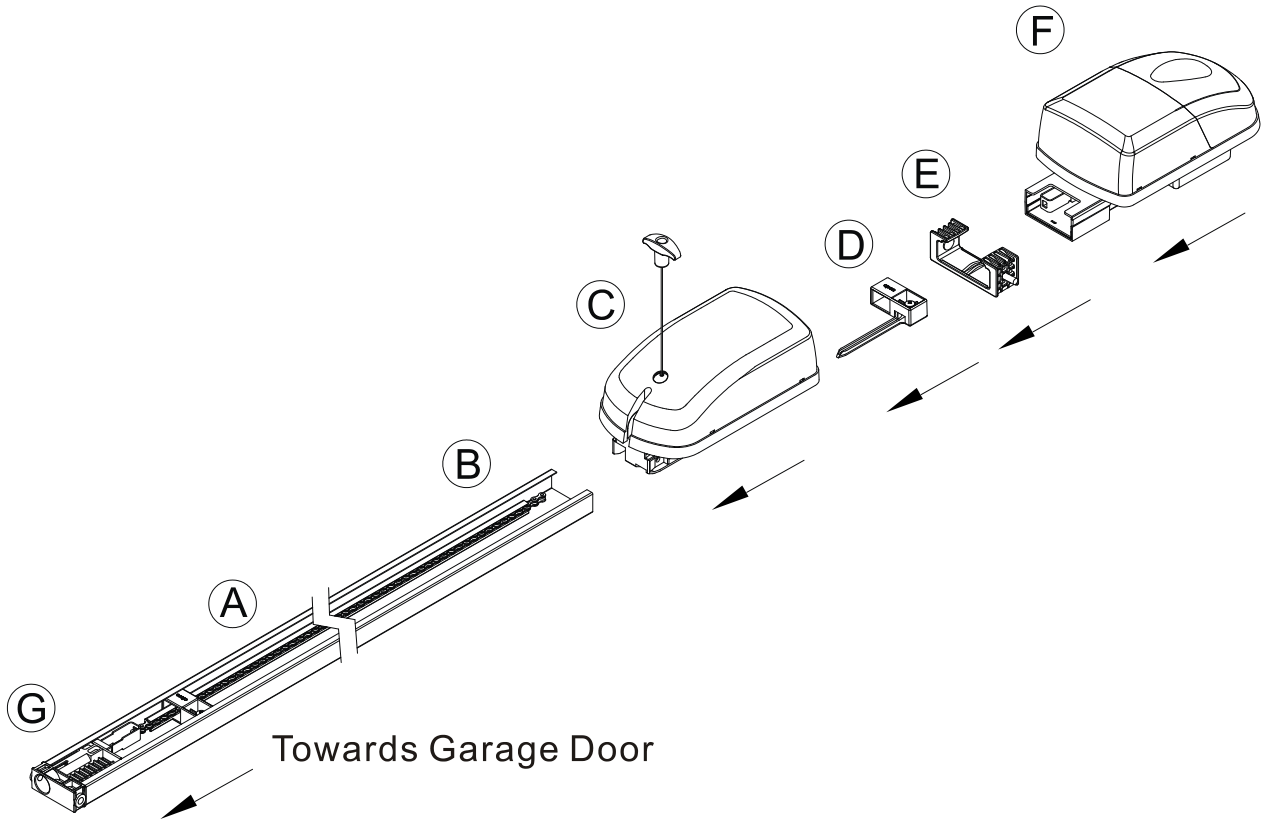
3. Assembly

3.1 General Assembly

- Open the packing carton and expose the AGDO components as depicted in Fig.1
- Orientate the Drive Rail (Fig.1-A) so that the Terminal Bracket (Fig.1-G) faces towards the garage door.
- Locate the Drive Unit (Fig.1-C) and slide it into the Drive Rail and at the same time insert the Drive Chain (Fig.1-B) into the Drive Unit. Slide the Drive Unit at least 500mm in from the end of the Drive Rail.
Note: Before attempting to insert the Drive Chain into the Drive Unit ensure that the Drive Unit is disengaged (Refer Sec.10)
- Locate the Close Limit Prong (Fig.1-D) and slide it into the Drive Rail
- Locate the Drive Rail Hanger (Fig.1-E) and slide it around the outside of the Drive Rail
- Insert the Control Box (Fig.1-F) into the Drive Rail

ASSEMBLY INSTRUCTIONS

- Insert the Drive Chain into the Tensioning Block (Fig.1A-F1) and then “Twist and Lock” the Drive Chain into place (Fig.1A-F2)
- Use a 12 mm socket wrench to tighten the Drive Chain Tensioner Bolt to the point where the underside of the Bolt Head aligns with the Indicator Arrow on the Terminal Bracket. (Fig.1B-G1)



(Sectional / Track Type Tip-Up assembly depicted)

Fig. 1

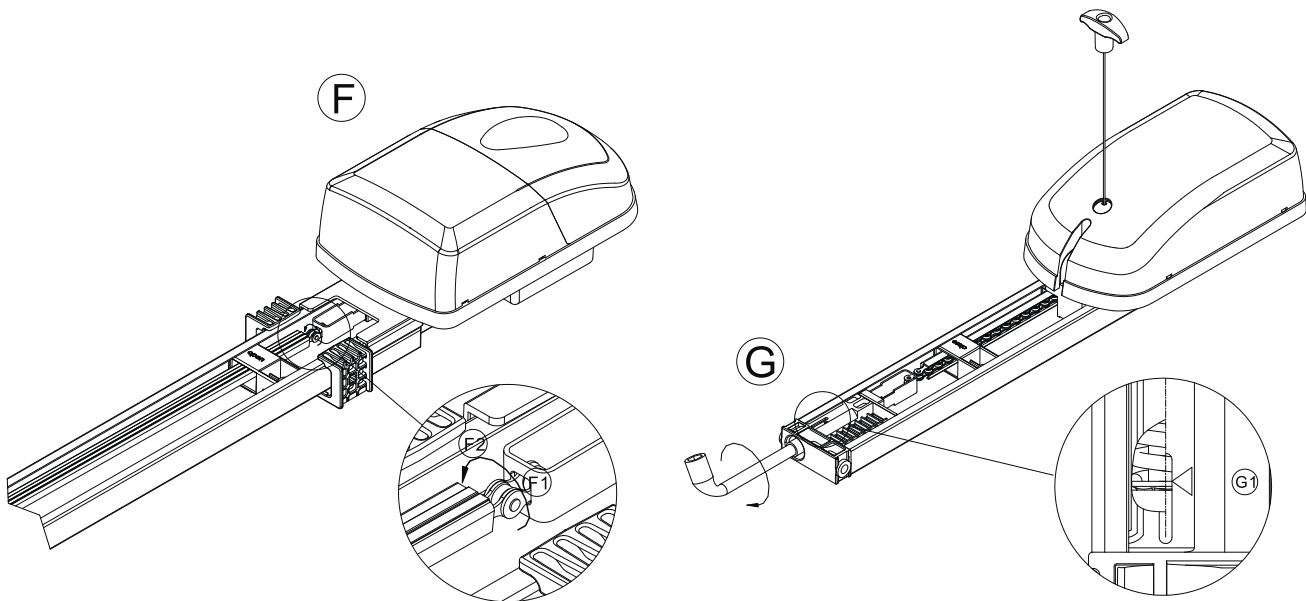


Fig. 1A

Fig. 1B

ASSEMBLY INSTRUCTIONS

3.2 Attaching Straight Towing Arm

- Remove the Drive Unit cover (Fig.2) by pulling outwards and upwards, on both sides, at the location marked by the arrow.
- Insert the Straight Towing Arm through the slot in the cover (Fig.2A)
Note: use the end of the arm which has only one single hole.
- Attach the arm to the Drive Unit using the short clevis pin and spring clip provided (Fig.2A) and then replace the cover.

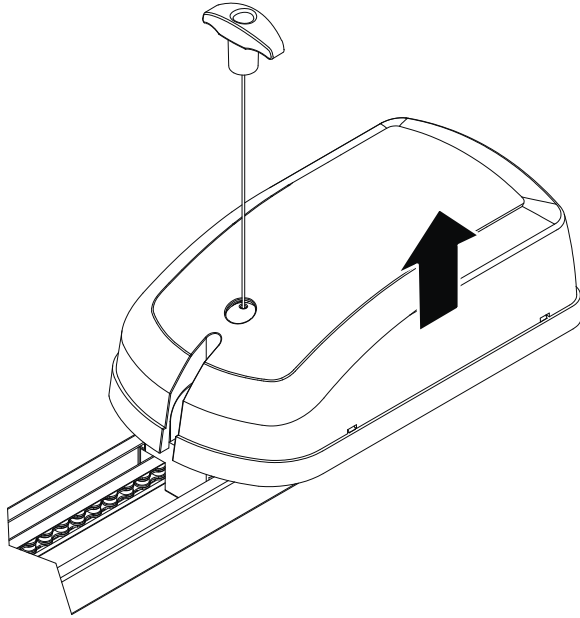


Fig. 2

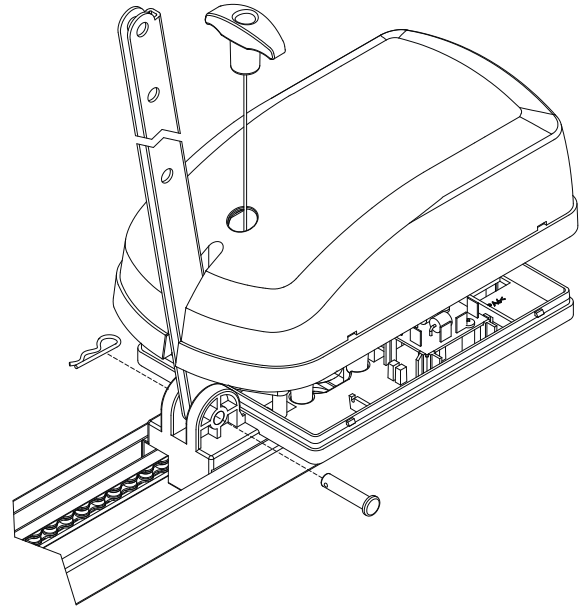


Fig. 2A

3.3 Options Selection

- Refer to “Options and Features” Sec. 13 ~ 33 and select the required Dip Switch functionality and external accessory wiring as required.
- To access the Dip Switches and Accessory Connectors remove the Control Box cover (Fig.3) by pulling outwards and upwards, on both sides, at the location marked by the arrow.
- Once functionality selection and wire connection has been completed replace the cover.
- The AGDO is now fully assembled and ready for installation.

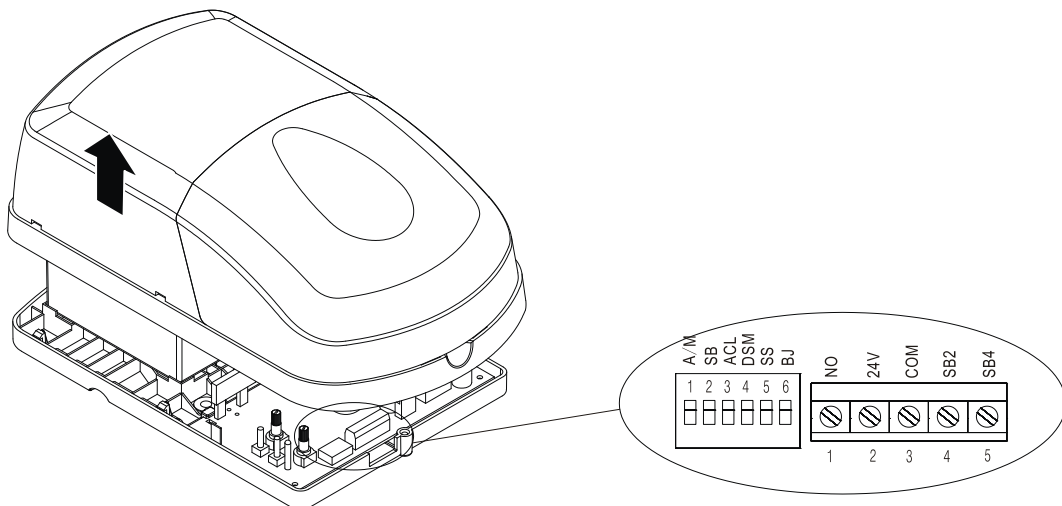


Fig. 3

INSTALLATION INSTRUCTIONS

4. Header Bracket Mounting

- **Important Note:** Before commencing the installation ensure that you have carefully read and understood the Safety Recommendations outlined in pages 4 and 5 of this manual. In particular, ensure that the installation of the garage door complies with the requirements specified in points 3, 4 and 5. Make any necessary adjustments to the garage door **BEFORE** commencing the installation!
- Determine the highest arcing point of the garage door and mark this as a horizontal line on the header above the top edge of the garage door. (Figs.4 & 5)
- Determine the Garage Door Center Line and mark a vertical line on the header above the door. (Fig.5)
- Place the Header Bracket on the wall as depicted in Fig.5 and ensure that the bottom edge of the bracket is **no more than 50mm above the Highest Arcing Point**. Mark the location of the 2 outer most screw holes.
- Drill 2 screw holes and use screws of at least 8mm dia. x 50mm long to secure Header Bracket to Header.
- **Important Notes:**
 - a. The Header Bracket carries **ALL** of the opening and closing thrust of the AGDO and as such must be securely fastened to a rigid, structural member of the garage. It is entirely up to the installer to determine the fixing method and the structural suitability of the fixing points.
 - b. Mounting the Drive Rail more than 50mm above the Highest Arcing Point of the garage door may cause the Drive Rail to flex excessively. Always ensure that the bottom edge of the Drive Rail is located within 50mm of the top edge of the top panel of the garage door. (Fig.7)

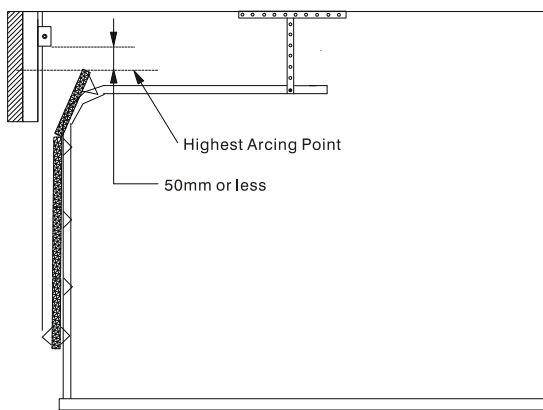


Fig. 4

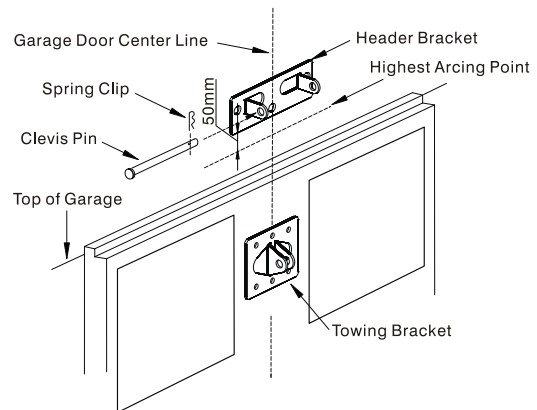


Fig. 5

5. Towing Bracket Mounting

- Determine the Garage Door Center Line (Fig.5) and affix the Towing Bracket to a structural member of the garage door. The Towing Bracket should be mounted with reference to the top edge of the garage door in accordance with the appropriate diagram as depicted in Sec.1 Method A,B or C
- Mark the location of the holes. (4 holes if using self drilling screws – 2 holes if using screws with nuts)
- Drill the screw holes with an appropriate drill and securely mount the Towing Bracket to the garage door using screws of at least 6mm dia.
- **Important Notes:**
 - a. It is recommended to use fixing screws and nuts rather than self drilling screws.
 - b. For a sectional type garage door the pivot point of the Towing Bracket should be located approx one third of the way down from the top edge of the top panel. For a tip-up type garage door the pivot point should be as close to the top edge of the garage door as possible.

6. Attaching Drive Rail to Header Bracket

- With the garage door in the fully closed position - lay the assembled AGDO on the garage floor in line with the centerline of the garage door so that the Control Box is furthest from the garage door.

INSTALLATION INSTRUCTIONS

- **Important Note:** avoid scratches and potential damage to the AGDO plastic covers by placing the **Control Box and Drive Unit on cardboard or foam.**
- Raise the Drive Rail up to the Header Bracket so that the Drive Rail sits in between the ears of the Header Bracket. (Fig.6)
- Align the mounting holes of the Header Bracket and Terminal Bracket and fully insert the long clevis pin and secure it with the spring clip.

7. Mounting Drive Rail Assembly to Ceiling

- Raise the Drive Rail assembly off the floor and rest it on a support high enough that the Drive Rail runs parallel to the ground. (Fig.7 depicts typical sectional type garage door installation)
- **Important Note: Do not lift the AGDO by the Control Box or damage may occur. Always lift the AGDO via the Drive Rail.**
- Carefully open the garage door and ensure that no part of it comes into contact with the Drive Rail or the Control Box during its entire movement.
- Align the Drive Rail with the centerline of the garage door.
- Slide the Drive Rail Hanger along the drive rail (up to max 600mm from the Control Box) in order to align it with a structural member of the garage. Securely fasten the Drive Rail Hanger to the structural member of the garage using 2 lengths of appropriate hanging material. (Fig.7)
- Once the Drive Rail is hung it should sit parallel to the floor along both planes. (For sectional and track-type tilt doors only. For jamb-type tilt door refer Pg.6 Method C)
- **Important Notes:**
 - a. **With the garage door in the fully open position the underside of the Drive Rail should be no more than 50mm above the highest arcing point for its entire length. Mounting the Drive Rail more than 50mm above the Highest Arcing Point of the garage door may cause the Drive Rail to flex excessively. (Fig. 7)**
 - b. **The ceiling structure must be adequate to support the weight of the AGDO. It is entirely up to the installer to determine the structural suitability of the fixing points.**

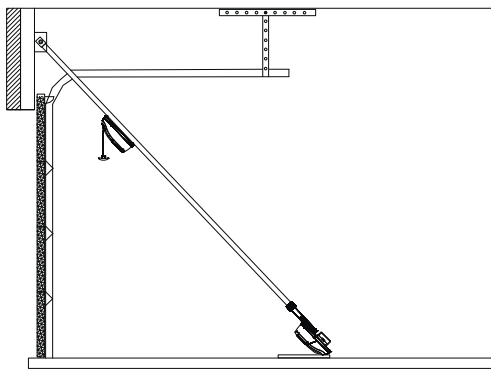


Fig. 6

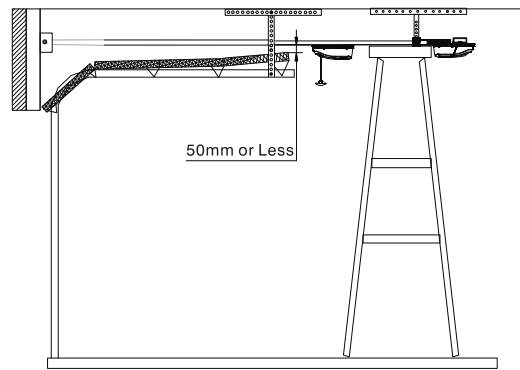


Fig. 7

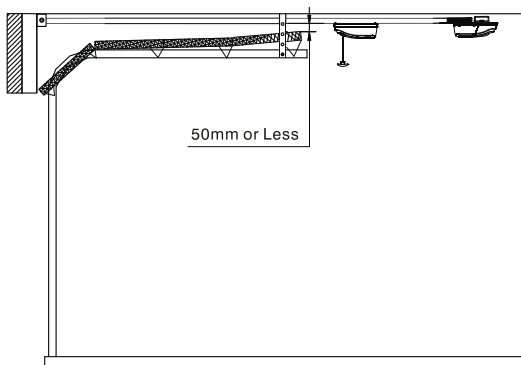


Fig. 8

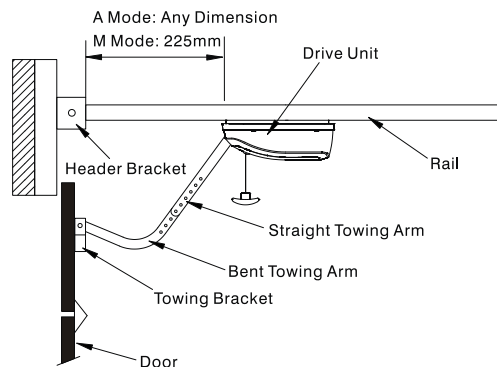


Fig. 9

INSTALLATION INSTRUCTIONS

8. Attaching Bent Towing Arm

- Close the garage door.
- Attach the Bent Towing Arm to the Towing Bracket (use the end of the arm which has only one hole)
- With the Drive Unit **disengaged** (Fig.10) position the Drive Unit in either one of the following ways;
 - i. Adaptive mode ~ any distance from the end of the Drive Rail. (Fig.9)
 - ii. Manual Mode ~ 225mm from the end of the rail to the front of the Drive Unit. (Fig.9)
- Bring the Straight and Bent Towing Arms together and align the 2 furthest apart sets of holes.
- **Important Note: The 2 arms should be connected in a way that makes them as long as possible.**
- Securely fix the arms together using 2 x 8mm screws and nuts.

9. Connecting to Power Supply

- Plug the AGDO into a properly earthed 230 ~ 240 VAC power outlet.
- Ensure that no excess power cord hangs below the Control Box.

10. Engaging / Disengaging

- The unique engage / disengage mechanism provides the following features:
 - a. Positive garage door locking even during power outages.
 - b. Re engagement in any position without the need to line up chain and carriage components.

Functionality

- TO DISENGAGE - pull down on the release handle (Fig.10) until a click is “felt” and then release the handle.
- TO ENGAGE - pull down on the release handle once again until a click is “felt” and then release the handle.
- **Important Notes:**
 - a. **Never attempt to open or close the garage door by pulling on the release handle. Doing so may result in SERIOUS PERSONAL INJURY and / or PROPERTY DAMAGE.**
 - b. **Always disengage the AGDO with the garage door in the fully closed position.**
 - c. **If attempting to disengage the AGDO from any position other than with the garage door fully closed ensure that there are no persons and / or property near or directly under the path of the door.**

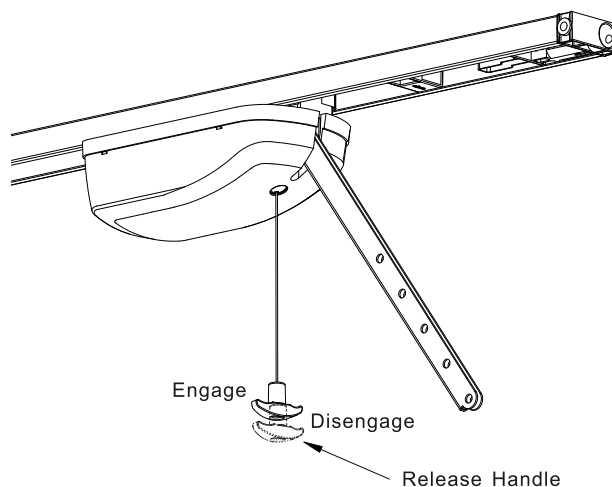


Fig. 10

SETTINGS AND ADJUSTMENTS

11. Door Travel Adjustment

- The Drive Rail mounted Limit Prongs provide a 1 to 1 ratio between Limit Prong movement and garage door movement thereby ensuring 100% accuracy and ease of adjustment. Garage door fully open and fully closed positions can be easily adjusted by moving the Limit Prong to the desired location in order to increase or decrease garage door travel.

Door Travel Adjustment – Close Direction

- Locate the Close Direction Limit Prong within the Drive Rail - nearest to front wall of garage (Fig.11)
- Loosen the Limit Prong Lock Screw by half a turn and slide the Limit Prong towards the front wall of the garage to increase garage door travel and away from the front wall to decrease garage door travel.
- Re tighten the Limit Prong Lock Screw once correct adjustment has been attained.
- Note: The Limit Prongs work on a one to one ratio with the garage door, meaning that if the Limit Prong is moved by 10 mm then the garage door will also move by 10 mm.

Door Travel Adjustment – Open Direction

- Locate the Open Direction Limit Prong within the Drive Rail – nearest to Control Box. (Fig.11)
- Loosen the Limit Prong Lock Screw by half a turn and slide the Prong towards the Control Box to increase garage door travel and away from the Control Box to decrease travel.
- Re-tighten the Limit Prong Lock Screw once correct adjustment has been attained.
- Note: The Limit Prongs work on a one to one ratio with the garage door - meaning that if the Limit Prong is moved by 10 mm then the garage door will also move by 10 mm.

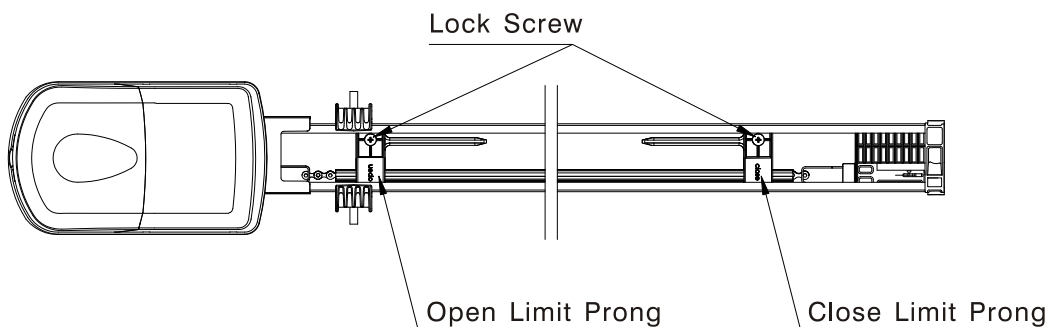


Fig. 11

12. Safety Obstruction Force Adjustment

- Dual Safety Obstruction Force Adjustment modes ensure that the AGDO can be optimized to suit virtually any sectional or tip-up type garage door.
- ADAPTIVE MODE – constantly monitors incremental drive force value changes that occur due to seasonal conditions and / or garage door aging. Adaptive Mode compensates for these variables by automatically adjusting Safety Obstruction Force values during every complete cycle, resulting in enhanced safety and minimized chances of garage door *ghosting. (Refer Sec.12.1 for set up details)
*Ghosting is defined as a Safety Stop or Safety Reverse without the garage door actually encountering an obstruction.
- MANUAL MODE – features conventional one time Safety Obstruction Force value adjustment and is more suited for use on badly worn or improperly balanced garage doors. (Refer Sec.12.2 for set up details)

SETTINGS AND ADJUSTMENTS

12.1 Adaptive (A) Mode

Enabling

- If Manual Mode is your desired selection then skip to Sec.12.2.
- If Adaptive Mode is already enabled then skip to the next section titled “Functionality”.
- To enable Adaptive Mode carry out the following procedure;
 - i. switch off power at power supply
 - ii. remove the Courtesy Lamp and Control Box Covers to expose the Control Board (Refer Sec.18 for removal and replacement details)
 - iii. select Dip switch No.1 to the “ON” position (Fig.16)
 - iv. replace the Control Box and Lamp Covers
 - v. switch power on at power supply

Functionality

- In order to learn the required run time and drive force values the AGDO will be required to complete 5 (manually activated) uninterrupted open and close cycles. (commencing from the Close Limit Point)
- During the course of the cycles the LED Indicator will quick flash and the operating parameters will be learned in the following order;
 - i. Open Stroke 1 – Alignment stroke
 - ii. Close Stroke 1 – Learn run time between Open Limit Point and Close Limit Point (during Close Cycle 1 the AGDO will not Slow Stop)
 - iii. Open Stroke 2 – Learn run time between Close Limit Point and Open Limit Point (during Open Cycle 1 the AGDO will not Slow Stop)
 - iv. Close Stroke 2 – Learn Drive Force Values between Open Limit Point and Close Limit Point
 - v. Open Cycle 3 – Learn Drive Force Values between Close Limit Point and Open Limit Point
- Once Learning has been successfully completed the LED Indicator will commence to slow flash.
- **Important Note: During initial power-up learning, the Safety Obstruction Force values of the AGDO default to a maximum setting. Encounter a solid obstruction during the course of the initial learning cycles may result in garage door damage. It is recommended that initial learning cycles be carefully supervised in order to prevent the possibility of the garage door hitting an obstruction causing personal and / or property damage.**

Safety Obstruction Force Adjustment

- Hinge open the Courtesy Lamp Cover (Fig.18) to expose the adjustment controls.
- Rotate the (green) “Offset” Adjustment Pin (Fig.17-G) in a clockwise direction to increase Safety Obstruction Offset Value and in an anti clockwise direction to decrease the value.
- The Safety Obstruction Offset Value may be adjusted within a range of 30N (3kg) ~ 100N (10kg)
- The selected value remains identical for both open and close direction travel.

Testing Open Direction Safety Obstruction Force Value

- With the garage door in the **fully closed** position – stand in the middle of the garage doorway and just behind the path of the garage door.
- Activate the AGDO so that the garage door begins to open.
- When the garage door has opened to approx 450mm from the ground apply some firm downward force to one of the structural members of the garage door.
- If the Safety Obstruction Force Value is correct the AGDO will stop (Safety Stop) the garage door upon sensing the applied force.
- If too little or too much force is required to make the AGDO stop - turn the (green) “Offset” Adjustment Pin (Fig.18 - G) 5 degrees in the appropriate direction - clockwise to increase force - anti-clockwise to decrease force - and then repeat the previous testing steps.

SETTINGS AND ADJUSTMENTS

Testing Close Direction Safety Obstruction Force Value

- With the garage door in the **fully open** position - stand in the middle of the garage doorway and just behind the path of the garage door.
- Ensure that the Close Limit Travel Adjustment (Sec.11) has been set so that bottom of the garage door is resting firmly against the ground.
- Place a 32mm thick block of wood under the line of the garage door (approx at the mid point of the garage door) so that the garage door will close onto the block of wood.
- Activate the AGDO so that the garage door begins to close.
- If the Safety Obstruction Force Value is correct the AGDO will stop and reverse the direction of the garage door (Safety Reverse) upon encountering the block of wood.
- If too little or too much force is required to make the AGDO Safety Reverse - turn the (green) “Offset Adjustment Pin (Fig.18-G) 5 degrees in the appropriate direction - clockwise to increase force - anti-clockwise to decrease force - and then repeat the previous testing steps.

Forced Learn

- A Forced Learn may be initiated by holding down the “Learn” Button (Fig.18-D) for 2 sec – LED Indicator will begin to quick flash.
- Cycle the AGDO through 5 complete uninterrupted strokes (commencing from the close limit point) in order for it to complete the learning process.
- The LED Indicator will cease to *quick* flash once learning has been completed.
- **Important Note: During a Forced Learn the Safety Obstruction Force values default to a maximum setting. Encounter a solid obstruction during the course of the initial learning cycles may result in garage door and / or property damage. It is recommended that the learning cycles be carefully supervised during this time.**

Automatic Re-Learn

- A re-learn of Drive Force and Run Time parameters will be automatically initiated immediately subsequent to either one of the following occurrences;
 - a. Run Time deviation becoming excessive
 - b. Safety Reversing on 3 consecutive occasions
 - c. Safety Stopping on 3 consecutive occasions
- During this period the LED Indicator will quick flash.

12.2 Manual (M) Mode

Enabling

- If Adaptive Mode is your desired selection then refer to Sec.12.1
- To enable Manual Mode;
 - i. switch off power at power supply
 - ii. remove the Courtesy Lamp and Control Box Covers to expose the Control Board (Refer Sec.18 for removal and replacement details)
 - iii. select Dip switch No.1 to the “OFF” position (Fig.16)
 - iv. replace the Control Box and Lamp Covers
 - v. switch power on at power supply

Entering Safety Obstruction Force Adjustment Mode

- Hinge open the Courtesy Lamp Cover to expose the adjustment controls. (Fig.18)
- Press and hold down the “Learn” Button (Fig.18-D) for 2 sec - LED Indicator will commence a paused double flash.
- Safety Obstruction Force adjustment can be carried out while LED Indicator is “paused double flashing”

SETTINGS AND ADJUSTMENTS

- To close out Safety Obstruction Force Adjustment Mode momentarily press “Learn” Button.
- Note: Mode will close out automatically after 10 mins if not closed out manually beforehand.

Safety Obstruction Force Adjustment – Open Direction

- Hinge open the Lamp Cover (Fig.18-A) to expose the adjustment controls.
- With the garage door in the **fully closed** position - press the black “Run” Button (Fig.18-G) so that the garage door begins movement in the open direction.
- As the garage door is opening slowly turn the (green) Open / Offset Adjustment Pin (Fig.18-G) in an anti-clockwise direction until the garage door stops.
- Now turn the same pin clockwise 5 degrees.

Testing Safety Obstruction Force – Open Direction

- With the garage door in the **fully closed** position - stand inside the garage just behind the path of the garage door close to its middle position.
- Press the black “Run” Button (Fig.18-G) so that the garage door begins to open.
- When the garage door has opened by approx 450mm apply some firm downward force to one of its structural members.
- If the Safety Obstruction Force Adjustment is correct the AGDO will stop the garage door upon sensing the applied force.
- If too little or too much force is required to make the AGDO stop - rotate the (green) Open / Offset Adjustment Pin 5 degrees in the appropriate direction (clockwise to increase force, anti-clockwise to decrease force) and then repeat the previous testing steps.

Safety Obstruction Force Adjustment – Close Direction

- With the garage door in the **fully open** position, press the black “Run” Button (Fig.18-F) so that the garage door begins to close.
- As the garage door is closing - slowly turn the (red) Close / Speed Adjustment Pin (Fig.18-F) in an anti-clockwise direction until the garage door stops and begins to Safety Reverse.
- Now turn the same pin clockwise 5 degrees.

Testing Safety Obstruction Force – Close Direction

- With the garage door in the **fully open** position stand inside the garage just behind the path of the garage door close to its middle position.
- Ensure that the Close Limit Travel Adjustment (Sec.11) has been set so that bottom of the garage door is resting firmly against the ground.
- Press the black “Run” Button so that the garage door begins to close.
- Place a 32mm thick block of wood under the line of the garage door (approx at the mid point of the garage door) so that the garage door will close onto the block of wood.
- If the Safety Obstruction Force Adjustment is correct the AGDO will stop and reverse the direction of the garage door upon sensing the block of wood.
- If the AGDO stops but does not reverse then turn the (red) Close / Speed Adjustment Pin 5 degrees in an anti-clockwise direction. (Fig.18-F)

OPTIONS AND FEATURES

13. Accessory Connections

- 6 Output Terminals are provided to support the connection of the most common external accessories.
- The Output Terminals can be accessed by removing the Courtesy Lamp and Control Box Covers. (Refer Sec.18 for removal and replacement details)

Connection Diagrams

- a. Genuine 2 wire Safety Beams (Fig.12)
- b. 3rd party normally open 24VDC 4 wire Safety Beams (Fig.13)
- c. 24VDC universal receiver (Fig.14)
- d. Normally open momentary contact Wall Switch (Fig.15)

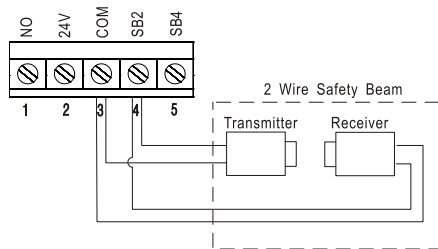


Fig. 12

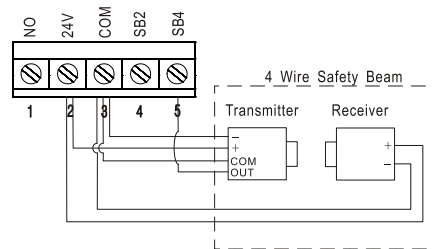


Fig. 13

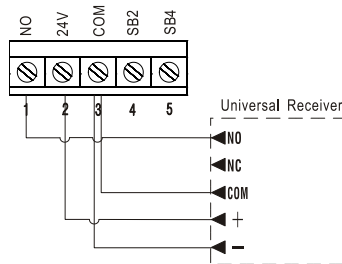


Fig. 14

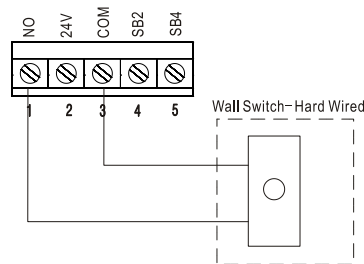


Fig. 15

14. Auto Close

- Auto Close can enhance the security of your property by ensuring that your garage door is never unintentionally left open.
- Auto Close will automatically close the garage door;
 - i. 3 sec after reaching the open limit point - provided that a person or object **has** passed through the Safety Beams during the open cycle, or
 - ii. upon expiry of the pre set 30sec delay time – provided that a person or car **has not** passed through the Safety Beams within the delay time
- Auto Close will only function when used in conjunction with Safety Beams.

Enabling

- i. Remove the Courtesy Lamp and Control Box Covers to expose the Control Board (Refer Sec.18 for removal and replacement details)
- ii. Select Dip Switch Nos.2 (SB) & 3 (AC) to the “ON” position. (Fig.16)
- iii. Replace the Control Box and Courtesy Lamp Covers once selection has been completed

15. Back Jump

- Back Jump will reverse the closed garage door by an incremental amount (1 ~ 5mm) in order to reduce motor gear lock up and ensure effortless disengagement in the event of power outage.

OPTIONS AND FEATURES

Enabling

- Remove the Courtesy Lamp and Control Box Covers to expose the Control Board (Refer Sec.18 for removal and replacement details)
- Select Dip Switch No.6 (BJ) to the “ON” position. (Fig.16)
- Replace the Control Box and Courtesy Lamp Covers.

16. Battery Back-Up

- For areas that suffer from frequent power outages the Transformer Powered AGDO can be supplied with an optional external battery power source thus ensuring uninterrupted use even during those times.

Connection

- Remove the Courtesy Lamp and Control Box Covers (Refer Sec.18 for removal and replacement details)
- Connect the Battery Back-Up connection cable to the Control Board terminals “+BBU-”
- Replace the Control Box and Courtesy Lamp Covers.
- Connect the Battery Back-Up power cable to a properly earthed 230 ~ 240VAC power supply.
- **Important Note: The Battery Back-Up system must be genuine Avanti brand**

17. Dual Powered AGDO

- The Dual Powered AGDO has built-in batteries which provide back-up power in the event of a power outage
- The batteries can provide up to 30 complete cycles of operation while the power supply is not active
- **Important Note: Batteries will suffer permanent damage if not charged within a 3 month period**

17.1 LED Indicator

- Will display green when power supply is active (Fig.18-C)
- Will display red when power supply is not active
- Will extinguish when AGDO enters Shut-Down Mode

17.2 Shut-Down Mode

- In the event of prolonged power outage the AGDO will automatically shut down (when battery voltage drops below 23 volts) in order to conserve remaining voltage - LED Indicator (Fig.18-C) will extinguish and the AGDO will cease to function.

Automatic Shut-Down

- Shut-down will only occur when the power supply is not active.
- Prior to shutting down a warning buzzer will;
 - a. Single “beep” every 30 seconds to indicate that power supply is not active.
 - b. Double “beep” every 30 seconds to indicate that the power supply is not active and that remaining battery voltage is low therefore Shut-Down is imminent.
 - c. Once the power supply becomes active the green LED Indicator will illuminate.

Manual Shut-Down

To manually shut down the AGDO perform the procedure as follows;

- i. press and hold Learn Button
- ii. whilst continuing to hold down the Learn Button, press and hold Run Button
- iii. AGDO will have entered Shut-Down Mode once the LED extinguishes

OPTIONS AND FEATURES

17.3 Solar Power

- An optional Solar Power kit is available. Contact your AGDO dealer for further information.
- Connect the Solar connection cable to the Control Board terminals “+CH-”
- **Important Note: The Battery Charger must be genuine Avanti brand**

17.4 Warning Buzzer

- An audible buzzer will;
 - a. Single “beep” every 30 seconds to indicate that the power supply is not active.
 - b. Double “beep” every 30 seconds to indicate that the power supply is not active and that remaining battery voltage is low therefore Shut- Down is imminent.

18. Control Box

- The Control Box houses most of the controls from which the AGDO may be adjusted and functionality customized to suit individual requirements.
- Most commonly used functionality controls are accessible from within the Courtesy Lamp Cover.
- Less commonly used controls are accessible by removing both the Courtesy Lamp and Control Box Covers to expose the Control Board.

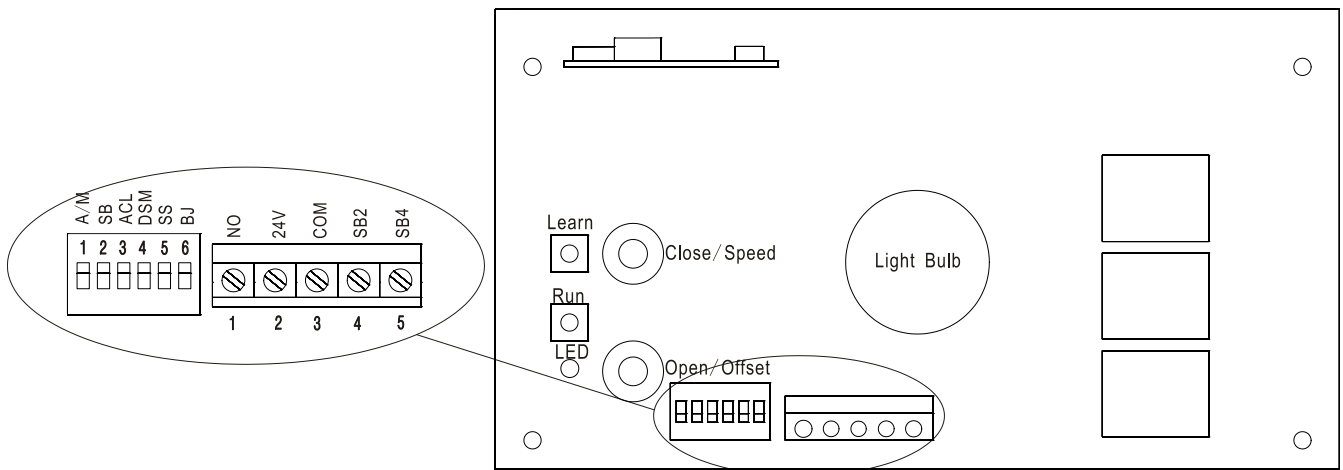


Fig. 16

Removal and Replacement of Courtesy Lamp and Control Box Covers

- **Important Note: The control board and power supply contain high voltage components. Coming into contact with these components may cause severe injury or death. Always switch off the AGDO and unplug the power cord BEFORE removing the main Control Box cover. The Control Box cover should only be removed by a suitably qualified technician**
- Remove Courtesy Lamp and Control Box Covers as follows;
 - i. **Switch off AGDO at power point and unplug the power cord**
 - ii. open the Courtesy Lamp Cover by pulling it down at the finger recess point (Fig.17-A)
 - iii. remove the Control Box Cover Lock Screw point (Fig.18-B) Note: the Control Box Cover can be removed once the head of the screw is protruding by approx 5mm.
 - iv. remove the Control Box Cover by pulling first **outwards** and then **downwards** at the finger recess points (Fig.17-B & C)
- Replacement of all components is the reversal of removal.

OPTIONS AND FEATURES

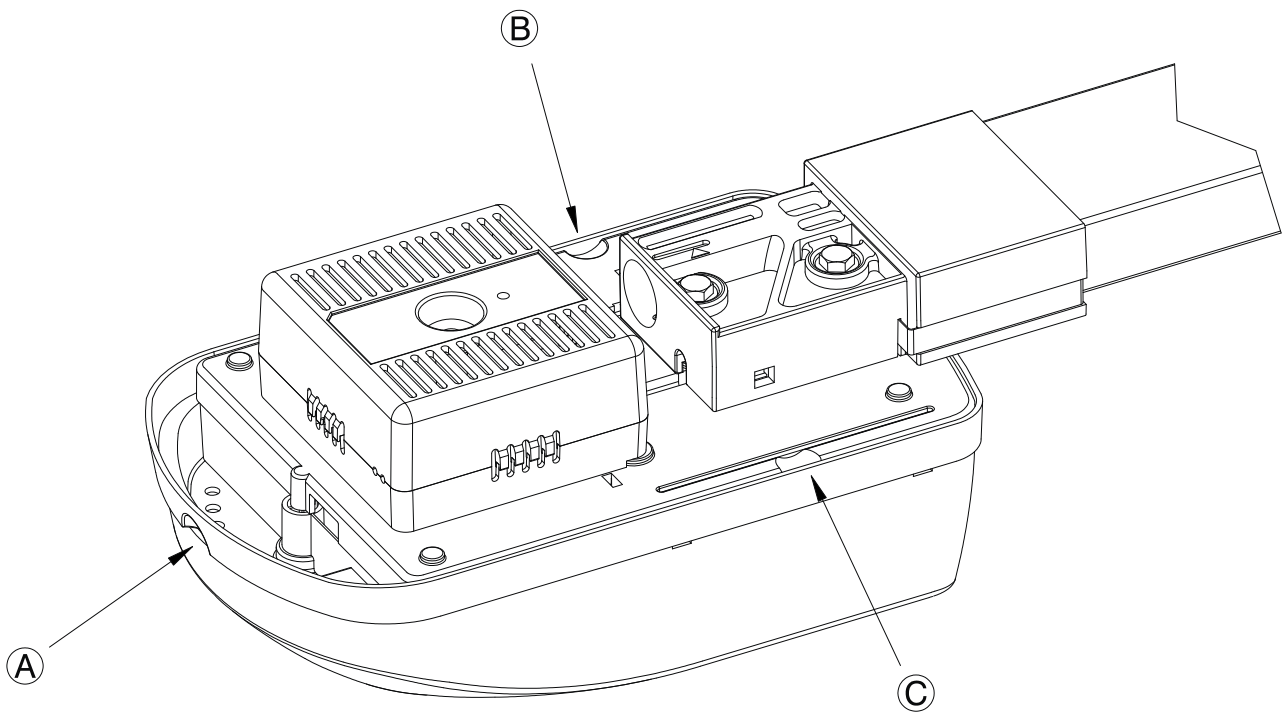


Fig. 17

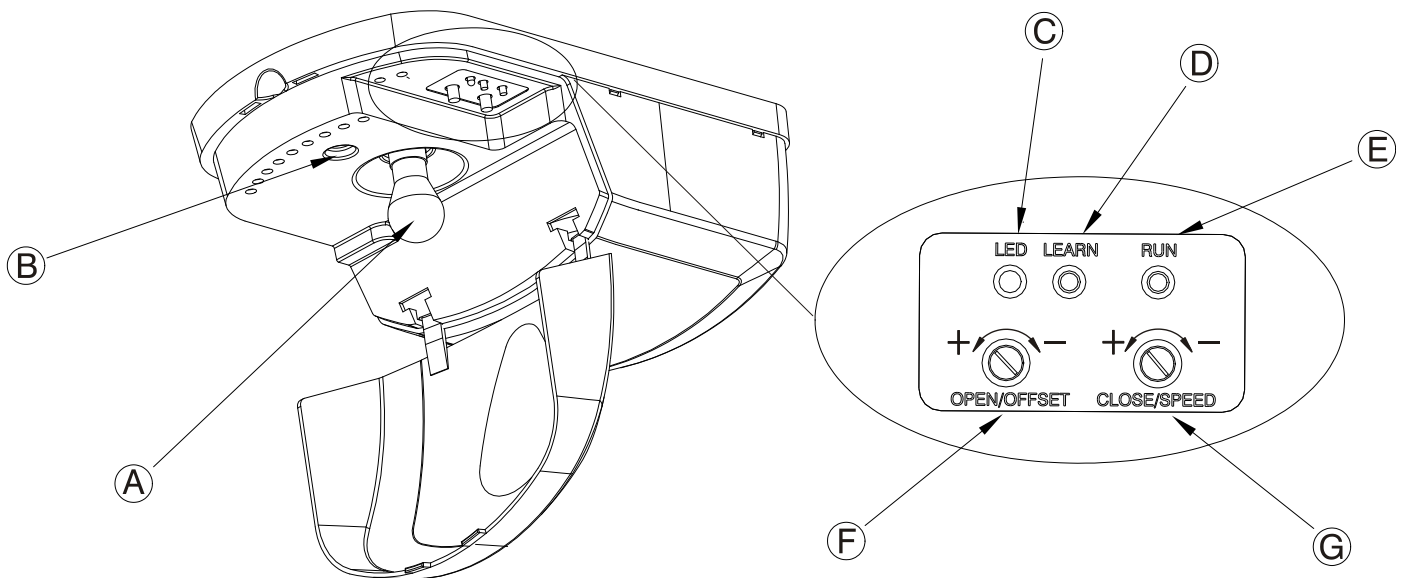


Fig. 18

OPTIONS AND FEATURES

19. Courtesy Lamp

- The in built Courtesy Lamp will switch on each time the AGDO is activated and then switch off automatically 90 sec after receiving the last Hand Transmitter or run signal.
- In order to conserve remaining battery power the Courtesy Light will not function once battery voltage falls below 24V. (Battery Powered AGDO only)

Bulb Replacement

- Hinge open the Courtesy Lamp Cover to expose the bulb (Fig.18-A)
- Remove the bulb by first pushing-in and then turning anti clockwise (same as removing and replacing a household light bulb)
- Replace bulb with identical 24V 20W Incandescent
- Close the Courtesy Lamp Cover
- **Important Note: Replacing the bulb with 12V version will cause the transformer to overheat and may permanently damage the transformer and Control Board. Always ensure that replacement bulb is rated at 24V and no more than 20W.**

20. Dip Switches

- The Dip Switches located on the Control Board (Fig.16) enable or disable specific functionality.
- The Dip Switches can be accessed by removing the Courtesy Lamp and Control Box Covers (Refer Sec.18 for removal and replacement details)
- Read through the following table and select the specific functionality best suited your specific personal or garage door requirements.

Functionality Table

Function	Dip No.	Dip Position	Details
Adaptive Mode (A/M) – Enable	1	ON	Sec.12.1
Manual Mode (A/M) – Enable	1	OFF	Sec.12.2
Safety Beams (SB) - Enable	2	ON	Sec.26
Safety Beams (SB) – Disable	2	OFF	Sec.26
Auto Close (AC) - Enable	2 & 3	ON	Sec.14
Auto Close (AC) – Disable	3	OFF	Sec.14
Door Service Monitor (DSM) – Enable	4	ON	Sec.21
Door Service Monitor (DSM) – Disable	4	OFF	Sec.21
Soft Stop (SS) – Enable	5	ON	Sec.29
Soft Stop (SS) – Disable	5	OFF	Sec.29
Back Jump (BJ) – Enable	6	ON	Sec.15
Back Jump (BJ) – Disable	6	OFF	Sec.15

Enabling

- Remove the Courtesy Lamp and Control Box Covers to expose the Control Board (Refer Sec.18 for removal and replacement details)
- Select the Dip Switches as required to enable the desired functionality (Fig.16)
- Replace the Control Box and Courtesy Lamp Covers

21. Door Service Monitor (DSM)

- Door Service Monitor will monitor the spring balance of the garage door by logging the run time differential between open and close cycles.
- The Courtesy Lamp will triple flash once every 15 seconds once the run time differential exceeds 3 seconds. At this point the garage door should be serviced by a suitably qualified technician.
- Note: Door Service Monitor function is available only when Adaptive Mode has been selected.

OPTIONS AND FEATURES

Enabling

- Remove the Courtesy Lamp and Control Box Covers to expose the Control Board (Refer Sec.18 for removal and replacement details)
- Select Dip 4 (DBM) to the “ON” position. (Fig.16)
- Replace Control Box and Courtesy Lamp Covers

22. Hand Transmitters

- The 433MHz hopping code Hand Transmitter provides state of the art security by providing up to 1.2 billion possible code combinations. A new digital code is generated each time the Hand Transmitter is pressed thereby ensuring the total security of your garage and its contents from potential coded scanning devices. Up to 12 individual Hand Transmitter codes may be stored.

Code Learning

- Hand Transmitters may be coded as follows;
 - i. hinge open the Courtesy Lamp Cover to expose the “Learn” Button (Fig.18)
 - ii. locate one of the Hand Transmitters supplied with the AGDO
 - iii. momentarily press the “Learn” Button (Fig.18–D) – LED Indicator will glow solid (Fig.18–C)
 - iv. momentarily press the Hand Transmitter button – LED Indicator will extinguish
 - v. momentarily press the Hand Transmitter button again – LED Indicator will begin to quick flash rapidly - programming is completed once the LED Indicator ceases to quick flash
 - vi. close the Courtesy Lamp Cover

Code Deleting

- All Hand Transmitter codes may be deleted as follows;
 - i. hinge open the Courtesy Lamp Cover to expose the “Learn” Button (Fig.18)
 - ii. momentarily press the “Learn” Button (Fig.18–D) – LED Indicator (Fig.18–C) will glow solid
 - iii. press and hold the black “Run” Button – LED indicator will begin to rapid flash
 - iv. all Hand Transmitter Codes will have been deleted once the LED Indicator ceases to flash
 - v. close the Courtesy Lamp Cover

Battery Replacement

- Battery may be replaced as follows;
 - i. remove the fixing screw located under the sticker on the bottom face of the Hand Transmitter
 - ii. open the 2 halves of the Hand Transmitter and replace the battery with one of identical specification
 - iii. test that the Hand Transmitter LED Indicator illuminates when on of the Hand Transmitter buttons is pressed and then replace the fixing screw and sticker

23. Learn Button

- The Learn” Button (Fig.18 - D) is located within the Lamp Cover adjacent to the “Learn LED” and serves to initiate the functions as described in the following table;

Function	Action
Learn Hand Transmitter Codes	Momentary press
Formal Force Learning	Press and hold for 2 sec.
Sleep Mode	Press and hold in conjunction with “Run” Button

OPTIONS AND FEATURES

24. LED Indicator

- The LED Indicator (Fig.18-C) is located under the Courtesy Lamp Cover and serves to indicate the functions as described in the following tables;

LED Display

- Provides visual indication of functionality sequences as described in the following table;

Display	Indicator
Glow Solid	Reached close limit position.
Slow Flash	Reached open limit position.
Medium Flash	Learning or deleting Hand Transmitter codes
Quick Flash (A Mode)	Learning new drive force parameters
Quick Flash (M Mode)	Force adjust mode activated
Sleep Mode	Intermittent Flash

LED Colour

- Provides visual indication of whether power supply is active or not;

Colour	Indicator
Green	Power supply active
Red	Power supply inactive

25. Run Button

- The black “Run” Button (Fig.18-E) is located under the Lamp Cover and serves to initiate the functions as described in the following table;

Function	Action
Activate AGDO	Momentary press
Safety Beam override	Press and hold until garage door is fully closed
Sleep Mode	Press and hold in conjunction with “Learn” Button

26. Safety Beams

- Genuine 2 wire or aftermarket 4 wire Safety Beams may be connected to the AGDO
- The installation of Safety Beams greatly enhances safety by constantly monitoring for persons or objects which may pass within the path of the moving garage door. The AGDO will commence to Safety Reverse if the Safety Beams become momentarily or permanently interrupted during a Close Cycle.

Mounting

- Locate the Safety Beam mounting brackets provided.
- Mark the inside garage door framing so that the bottom edge of the mounting bracket sits 125mm off the floor.
- Use the 2 mounting screws provided to fasten each mounting bracket to the wall.
- Use the 2 screws and nuts provided to fasten the Safety Beams to the mounting brackets so that the indicator lamp on each Safety Beam is facing upwards.

Connection

Genuine 2 Wire

- Using the Figure 8 Cable provided - strip back and connect the 2 strands of one end of the cable to each of the 2 terminals located on the outer cover of each Safety Beam.
- Securely fix the cable up and along the wall and run one length of each cable adjacent to the Control Box.
- Strip back and connect one strand of each cable to the Output Terminals “SB2” (Fig.16)

OPTIONS AND FEATURES

Aftermarket 4 Wire

- Follow Safety Beam manufacturers instructions and connect to the Output Terminals depicted in Fig.13
- **Important Note: AGDO provides 24VDC output and Normally Open input.**

Alignment

- Adjust the Safety Beam module marked “Transmitter” (by turning the mounting bracket) so that it is aimed directly at the lens of the Safety Beam module marked “Receiver”. An indicator lamp located along the top edge of the “Receiver” will glow green once the correct alignment has been achieved.
- Test the Safety Beam alignment several times each time ensuring that when the Safety Beams are obstructed the green indicator lamp extinguishes and when unobstructed the indicator lamp glows solid.
- Firmly tighten the Safety Beam mounting bracket fixing screws.
- Installation of the Safety Beams is now complete.

Enabling

- Remove the Courtesy Lamp and Control Box Covers to expose the Control Board (Refer Sec.18 for removal and replacement details)
- Select Dip 2 (SB) to the “ON” position (Fig.16)
- Replace the Control Box and Courtesy Lamp Covers

Testing

- Initiate a close cycle. As the garage door is closing interrupt the Safety Beams by passing an object through the line of the Safety Beams. If the Safety Beams are functioning correctly the AGDO should stop and then immediately reverse direction.
- If the garage door commences a close cycle but within 1 second stops and reverses, check that the Safety Beams are aligned correctly as outlined in “Alignment”

Override

- In the event of Safety Beam malfunction the can be closed by pressing and holding the black “Run” Button (Fig.18-E) until such time as the garage door is fully closed and has stopped.
- Note: If the black “Run” Button is released prior to the garage door reaching the fully closed position the AGDO will Safety Reverse.

27. Safety Reverse

- Partial Safety Reverse ensures that the garage door does not open fully and thereby present an unwanted security risk.
- In the event that the garage door encounters a sufficient obstruction during a close cycle the AGDO will immediately stop and then begin to reverse direction and then stop after 3 sec. Upon receiving a Signal immediately subsequent to partial Safety Reverse the AGDO will recommence movement in the open direction.

28. Soft Start

- When commencing movement from any stationary position the AGDO will slowly ramp up to full speed in order to minimize start-up load on the AGDO and garage door and provide smooth, quiet operation.

29. Soft Stop

- By intelligently reducing the speed of the garage door as it approaches a limit point the AGDO ensures quieter garage door closing and enhanced AGDO and garage door life. (Standard function within Adaptive Mode only)

OPTIONS AND FEATURES

- Adaptive Mode is factory configured to provide soft stopping prior to reaching a limit point. However, for garage doors that are improperly balanced it may be necessary to disable the soft stop function in order for the garage door to fully close or fully open
- Soft Stop is available only when adaptive mode has been selected

Enabling / Disabling

- i. Remove the Courtesy Lamp and Control Box Covers to expose the Control Board (refer Sec.18 for removal and replacement details)
- ii. TO ENABLE – select Dip Switch No.7 (SS) to the “ON” position (Fig.16)
- iii. TO DISABLE – select Dip Switch No.7 (SS) to the “OFF” position (Fig.16)
- iv. Replace the Control Box and Courtesy Lamp Covers once selection has been completed.

30. Speed Control

- Running speed may be adjusted within the range of 70 ~ 100% of maximum speed.
- Note: Available only when Adaptive Mode has been selected.

Adjustment

- To enter Speed Control adjustment mode;
 - i. move the Drive Unit so that it is positioned mid way between the 2 Limit Adjust Prongs (Fig.11)
 - ii. hinge open the Courtesy Lamp Cover to expose the adjustment controls (Fig.18)
 - iii. press and hold the “Learn” Button (Fig. 18-D) for 2 sec in order to initiate Forced Learn – LED Indicator will begin to quick flash
 - iv. rotate the (red) “Speed” Adjustment Pin (Fig.18-F) in a clockwise direction to increase running speed and anti-clockwise to decrease running speed
 - v. Close the Courtesy Lamp Cover once adjustment has been completed
- Running speed may only be adjusted while the Drive Unit is traveling between Limit Points.
- Speed Control adjustment will close out automatically once the Drive Unit reaches either one of the Limit Adjust Prongs.

31. Vacation Mode

- During Vacation Mode all functionality is disabled and the AGDO will only function upon receiving a signal from a pre-learned Hand Transmitter.
- Vacation Mode will not function unless at least one Hand Transmitter has been previously learned into the AGDO.

Entering / Exiting

- i. hinge open the Courtesy Lamp Cover to expose the adjustment controls (Fig.18)
- ii. TO ENTER - press and hold down the “Learn” Button (Fig.18-D) and whilst continuing to hold down the “Learn” Button press the black “Run” Button. (Fig.18-E)
- iii. TO EXIT - activate the AGDO with one of the pre-learned Hand Transmitters.

32. Wall Switch – Hard Wired

- A permanently wired Wall Switch may be connected to the AGDO in a convenient location such as adjacent to a side entry door into the garage.

Connection

- Use a normally open momentary contact type switch (similar to spring loaded front door bell type switch)
- Use figure 8 cable and connect the wires from the switch to the Output Terminals as depicted in Fig.15

OPTIONS AND FEATURES

- **Important Note: The Wall Switch must be mounted within sight of the garage door and a reasonable distance away from moving parts. It should be mounted at least 1500mm above the ground and the Entrapment Warning Label provided must be attached adjacent to and within clear sight of it.**

33. Wall Switch – Wireless

- The wireless wall switch provides ease of installation without the need for running hard wires to the switch and is can be mounted in a convenient location such as adjacent to a side entry door into the garage.

Mounting

- The switch can be permanently screwed to the wall through the mounting holes provided or alternatively “hooked” on the wall, providing the convenience of easy demount ability, through the “hook” holes provided on the base plate.
- Use the mounting template and mounting instructions provided with the switch.
- The Wireless Wall Switch may be learned into be AGDO as per the procedure outlined on Sec.22 “Code Learning”
- **Important Note: The wireless Wall Switch must be mounted within sight of the garage door and a reasonable distance away from moving parts. It should be mounted at least 1500mm above the ground and the Entrapment Warning Label provided must be attached adjacent to the switch.**

34. Maintenance

- Once every 6 months;
 - i. spray the inside of the Drive Rail (Fig.3 Item A) along its entire length with a light coating of WD40 or silicone spray lubricant.
 - ii. disengaged the AGDO from the door (Fig.10) and then test the door to ensure that it meets with the requirements detailed on Pg.4 Items 3 & 4

TECHNICAL SPECIFICATIONS

INPUT VOLTAGE:	230 ~ 240VAC 50 ~ 60Hz
OPERATING VOLTAGE:	24VDC
MAX DOOR HEIGHT:	2440mm using Standard 3174mm rail
MAX DOOR WIDTH:	6500mm
MAX DOOR AREA:	14 Square Meters
MAX LIFTING CAPACITY:	1200N
MOTOR TYPE:	120W DC
SAFETY OBSTRUCTION FORCE SYSTEM:	Selectable Manual / Adaptive
DOOR TRAVEL ADJUSTMENT:	Manually Adjustable Limit Prongs
RECEIVER CODE STORAGE CAPACITY:	12 Individual Hand Transmitters
TRANSMITTER FREQUENCY:	433.92 MHz Hopping Code
LIGHT GLOBE:	20W 24V Bayonet
DOOR TRAVEL SPEED:	Adjustable ~ 125mm / sec max
AUTO CLOSE:	Dip Switch Selectable
SAFETY BEAMS:	Optional

Specifications subject to change without prior notice

TROUBLESHOOTING GUIDE

Symptom	Suggested Remedies/Reasons	Reference	
		Page	Sec.
• AGDO will not function at all	• Check that power chord is plugged-in and turned on	~	~
	• Check power point by plugging-in an alternate appliance	~	~
	• Check that AGDO is engaged to door	12	10
	• No LED display indicates that AGDO has entered Shut-Down Mode due to low battery voltage - check power supply (battery version only)	18	17
• Opener may have entered Vacation Mode	• Opener may have entered Vacation Mode	25	31
	• Speed Control setting may be too low - increase speed setting	25	30
	• Batteries are running low - check that charger is charging	18	17.1
• Garage door may be binding or out of balance	4	3	
• Door stops before reaching fully open position	• Disengage AGDO from door and check for obstructions	12	10
	• Disengage AGDO from door and check for correct spring balance	4	3
	• Check for correct Safety Obstruction Force adjustment settings	13	12
	• Check for correct Open Limit adjustment	13	11
	• Door may be incorrectly balanced - disable soft stop	25	29
• Door stops & reverses before reaching fully closed position	• Disengage AGDO from door and check for obstructions	12	10
	• Disengage AGDO from door and check for correct spring balance	4	3
	• Check for correct Safety Obstruction Force adjustment settings	13	12
	• Check for correct Safety Beam alignment where fitted	23	26
	• Door may be incorrectly balanced - disable soft stop	25	29
• Door stops before reaching fully closed position	• Check for correct Close Limit adjustment	13	11
• Door will not Safety Reverse	• Check for correct Safety Obstruction Force adjustment settings	13	12
	• Battery voltage may be low - check that battery charger is active	18	17.1
• Door requires excessive force to Safety Reverse	• Check for correct Safety Obstruction Force adjustment settings	13	12
• Door requires excessive force to Safety Stop	• Check for correct Safety Obstruction Force adjustment settings	13	12
• AGDO will not function from Hand Transmitter	• Check function of AGDO by operating from "Run" button	23	25
	• Check function of AGDO with substitute Hand Transmitter	22	22
	• Re learn Hand Transmitter code into AGDO	22	22
	• Replace Hand Transmitter battery	22	22
• Hand Transmitter operating range is poor	• Replace Hand Transmitter battery	22	22
	• Extended AGDO antenna	~	~
• Courtesy Lamp will not function	• Replace Courtesy Lamp bulb	21	19
	• Battery charger inactive (Battery version only)	18	17.1
• Courtesy Lamp triple flashes every 15 sec	• Door balance is incorrect	4	3
	• Lubricate garage door springs and hinges	4	3
	• Call serviceman if lubricating springs does not correct problem	4	3
• LED Indicator glows solid	• AGDO has reached fully closed position	23	24
• LED Indicator slow flashes	• AGDO has reached fully open position	23	24
• LED Indicator quick flashes	• AGDO is learning new Safety Obstruction Force values	13	12.1
• LED Indicator glows red	• Battery charger is not charging - check battery charger	18	17.1
• Buzzer single beeps every 30 sec	• Battery charger is not charging - check battery charger	18	17.5
• Buzzer double beeps every 30 sec	• Battery is nearing fully depleted state - check battery charger	19	17.5
• Door will not Auto Close	• Check for Safety Beam damage	23	26
	• Check for correct Safety Beam alignment	23	26
	• Check that Dips 2 & 3 have been selected to the "ON" position	17	14
• Will not Safety Reverse when Safety Beams are interrupted	• Check that Dip 2 has been selected to the "ON" position	24	27
• AGDO makes "squeaking" sound	• Lubricate inside of Drive Rail with WD40 or silicone lubricant	26	34

NOTES

