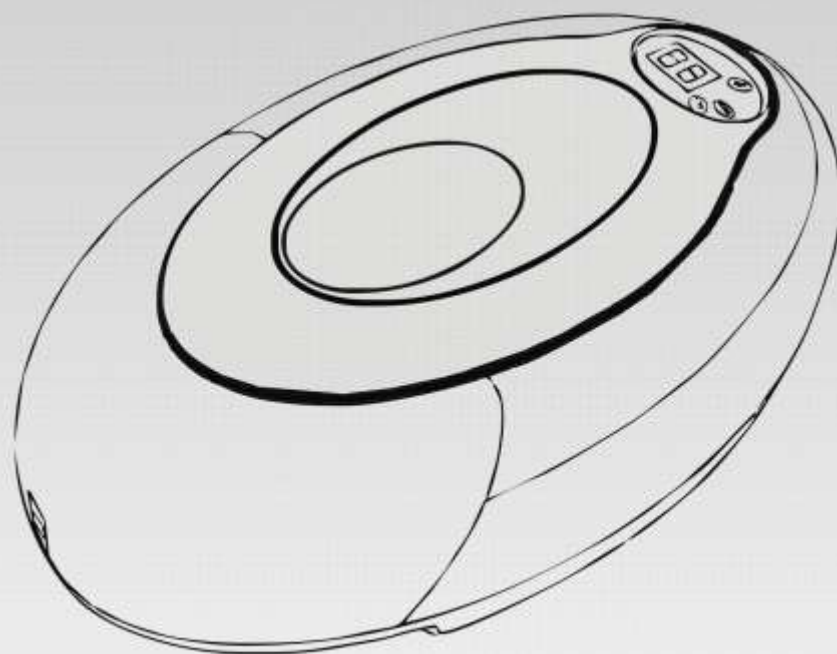


# ***SUPERLIFT***

**SDO-3 DC**

***"Your Automatic Choice"***



**Installation Instructions and User Guide**



## CONTENTS

<b>Important Safety Recommendations</b> .....	<b>3</b>
<b>Warranty Exclusions</b> .....	<b>4</b>
<b>Technical Specifications</b> .....	<b>5</b>
Suggested Tool Requirement.....	5
<b>Assembly Instructions</b> .....	<b>6</b>
Assembling Drive Rail to Power Head.....	6
Drive Rail Hanger Options.....	6
Fitting Carriage.....	6
Drive Chain/Belt Tensioning .....	6
<b>Installation Instructions</b> .....	<b>8</b>
Identifying Garage Door Type.....	8
Mounting Header Bracket.....	8
Mounting Door Bracket .....	9
Attaching Drive Rail to Header Bracket .....	9
Attaching Power Head to Ceiling .....	9
Mounting Connecting Arms to Carriage and Door .....	10
Disengaging the Garage Door .....	10
Engaging the Garage Door .....	10
<b>Settings and Adjustments (programming the Operator)</b> .....	<b>11</b>
Preparation .....	11
Coding and Deleting Transmitters .....	11
Setting Door Travel .....	12
Adjusting Safety Obstruction Force .....	12
Testing Close Direction Safety Obstruction Force .....	13
Installation of Safety Beams .....	14
Aligning Safety Beams.....	15
Enabling and Testing Safety Beam Function.....	15
Auto Close Mode.....	16
Installation of Wall Switch .....	16
Output terminals.....	16
Light Bulb Replacement .....	17
Transmitter Battery Replacement .....	17
Wall Switch-Wireless .....	17
Wall Switch-Wireless Battery Replacement .....	17
<b>Accessories</b> .....	<b>17</b>
<b>Trouble Shooting Guide</b> .....	<b>18</b>

## IMPORTANT SAFETY RECOMMENDATIONS

**FAILURE TO COMPLY WITH THE FOLLOWING SAFETY RECOMMENDATIONS MAY RESULT IN SERIOUS PERSONAL INJURY, DEATH AND/OR PROPERTY DAMAGE.**

**READ AND FOLLOW ALL SAFETY AND INSTALLATION INSTRUCTIONS CAREFULLY.**

1. **The installation of the Automatic Garage Door Opener (herein after referred to as “Opener”) must be carried out by a technically qualified or licensed person. Attempting to install the Opener without suitable technical qualification may result in severe personal injury, death and/or property damage.**
2. Only install the Opener on a properly balanced and aligned, well functioning Garage Door. An improperly balanced or malfunctioning Garage Door could cause serious injury. Have a qualified person check and if required, make repairs to your Garage Door **before** installing the OPENER. As a general rule, your Garage Door is deemed to be well balanced and aligned if it:
  - a. requires an equivalent amount of applied force to manually open or close and,
  - b. requires no more than 150N of applied force to either manually open or close and,
  - c. does not rise or fall more than 100mm when stopped at any position between fully open or fully closed positions and,
  - d. does not rub on or make contact with any supporting or surrounding structures.
3. Repairs to Garage Doors must only be carried out by technically qualified persons. Attempting to repair the Garage Door without suitable technical qualification may result in severe personal injury, death and/or property damage.
4. Remove or render inoperative all existing locks and ropes prior to installation of the Opener.
5. The counter balance springs on sectional type doors **must** be properly lubricated between all of the coils with heavy automotive bearing grease. Failure to adequately lubricate the springs may result in one or more of the following symptoms:
  - a. The springs will become rusty over time resulting in extra operating friction between the coils which may cause the Opener to malfunction.
  - b. Seasonal temperature changes may cause the Garage Door springs to expand and/or contract. The resultant increase and/or decrease in operating friction may cause the Opener to malfunction. Properly lubricating the springs will help to minimize the effect of seasonal temperature changes in operating friction of your Garage Door.
6. If possible, install the Opener at least 2 meters or more above the ground. Adjust the Manual Release Cord so that it hangs approximately 1.8 meters from the ground.
7. Do not connect the Opener to the power source until this manual instructs you to do so.
8. The Opener must be connected to a **properly earthed** general purpose 240V outlet which has been installed by a qualified electrical contractor.
9. Locate the wall control panel/push button:
  - a. within sight of the Garage Door and,
  - b. at a minimum height of 1.5 meters above the ground so that it remains out of the reach of small children and,
  - c. away from all moving parts of the door.
10. Install the Entrapment Warning Label in a prominent position next to the wall control button.
11. The Manual Release Instruction Tag must remain attached to the Manual Release Cord.
12. After installing and correctly adjusting the Opener, the Garage Door **must** stop and reverse direction when it comes into contact with a 40mm high solid object placed on the floor under the Garage Door.
13. The correct function of the Safety Obstruction Reversing System should be checked on a monthly basis. Make sure that the Garage Door reverses when it makes contact with an obstruction.

## IMPORTANT SAFETY RECOMMENDATIONS

14. Never use the Opener unless the Garage Door is in full view and free from objects such as cars, children and/or adults.
15. Never allow children to operate the Opener.
16. Never operate the Opener when children/persons are under or near the path of the door. Children **must** be supervised at all times when near the Garage Door and when the Opener is in use.
17. Never attempt to disengage the Opener to manual operation when there are children/persons or and other objects including motor vehicles under or near the path of the Garage Door.
18. Never attempt to open or close the Garage Door by pulling on the Manual Release Cord.
19. Never attempt to make any repairs or remove covers from the Opener without first disconnecting the power supply cord from main power supply.
20. For additional safety we strongly recommend the fitment of Safety Beams. Although the Opener incorporates a pressure sensitive safety obstruction system, the addition of Safety Beams will greatly enhance the operating safety of an Automatic Garage Door and provide additional peace of mind. In some countries it is mandatory by law to fit Safety Beams. It is the sole responsibility of the owner/installer to fit Safety Beams in those countries which so require.
21. Removal of the Opener's protective covers must only be preformed by a technically qualified person. Attempting to remove the protective covers or repair the Opener without suitable technical qualification may result in severe personal injury, death and/or property damage.
22. Always ensure that the Garage Door is fully open before driving into or out of the Garage.
23. Always ensure the Garage Door is fully closed before leaving the driveway.
24. Adjustments to the Safety Obstruction Force settings must only be carried out by a technically qualified person. Attempting to adjust the Safety Reverse Force setting without suitable technical qualification may result in severe personal injury, death and/or property damage.
25. Keep hands and loose clothing clear of the Garage Door and Opener at all times.
26. In order for the Safety Obstruction Force System to function it must first encounter an object/person on to which some force **MUST** be exerted. As a result the object/person/door may suffer **DAMAGE OR INJURY**.
27. **The Safety Obstruction Force System is designed to work on STATIONARY objects only. If the Garage Door encounters a moving object during an Open or Close Cycle, serious personal injury, death and/or property damage may occur.**

### Warranty Exclusions

**No claims whatsoever will be recognized under the terms of this product's warranty which pertain to damage, injury, cost or expense, suffered by persons or to property, which either directly or indirectly arise out of any of the following actions:**

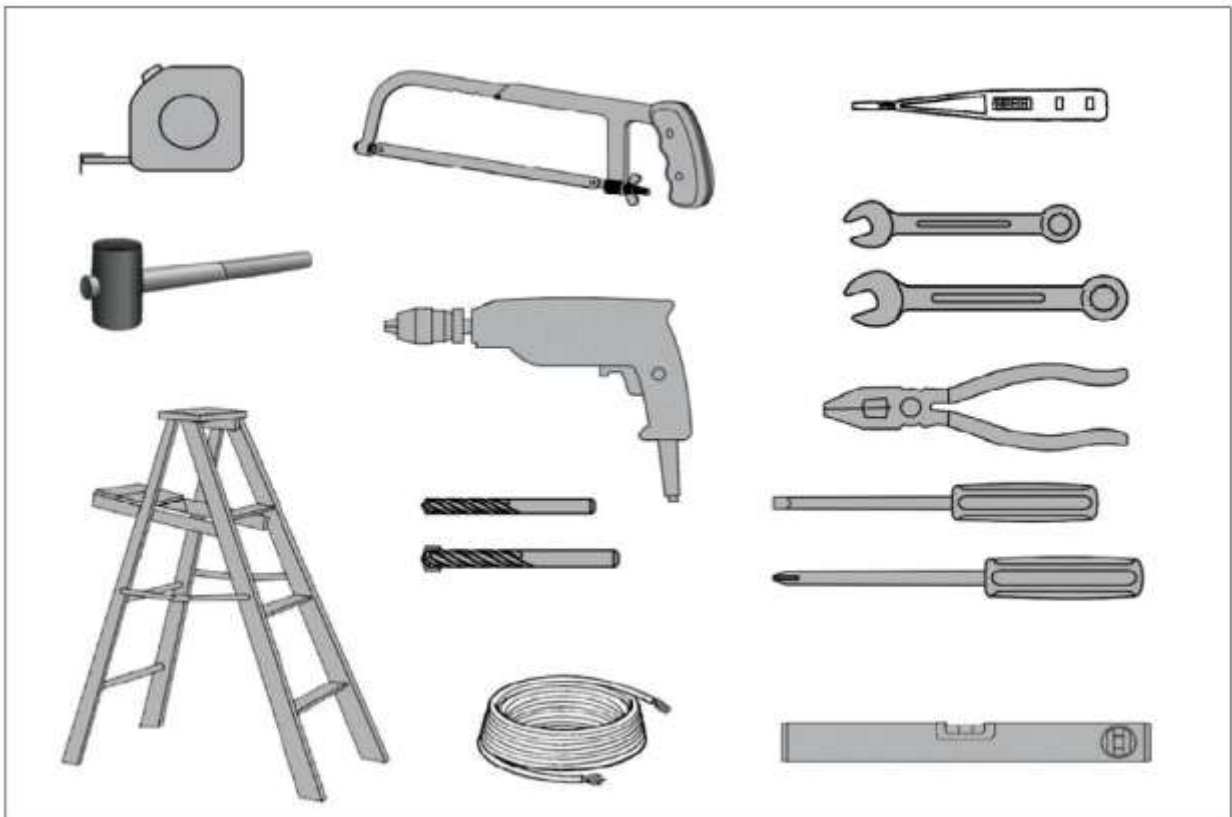
- a. Failure to install the Opener in accordance with the installation instructions herein contained.
- b. The Garage Door striking a moving object. (refer Point 27 in the above)
- c. The Opener being used on other than a maximum 4 car residential application.
- d. Failure to adequately lubricate the Garage Door counter balance springs. (refer point 5 in the above)
- e. Attempting to open or close the Garage Door by directly pulling on the Manual Release Cord.
- f. Installing the Opener on an improperly balanced and/or poorly functioning and/or miss aligned Garage Door. (refer Point 2 in the above)
- g. Manually releasing the Garage Door in any position other than when fully closed.
- h. Failure to connect the Opener to a properly earthed power supply.

## TECHNICAL SPECIFICATIONS

<b>INPUT VOLTAGE:</b>	240VAC 50Hz
<b>MAX DOOR HEIGHT:</b>	2.4m, 2.7m, and 3.0m depending on shaft length
<b>MAX DOOR WIDTH:</b>	5 Meters
<b>MAX DOOR AREA:</b>	12 Square Meters
<b>MAX LIFTING CAPACITY:</b>	Electronically Limited to 800N
<b>MOTOR TYPE:</b>	24 Volt DC
<b>SAFETY OBSTRUCTION FORCE SYSTEM:</b>	Electronically Adjusted
<b>DOOR TRAVEL ADJUSTMENT:</b>	Electronically Adjusted
<b>RECEIVER CODE STORAGE CAPACITY:</b>	20 Individual Transmitters
<b>TRANSMITTER FREQUENCY:</b>	433.92 MHz Hopping Code
<b>LIGHT GLOBE:</b>	24 Volt, 5W Bayonet
<b>DOOR TRAVEL SPEED:</b>	154 mm/second
<b>AUTO CLOSE:</b>	Electronically Adjusted
<b>PHOTO BEAMS:</b>	Optional
<b>COURTESY LIGHT TIME:</b>	3 Minutes

*Specifications are subject to change without prior notice.*

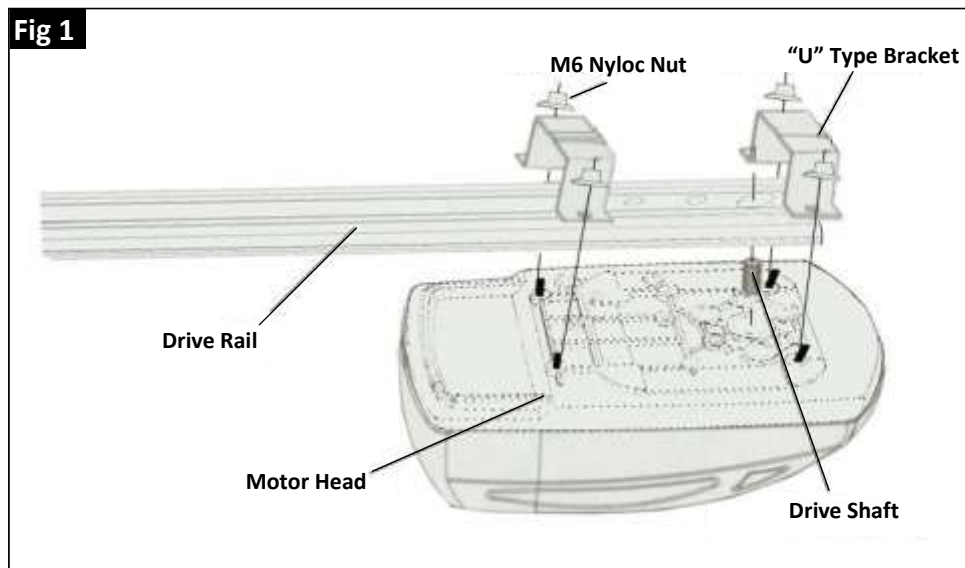
## SUGGESTED TOOL REQUIREMENT



## ASSEMBLY INSTRUCTIONS

### 1. Assembling Drive Rail to Power Head

- 1.1 On a clean, smooth surface, unpack the Drive Rail, Motor Head and two “U” Brackets with Nyloc Nuts (Fig.1)
- 1.2 Align and insert the Drive Rail onto the Drive Shaft (Fig.1)
- 1.3 Attach the two “U” Brackets over the Drive Rail and secure to the Motor Head with the M6 Nyloc Nuts. (Fig.1)



### 2. Drive Rail Hanger Options

- 2.1 **Option One:** Attach “U” Type Bracket and Straight Perforated Angle Iron using M8 Nut and Bolt at Motor Head end.
- 2.2 **Option Two:** “Twist On” Bracket (Fig.2 Section E) may also be used as in option one. Hanger assembly may be moved along Drive Rail, within 800mm of the Motor Head, to find best fixing point for ceiling studs. (Fig.2 Section A). Additional hangers may be used on longer rails for added stability.

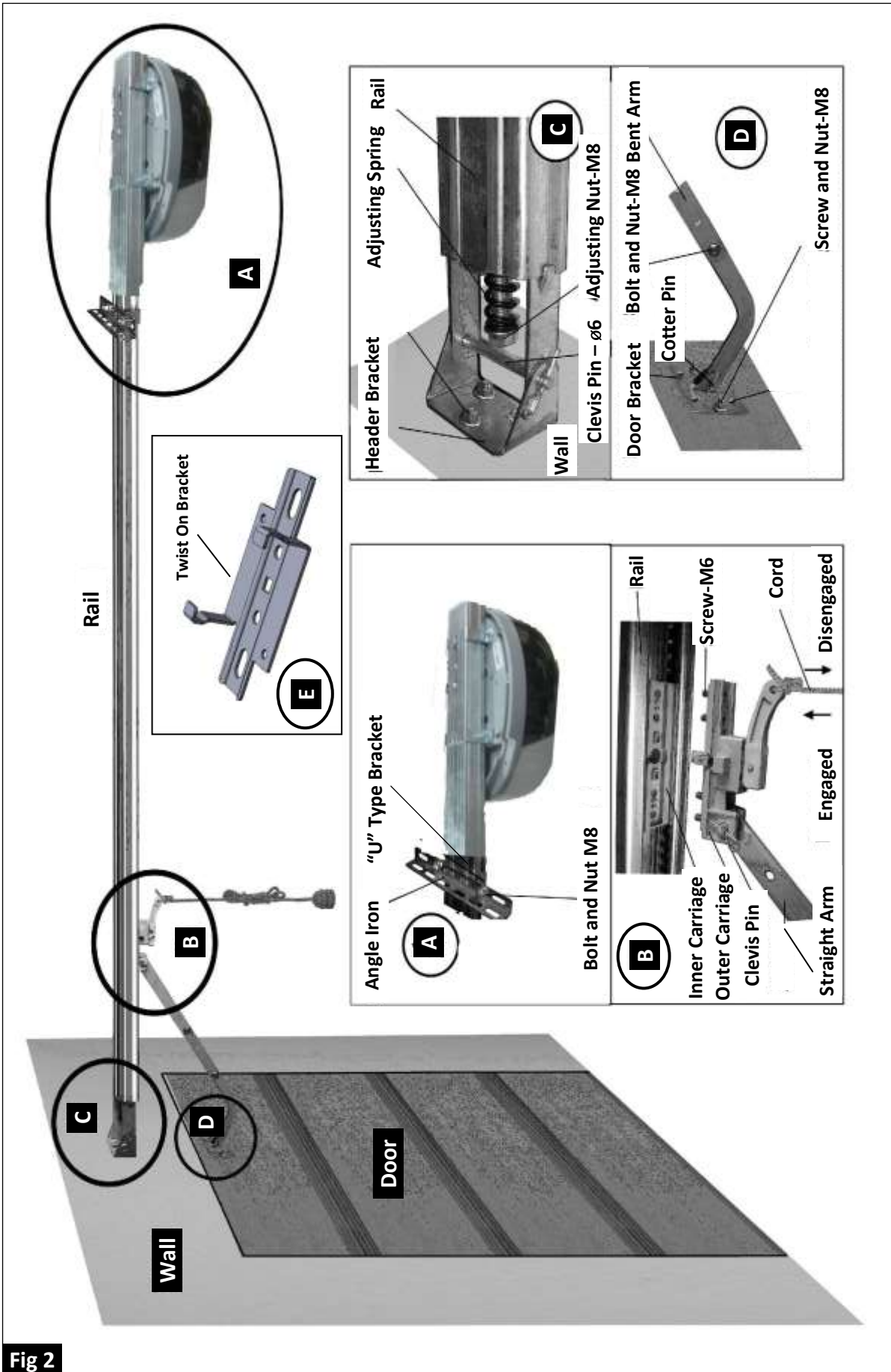
### 3. Fitting Carriage

- 3.1 Fit Carriage to Drive Rail with 4 Phillip Head screws (Fig.2 Section B)
- 3.2 Attach Release Cord as pictured.
- 3.3 Cut Release Cord to a length so that it hangs no less than 1.8m from the ground or out of reach of children.

### 4. Drive Chain/Belt Tensioning

- 4.1 Tighten the tensioner Adjusting Nut (Fig.2 Section C) until the Drive Chain/Belt has approximately 3 - 5mm of sag at the mid-point of the Drive Rail.
- 4.2 Ensure the Drive Chain/Belt has not been over tightened as this will cause premature wear of the motor drive shaft and front pulley wheel.
- 4.3 The Opener is now fully assembled and ready for installation.

# ASSEMBLY INSTRUCTIONS

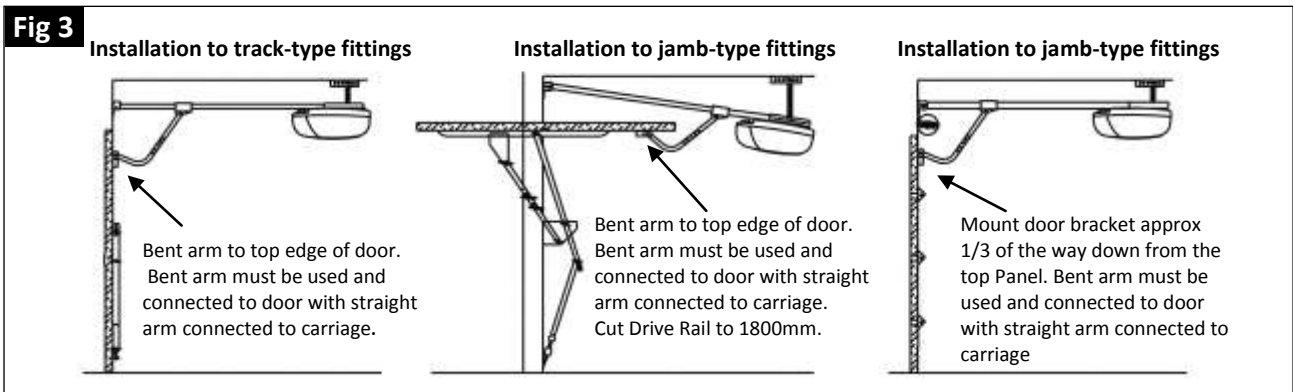




## INSTALLATION INSTRUCTIONS

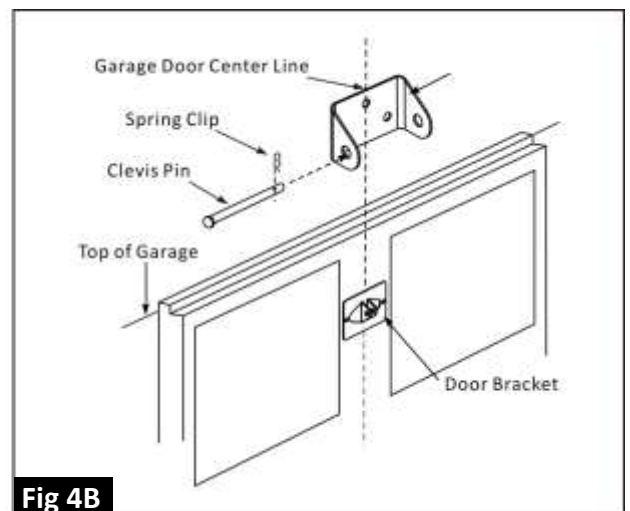
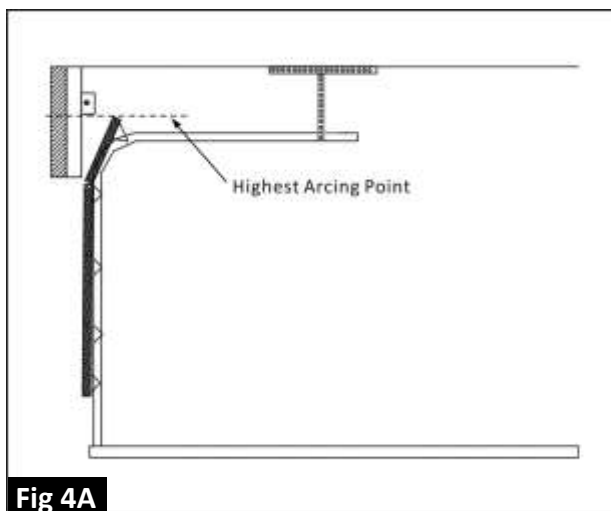
### 5. Identifying Garage Door Type

- 5.1 From the diagrams depicted (Fig.3) select the type of installation that is best suited to your Garage Door type.



### 6. Mounting Header Bracket

- 6.1 Find the highest point in travel of the Garage Door and mark this as a horizontal line on the Header above the top edge of the Garage Door. (Fig.4A)
- 6.2 Find the Garage Door Center Line and mark a vertical line on the Header above the top edge of the Garage Door. (Fig.4B)
- 6.3 Centralize the bottom edge of the Header Bracket at no more than 50mm above the marked out vertical and horizontal lines and mark the location of at least 2 screw holes. (Fig.4B)
- 6.4 Drill the 2 screw holes and use 2 screws of at least 8mm diameter to secure the Header Bracket to the Header.
- 6.5 **Important Note: The Header Bracket carries ALL of the opening and closing thrust and as such must be securely fastened to a rigid, structural member of the garage.**



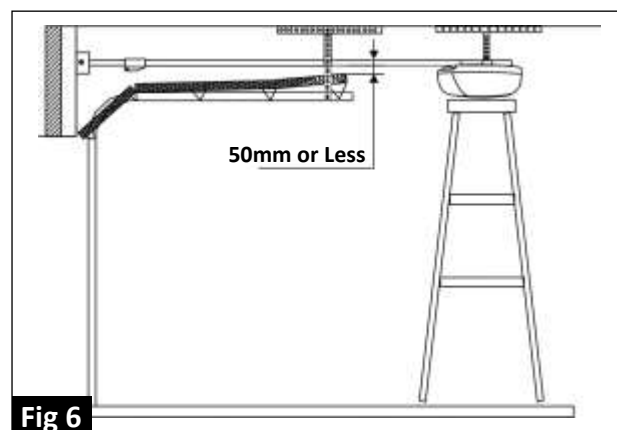
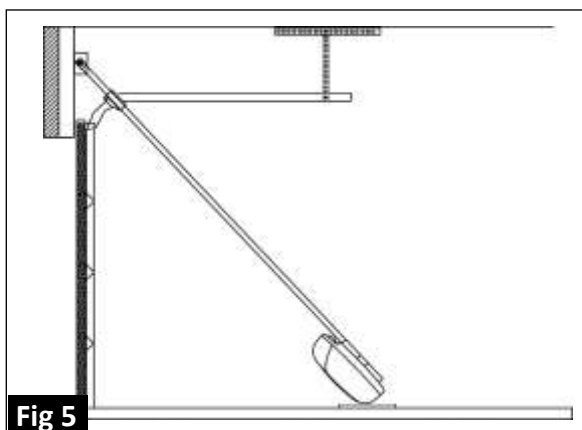
## INSTALLATION INSTRUCTIONS

### 7. Mounting Door Bracket

- 7.1 Find the Garage Door Center Line and affix the Door Bracket (Fig.2 Section D) on to a structural member of the Garage Door. Mark the location of at least 2 screw holes as far apart from each other as possible.
- 7.2 Drill the 2 screw holes with appropriate drill and securely mount the Door Bracket to the Garage Door using 2 screws of at least 6mm diameter.
- 7.3 **Important Note: It is recommended to use screws with nuts rather than self drilling screws.**
- 7.4 **Important Note: For Sectional Doors, the pivot point of the Door Bracket should be mounted approximately one third down from the top edge of the top panel. For Tilt doors the pivot point should be as close to the top edge of the Garage Door as possible.**

### 8. Attaching Drive Rail to Header Bracket

- 8.1 Lay the assembled opener on the floor in line with the centerline of the Garage Door so that the Motor Head is furthest from the Garage Door.
- 8.2 Lift the Drive Rail up to the Header Bracket so that the Terminal Bracket sits in between the ears of the Header Bracket (Fig.5 & Fig.2 Section C)
- 8.3 Align the mounting holes and fully insert the Long Clevis Pin
- 8.4 Secure the Clevis Pin with the Spring Clip



### 9. Attaching Power Head to Ceiling

- 9.1 Raise the Motor Head off the floor and rest it on a support high enough that the Drive Rail runs parallel to the ground. (Fig.6 depicts typical Sectional Type Garage Door installation)
- 9.2 Carefully open the Garage Door and ensure that no part of it comes into contact with the Drive Rail or the Motor Head during the entire movement of the Garage Door.
- 9.3 Align the Drive Rail with the center line of the Garage Door and securely fasten the Motor Head to a structural member of the ceiling or roof using appropriate hanging material. (Fig.6)
- 9.4 The hanging material should be attached to the Angle Iron supplied, or the Twist On Bracket or both if both are used.
- 9.5 Once mounted the Motor Head and Drive Rail should be sitting parallel to the floor along both planes. (For Sectional and Track-Type Tilt Doors only. For Jamb-Type Tilt Door refer to Fig.3)
- 9.6 **Important Note: With the Garage Door in the fully open position, the underside of the Drive Rail should be no more than 50mm above the highest arcing point of the Garage Door for its entire length. (Fig.6)**

## INSTALLATION INSTRUCTIONS

### 10. Mounting Connecting Arms to Carriage and Door

- 10.1 Close the Garage Door. With the Opener **disengaged**, attach the Straight Connecting Arm to the Carriage using the Clevis Pin (Fig.2 Section B)
- 10.2 Secure the Clevis Pin with the Spring Pin.
- 10.3 Attach the Bent Connecting Arm to the Door Mounting Bracket using the Clevis Pin. (Fig.2 Section D)
- 10.4 Bring the Straight and Bent Connecting Arms together and align the 2 farthest sets of holes.
- 10.5 Use two 8mm bolts and nuts to securely fix the Bent and Straight Connecting Arms together.

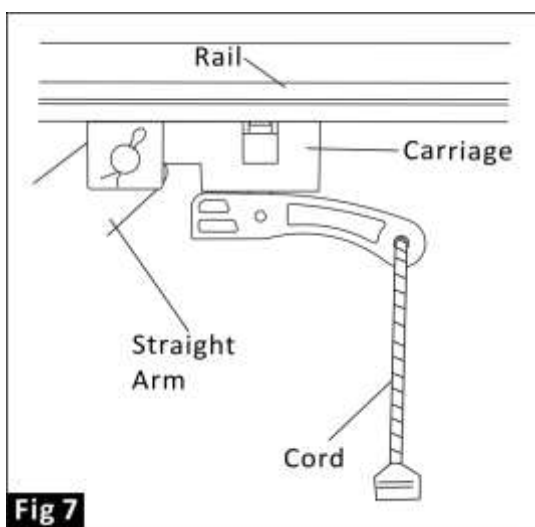


Fig 7 Automatic/Engaged Position

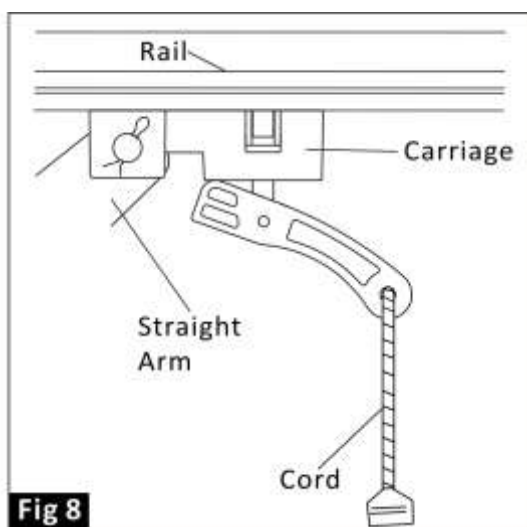


Fig 8 Manual/Disengaged Position

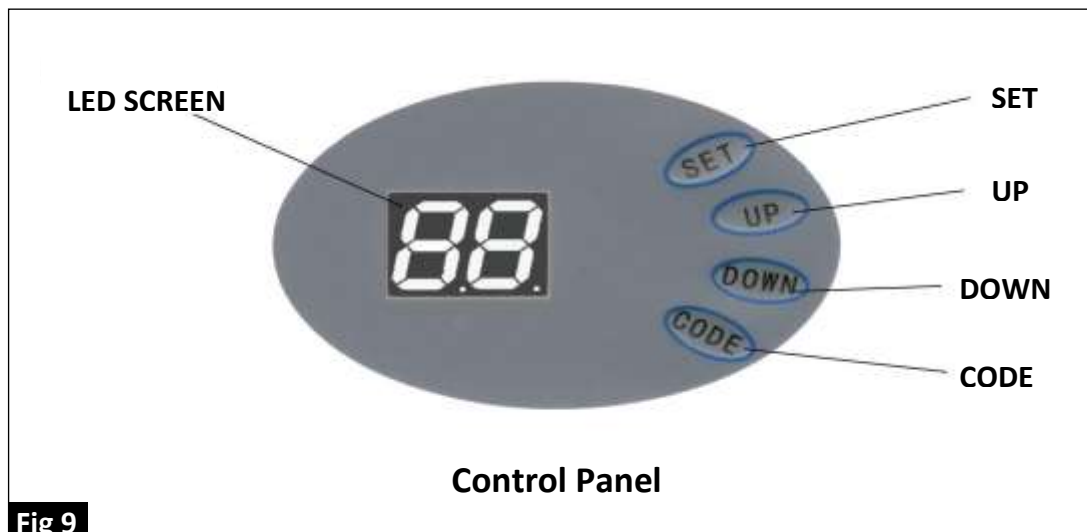
### 11. Disengaging the Garage Door

- 11.1 To disengage the Opener from the Garage Door, pull down on the Red Coloured Disengage Cord. (Fig.8)
- 11.2 The Drive Rail has punched holes to lock the door while in manual mode.
- 11.3 **Important Note: Never attempt to open or close the Garage Door by pulling on the Disengage Cord. Doing so may result in SERIOUS PERSONAL INJURY and/or PROPERTY DAMAGE.**
- 11.4 **Important Note: Always disengage the Opener with the Garage Door in the fully closed position.**
- 11.5 **Important Note: If attempting to disengage the Opener from any position other than with the Garage Door fully closed ensure that there are no persons and/or property near or directly under the path of the door.**

### 12. Engaging the Garage Door

- 12.1 Pull down on the Red Cord and open the Garage Door by hand so that it is approximately 1 meter off the ground.
- 12.2 Release the Red Cord (Fig.7) and press the black "Run" Button located on the bottom of the Opener or the hand transmitter.
- 12.3 After a short time the Opener will self-engage into the Carriage.
- 12.4 **Important Note: If the Opener runs for some time (first cycle) and then stops without engaging into the Carriage press the Run Button again and it will self-engage on the second cycle.**

## SETTINGS & ADJUSTMENTS



### Programming the Operator

#### 13. Preparation

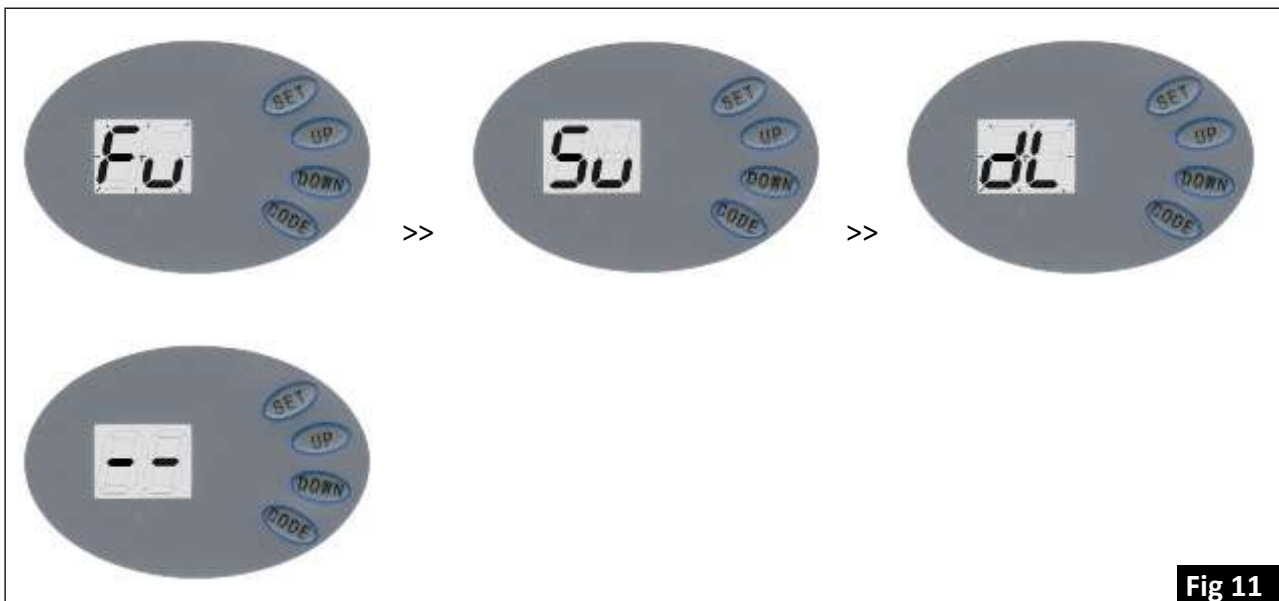
- 13.1 Ensure that the Opener is engaged (refer to Sec.12). Raise and lower the door by hand to confirm the Carriage is locked onto the chain/belt connector.
- 13.2 Connect the Power Cord to a properly earthed power supply. Make sure that no excess cord hangs below the Opener when it is plugged in.
- 13.3 Switch the power on at the power supply. The Courtesy Light will glow for several seconds, at the same time the LED displays the number from "99" to "11". When the screen shows "- -" the opener is in standby. (Fig.10).



#### 14. Coding and Deleting Transmitters

- 14.1 This Opener can store up to 20 transmitter codes. When the memory is full the LED display will flash "Fu".(Fig.11).
- 14.2 To code a new Transmitter:
  - Momentarily press the "Code" button — "Su" will be displayed on the LED Screen.
  - Momentarily press Transmitter button.
  - Momentarily press the same button on the transmitter a second time — "Su" will flash on the LED Screen.
  - Change to "- -" — This indicates the transmitter code is now stored. (Fig.11).
- 14.3 To code additional transmitters repeat step 14.2.
- 14.4 To delete codes from the opener press and hold the "Code" button for 8 seconds. "dL" will display on the LED screen indicating all transmitter codes have been deleted. Fig.11)

## SETTINGS & ADJUSTMENTS



### 15. Setting Door Travel

- 15.1 Press and hold the "Set" button until "P1" is displayed on the LED Screen (Fig.12)
- 15.2 Momentarily press the "Set" button. "OP" will be displayed on the LED Screen. Press and hold the "Up" button. The Garage Door will begin to travel in the open direction. The "OP" light will begin to flash. Release the button when the door reaches desired open position. Fine tuning the Garage Door position is possible using the "Up" or "Down" buttons.
- 15.3 Momentarily press the "Set" button. "CL" will be displayed on the LED Screen. Press and hold the "Down" button. The door will begin to travel in the close direction. The "CL" light will begin to flash. Release the button when the door reaches the desired close position. Fine tuning the close position is possible using the "Up" or "Down" buttons.
- 15.4 Momentarily press the "Set" button again to confirm the close limit.
- 15.5 The Garage Door will now open and close automatically for one cycle to map the open and close sensitivity force requirements.
- 15.6 "- -" is displayed to show door travel settings are complete.

### 16. Adjusting Safety Force Sensitivity

- 16.1 Press and hold the "Set" button until "P1" is displayed on the LED Screen (Fig.13)
- 16.2 Momentarily press the "UP" button until "P2" is displayed on the LED Screen.
- 16.3 Momentarily press the "Set" button until the factory setting of "F2" is displayed on the LED Screen.
- 16.4 Press "UP" to increase force and "Down" to decrease force.
- 16.5 Force range is F1 to F9.
- 16.6 Momentarily press "Set" to confirm your force setting.

## SETTINGS & ADJUSTMENTS

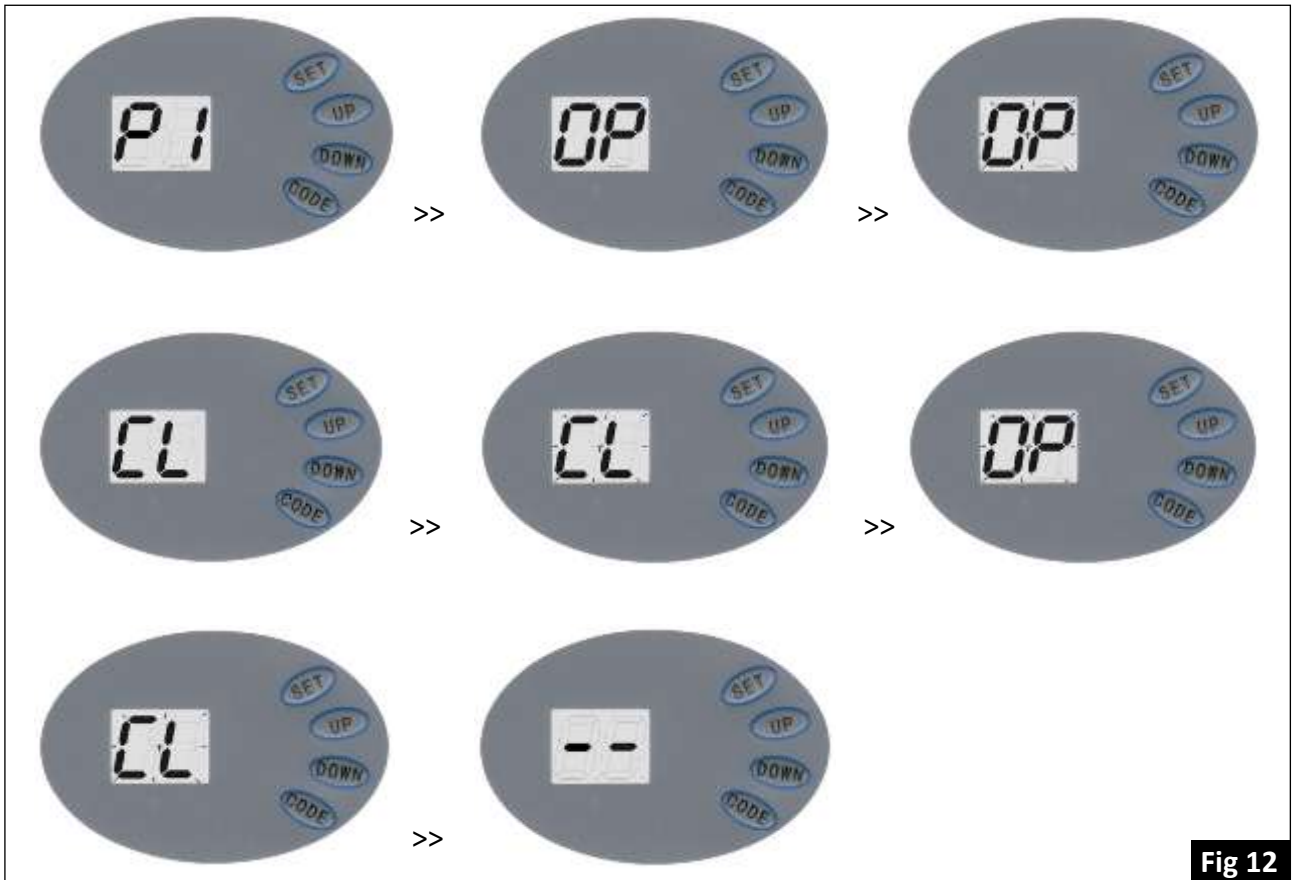


Fig 12

### 17. Testing Close Direction Safety Obstruction Force

- 17.1 With the Garage Door in the Fully Open position stand inside the garage just behind the path of the Garage Door close to its middle position
- 17.2 Place a 40mm thick block of wood perpendicular to, and under the line of the door.
- 17.3 Press the black coloured “Run” button or Transmitter button so that the Garage Door begins to close.
- 17.4 If the Safety Obstruction Force Adjustment is correct upon the Garage Door hitting the block of wood the Opener will stop and then reverse direction.
- 17.5 If the Opener stops but does not reverse then adjust the “Close Force” setting down.

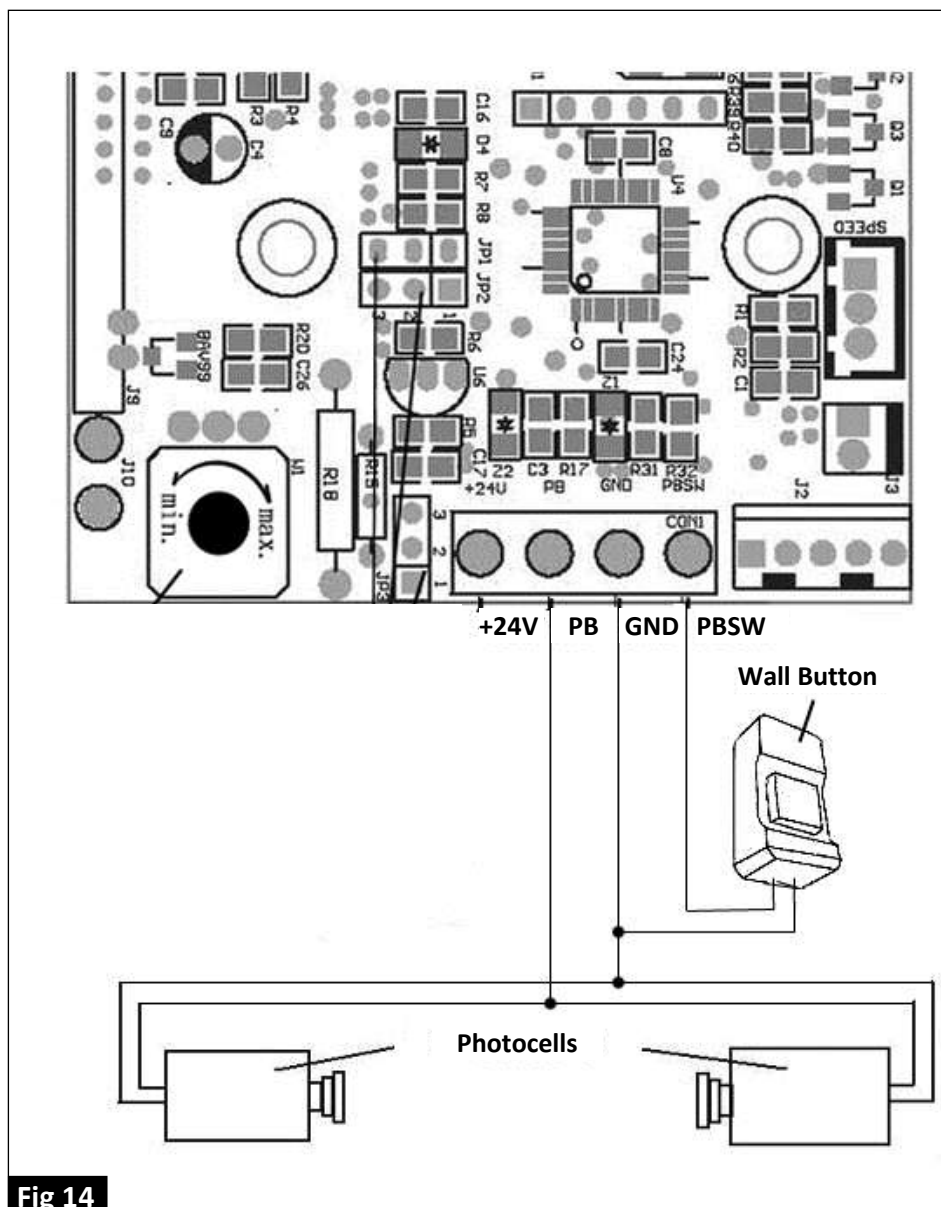


Fig 13

## SETTINGS & ADJUSTMENTS

### 18. Installation of Safety Beams (Optional)

- 18.1 Locate the Safety Beam Mounting Brackets.
- 18.2 Mark the inside door framing so that the bottom edge of the Mounting Brackets sit 125mm off the floor.
- 18.3 Use the 2 mounting screws to fasten each Mounting Bracket to the wall. Do not over tighten the fixing screws as the Mounting Brackets will need to undergo adjustment at a later time.
- 18.4 Use the 2 screws and nuts to fasten the Safety Beams to the Mounting Brackets so that the Indicator Lamp on each Safety Beam is facing upwards.
- 18.5 Using Figure 8 Cable, strip back and connect the 2 strands of one end of the cable to each of the 2 terminals located on the outer cover of each Safety Beam.
- 18.6 Securely fix the cable up and along the wall and run one length of each cable adjacent to the Rear Cover.
- 18.7 Strip back and connect one strand of each cable to the terminals marked "PB" & "GND". (Fig.14)
- 18.8 **Note: Superlift Safety Beam kits contains full instructions on mounting and connecting.**



**Fig 14**



## SETTINGS & ADJUSTMENTS

### 19. Aligning Safety Beams

- 19.1 The “Emitter” safety beam indicator lamp should now be glowing green to indicate the beam is receiving power.
- 19.2 Adjust the “Receiver” safety beam by turning the mounting bracket so that it is aimed directly at the lens of the “Emitter” safety beam. The indicator lamp located along the top edge of the “Receiver” safety beam will glow red once the correct alignment has been achieved.
- 19.3 Test the Safety Beam alignment several times, each time ensuring that when the safety beams are obstructed the red coloured indicator lamp is extinguished, and when unobstructed the indicator lamp glows a solid red.
- 19.4 Firmly tighten the Safety Beam mounting bracket fixing screws.
- 19.5 Installation of Safety Beams is now complete.

### 20. Enabling and Testing Safety Beam Function

- 20.1 To enable Safety Beam function press and hold “Set” button until “P1” is displayed on the LED Screen. (Fig.15).
- 20.2 Press “Up” button twice until “P3” is displayed on the LED Screen.
- 20.3 Momentarily press the “Set” button. If “H0” is displayed Safety Beams are not enabled. Momentarily pressing the “Up or Down” buttons will change the LED to display “H1”. With “H1” displayed, the Safety Beams are enabled.
- 20.4 Initiate a closing cycle on the Opener and as the Garage Door is closing pass any object through the line of the Safety Beams. If the Safety Beams are functioning correctly the Opener should stop and then immediately reverse direction.
- 20.5 If the Garage Door commences a close cycle but within 1 second stops and reverses, check that the Safety Beams are aligned correctly as outlined in points 19.1~19.5.
- 20.6 **Important Note: The Opener will only support the fitment of Superlift Brand 2 wire Safety Beams.**
- 20.7 **Note: If Safety Beams are not fitted, ensure that “H0” is displayed and Safety Beam function is disabled.**

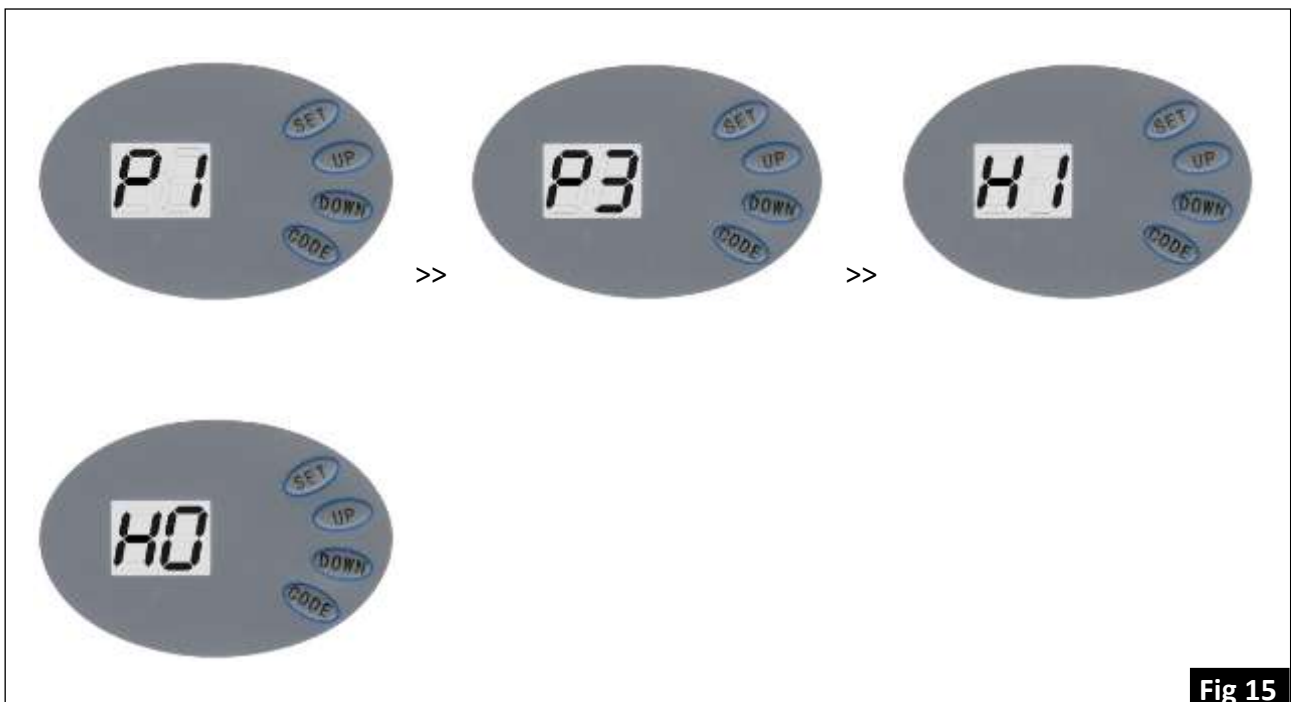


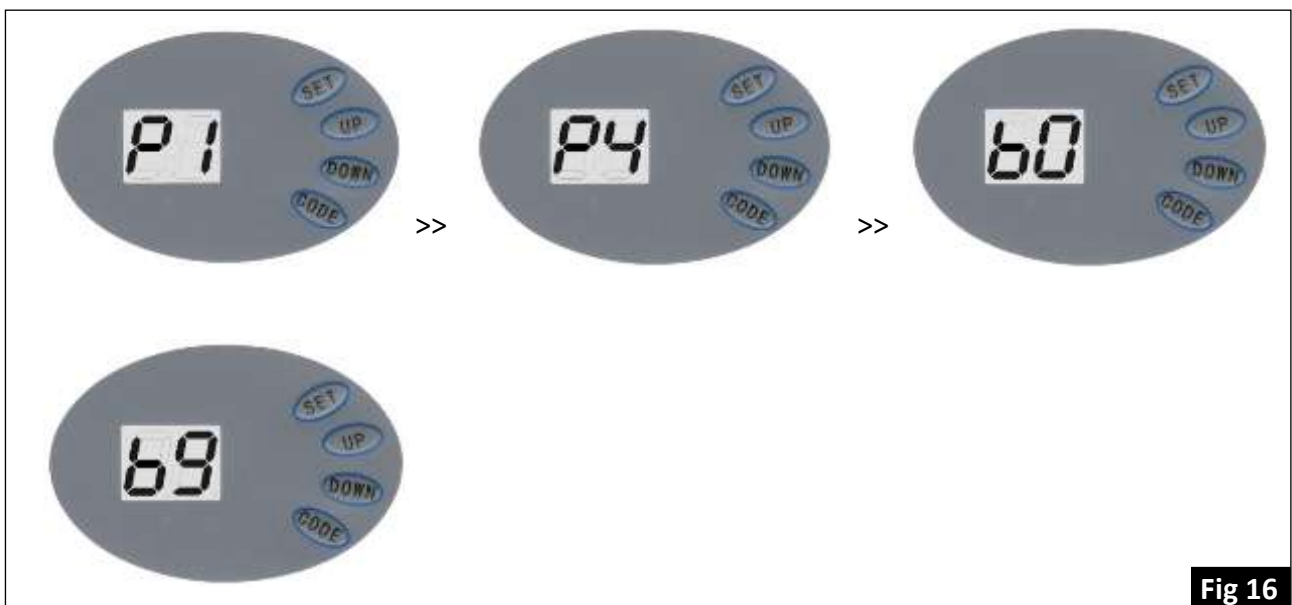
Fig 15



## SETTINGS & ADJUSTMENTS

### 21. Auto Close Mode

- 21.1 In Auto Close Mode the Opener will automatically close at a pre set time after it reaches the fully open position.
- 21.2 To enable the Auto Close function press and hold down the "Set" button until "P1" is displayed on the LED Screen. (Fig.16).
- 21.3 Momentarily press the "Up" button 3 times until "P4" is displayed on the LED Screen.
- 21.4 Momentarily press the "Set" button which will show the current Auto Close setting.
- 21.5 Settings are "b0" (Off) up to "b9". Each number above zero is a minute increment. e.g. "b2" Auto close after 2 minutes.
- 21.6 **Important Note: Auto Close Mode will only work if Safety Beams have been enabled and correctly aligned.**



### 22. Installation of Wall Switch (Optional)

- 22.1 A hard wired Wall Switch (normally open, dry contact) can be connected to the Opener using Figure 8 Cable. Connect the wires to the 2 terminals located under the light cover on the logic board marked "GND" and "PBSW". (Fig.14).
- 22.2 **Important Note: The Wall Switch must be mounted within sight of the door and a reasonable distance away from moving parts. It should be mounted at least 1500mm above the ground and the Entrapment Warning Label must be attached adjacent to and within clear sight of it.**

### 23. Output Terminals

- 23.1 The Opener provides a 24VDC external power supply to support the connection of external accessories. The output terminals are located under the light cover on the logic board marked "24V" & "GND". (Fig.14).

## SETTINGS & ADJUSTMENTS

### 24. Light Bulb Replacement

- 24.1 Switch the power off at the power supply.
- 24.2 Remove the Light Cover located at the front end of the Power Head.
- 24.3 Remove the original Light Bulb. The bulb has a bayonet fitting. Push the bulb in and twist to remove.
- 24.4 Replace with identical 24V, 5W bulb only.
- 24.5 Refit the Light Cover and ensure it is correctly locked into place.

### 25. Transmitter Battery Replacement

- 25.1 Remove the fixing screw located on the underside of the Hand Held Transmitter.
- 25.2 Open the 2 halves of the Transmitter shell and replace the battery with one of identical specification.
- 25.3 Test that the Red Coloured Indicator lamp illuminates when on of the Transmitter buttons is pressed and then replace the fixing screw and sticker.

### 26. Wall Switch - Wireless

- 26.1 The Wireless Wall Switch provides ease of installation without the need for running hard wires to the switch and can be mounted in any convenient location.
- 26.2 The switch can be permanently screwed to the wall through the mounting holes or alternatively "hooked" on the wall, to utilize the convenience of easy demount.
- 26.3 Use the mounting template and instructions provided with the wall switch.
- 26.4 The wireless wall switch may be learned into the opener as per the procedure outline in Sec.14.2, "To code a transmitter"
- 26.5 **Important Note: The wireless Wall Switch must be mounted within sight of the garage door and a reasonable distance away from moving parts. It should be mounted at least 1500mm above the ground.**

### 27. Wall Switch-Wireless Battery Replacement

- 27.1 Remove the cover plate while the unit is still mounted to the wall by sliding and twisting a straight screwdriver in the slot on the underside of the wall plate.
- 27.2 Replace the battery with one of identical specification.
- 27.3 Test that the Red Coloured Indicator lamp illuminates when on of the Transmitter buttons is pressed and then replace the fixing screw and sticker.

## ACCESSORIES

Safety Beams	Part Number: A00C-0000-01
Universal Receiver	Part Number: A00C-0000-00
Wireless Keypad Entry	Part Number: A00C-0000-28
4 Button Hand Transmitter (SDO-3)	Part Number: A02C-0010-03
4 Button Hand Transmitter TX-4	Part Number: A00C-0010-00
Wall Switch-Wireless, 4 Button	Part Number: A00C-0000-16

## TROUBLE SHOOTING GUIDE

SYMPTOM	POSSIBLE CAUSES	REMEDY
<b>Garage Door will not operate</b>	<ul style="list-style-type: none"> <li>* Mains power not turned on</li> <li>* Garage Door is obstructed</li> </ul>	<ul style="list-style-type: none"> <li>* Turn on mains power</li> <li>* Check for obstruction</li> </ul>
<b>Door stops during open cycle before reaching the fully open position</b>	<ul style="list-style-type: none"> <li>* Garage Door may be obstructed.</li> <li>* Garage Door springs may have lost tension</li> <li>* Safety Obstruction Force may need adjustment</li> </ul>	<ul style="list-style-type: none"> <li>* Disengage Opener and check door for free movement</li> <li>* Call serviceman to repair door</li> <li>* Refer to Sec.16 Fig.13.</li> </ul>
<b>Door will not reverse on hitting an object</b>	<ul style="list-style-type: none"> <li>* Safety Obstruction Force setting is too high and may require adjustment.</li> </ul>	<ul style="list-style-type: none"> <li>* Refer to Sec.16 Fig.13</li> </ul>
<b>Door moves downwards and reverses itself upwards</b>	<ul style="list-style-type: none"> <li>* Safety Obstruction Force setting is too light and may require adjustment.</li> <li>* Adverse weather conditions (wind or cold) causing door to stiffen and become tight.</li> <li>* Possible obstruction under door</li> </ul>	<ul style="list-style-type: none"> <li>* Refer to Sec.16 Fig. 13</li> <li>* Disengage Opener and check door for free movement.</li> <li>* Call serviceman to repair door.</li> </ul>
<b>Door operates from Motor Head but not from hand transmitter</b>	<ul style="list-style-type: none"> <li>* Transmitter is damaged or broken</li> <li>* Transmitter Code has not been programmed into the receiver</li> <li>* Moto Head antenna wire not extended.</li> <li>* Battery flat.</li> </ul>	<ul style="list-style-type: none"> <li>* Try an alternate transmitter.</li> <li>* Refer to "Coding Transmitters" Sec.14.</li> <li>* Locate &amp; extend aerial wire</li> <li>* Replace battery. Refer to Sec.25.</li> </ul>
<b>Door stops before reaching open or closed position</b>	<ul style="list-style-type: none"> <li>* Door travel needs adjusting.</li> </ul>	<ul style="list-style-type: none"> <li>* Refer to Sec.15</li> </ul>
<b>Lights malfunction</b>	<ul style="list-style-type: none"> <li>* Globe blown.</li> </ul>	<ul style="list-style-type: none"> <li>*Replace 24Volt 5Watt bayonet globe</li> </ul>
<b>Door Chain/Belt rubbing and causing noise in track</b>	<ul style="list-style-type: none"> <li>* Chain/Belt has lost tension and requires adjusting.</li> </ul>	<ul style="list-style-type: none"> <li>* Adjust chain/Belt. Refer to – Item 4.</li> </ul>
<b>Transmitter Range</b>	<ul style="list-style-type: none"> <li>* Transmitter range is low.</li> </ul>	<ul style="list-style-type: none"> <li>* Battery flat and needs replacing. Refer to Sec.25.</li> </ul>

